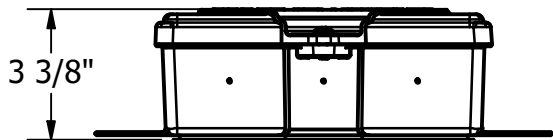
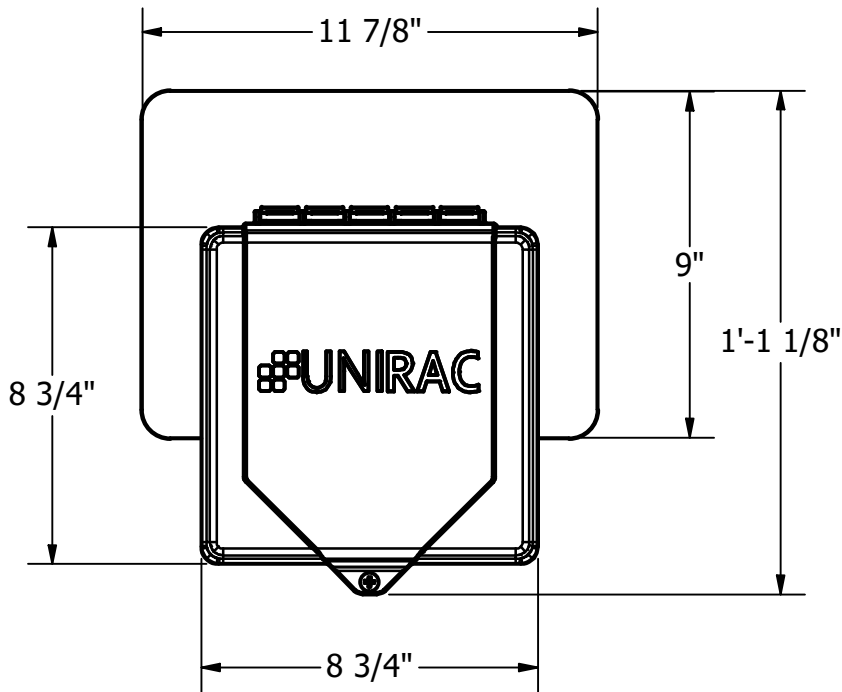
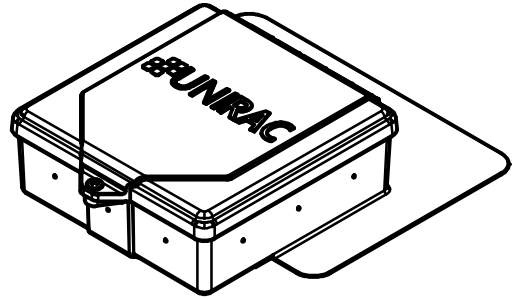


PART # TABLE	
P/N	DESCRIPTION
SOLOBOX2-D	SOLOBOX COMP W/ DIN RAIL



SEE ALSO SHEET EB-A06A



1411 BROADWAY BLVD. NE  
 ALBUQUERQUE, NM 87102 USA  
 PHONE: 505.242.6411  
 WWW.UNIRAC.COM

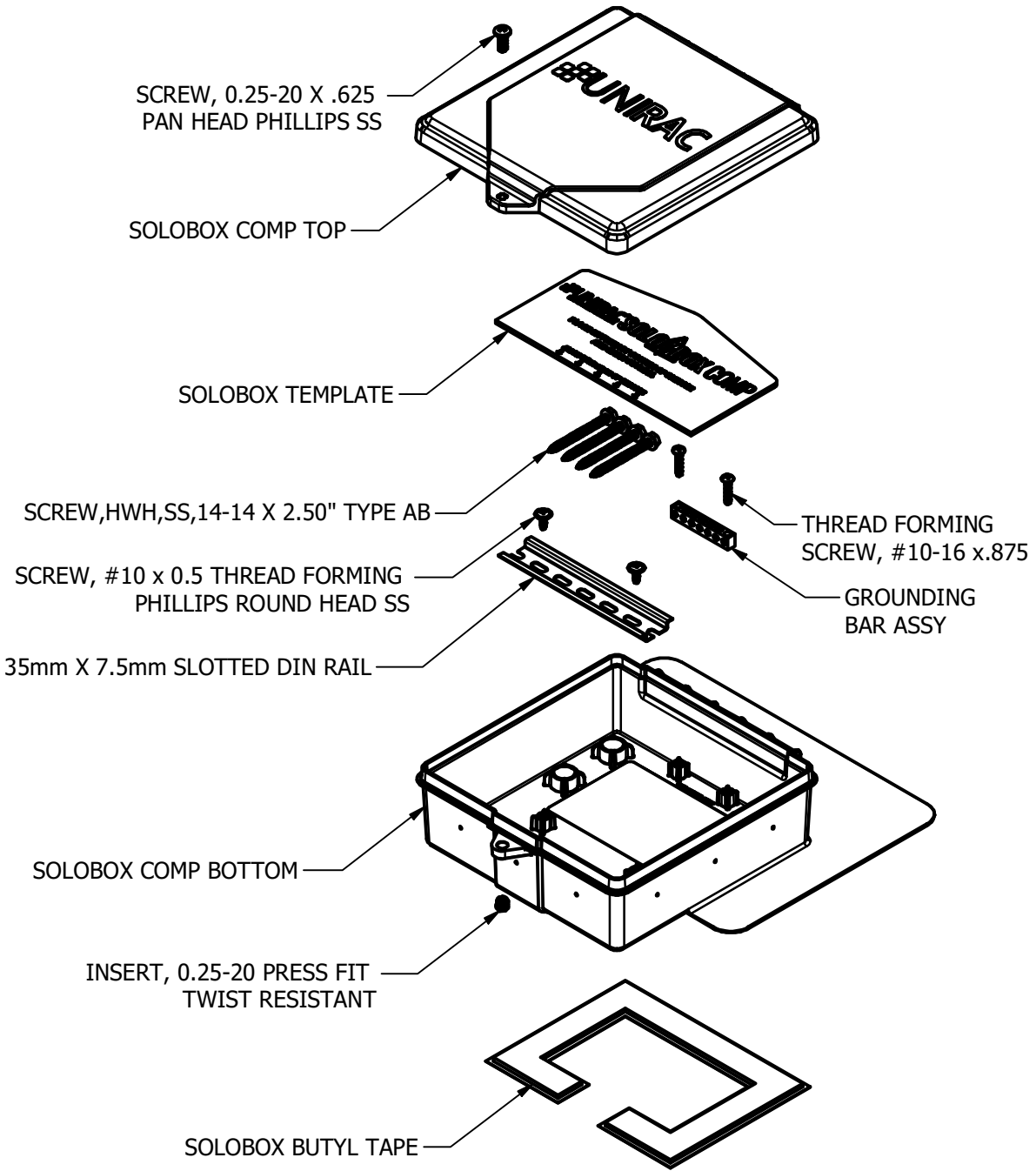
PRODUCT LINE:	E-BOSS
DRAWING TYPE:	PARTS ASSEMBLY
DESCRIPTION:	SOLOBOX COMP
REVISION DATE:	4/2/2024

DRAWING NOT TO SCALE  
 ALL DIMENSIONS ARE  
 NOMINAL

PRODUCT PROTECTED BY  
 ONE OR MORE US PATENTS  
 LEGAL NOTICE

EB-A06  
 SHEET

PART # TABLE	
P/N	DESCRIPTION
SOLOBOX2-D	SOLOBOX COMP W/ DIN RAIL



SEE ALSO SHEET EB-A06



1411 BROADWAY BLVD. NE  
ALBUQUERQUE, NM 87102 USA  
PHONE: 505.242.6411  
WWW.UNIRAC.COM

PRODUCT LINE:	E-BOSS
DRAWING TYPE:	PARTS ASSEMBLY
DESCRIPTION:	SOLOBOX COMP
REVISION DATE:	4/2/2024

DRAWING NOT TO SCALE  
ALL DIMENSIONS ARE  
NOMINAL

PRODUCT PROTECTED BY  
ONE OR MORE US PATENTS  
LEGAL NOTICE

EB-A06A

SHEET