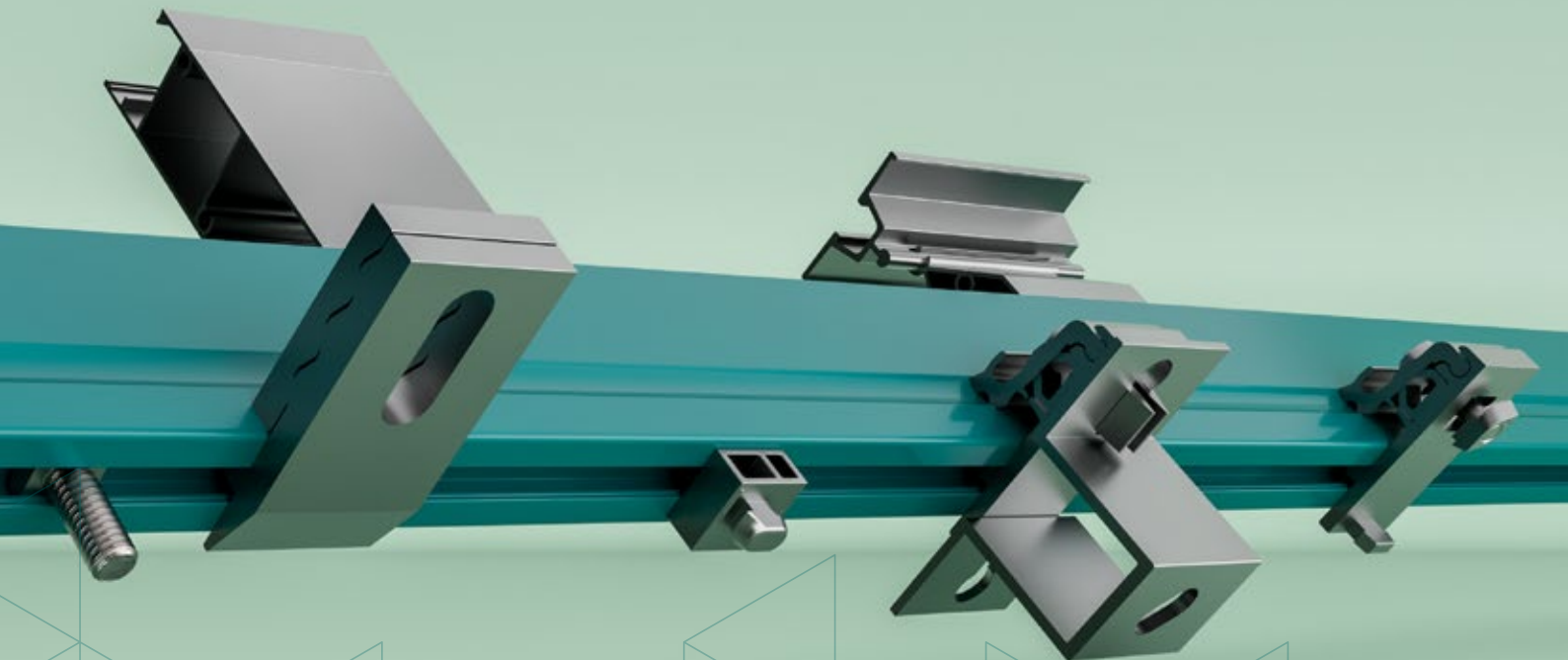


**SCHLETT**

# PRODUCT CATALOG

2023/3



**NA**

## GENERAL INFORMATION

### **MATERIALS:**

Roof hooks and their main components:  
High-grade steel with zinc flake coating, stainless steel 1.4301 or aluminum

Screws:  
Stainless steel A2 or better

Sheet metal parts:  
Stainless steel 1.4301 or aluminum

Module clamps:  
Aluminum

Rubber seal:  
EPDM gasket (UV-resistant)

Deviating materials are described with the individual items.

### **PLANNING AID:**

Configuration and structural dimensioning with the Schletter Configurator.

### **STRUCTURAL ANALYSIS:**

Static calculation according to the current country-specific standards.  
Structural analysis supplement for the dimensioning of the number of required fastening points, based on the structural analysis. Please make sure you observe the structural analysis information in each case. The verification of the adhesive force of the roof to the substructure is not included in the general structural analysis appendices.

### **TOLERANCES:**

Production-specific tolerances are to be considered with all dimension specifications.

### **GLOBAL DISTRIBUTION NETWORK:**

On customer request, all companies in the Schletter Group can obtain goods from other branches.

# TABLE OF CONTENTS

## PRODUCT CATALOG

Brochures and software	6
<b>UNIVERSAL FASTENERS</b>	<b>8</b>
Rapid <sup>2+</sup> Pro	10
<b>SPECIAL FASTENERS</b>	<b>12</b>
Pro sheet metal seam clamps	14
Trapezoidal sheet connection	16
Special fasteners for roofs with steel substructure	18
Special fasteners for roofs with wood substructure	19
Accessories	20
<b>MODULE CLAMPS</b>	<b>22</b>
Module clamps for framed modules	24
Clamp accessories	25
<b>PROFILES</b>	<b>26</b>
Pro module support and mounting profiles	28
Profile accessories	30
FixZ Pro	32
<b>LOAD OPTIMIZED FLAT ROOF SYSTEMS</b>	<b>34</b>
FixGrid Pro	36
FlatGrid Pro	38
<b>PVMAX 3</b>	<b>42</b>
PvMax 3 Aluminum	44
<b>SCREWS AND SMALL PARTS</b>	<b>46</b>
Screws and small parts	48



# WE SUPPORT SOLAR.

AT SCHLETTER, WE BELIEVE THAT ANY ENTERPRISE, BIG OR SMALL, CAN ONLY BENEFIT FROM PASSIONATE SUPPORT.

And if ever there were an industry worth supporting, it's solar. Which is why we care about the success of every solar company, including yours.

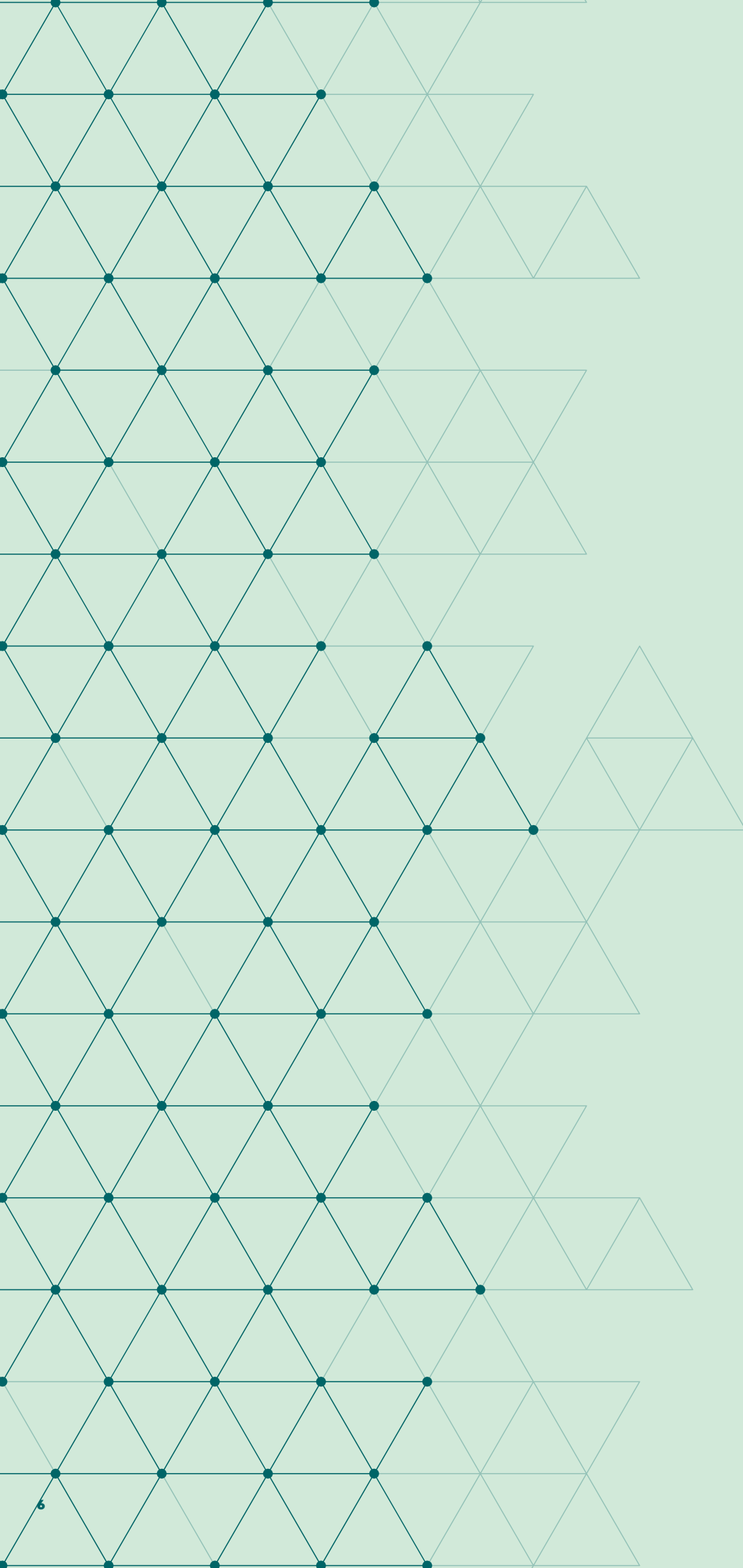
We're here to urge you forward and support your initiative with products engineered to ensure the success of your projects - which will change our lives, and the planet, for the better.

If you don't deserve our support, who does?



**WATCH OUR NEW  
BRAND FILM**

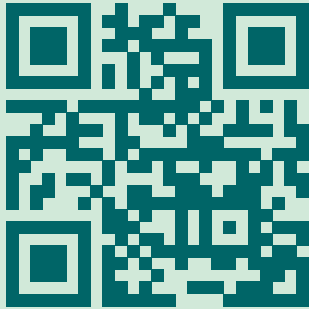




# BROCHURES AND SOFTWARE

## PRESENTATION

The latest brochures, product sheets, mounting instructions and further technical information as well as software can always be found in the download area of [www.schletter-group.com](http://www.schletter-group.com).



[WWW.SCHLETTER-GROUP.COM](http://WWW.SCHLETTER-GROUP.COM)



---

## NEW SERIES IDENTIFICATION

We would like to make it easier for you to select the products by using the icons. At a glance, you can see which item fits which system. Of course, our expert technicians will continue to be at your disposal should you have any questions in this regard.



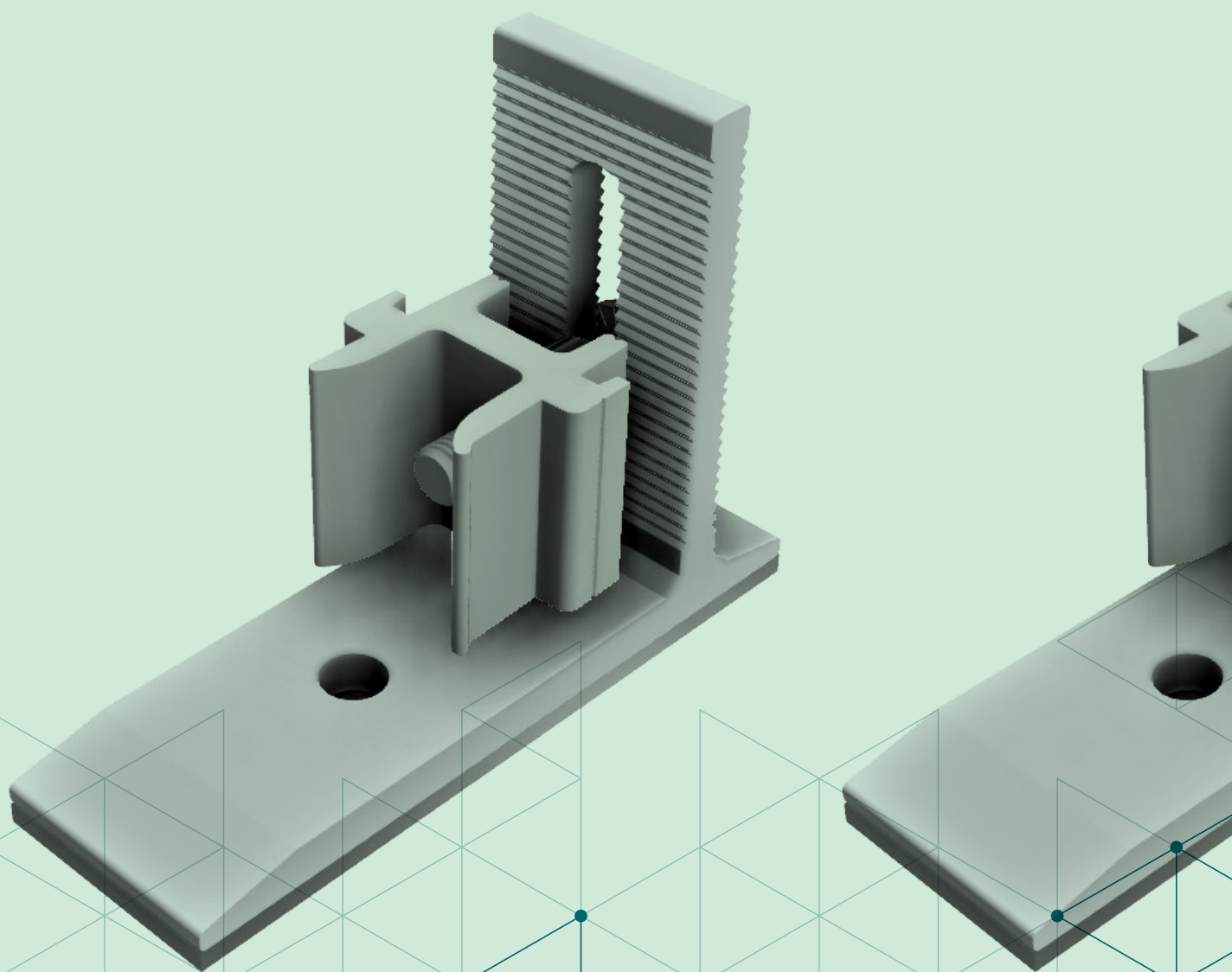
**COMPATIBLE WITH OUR  
CLASSIC SERIES**



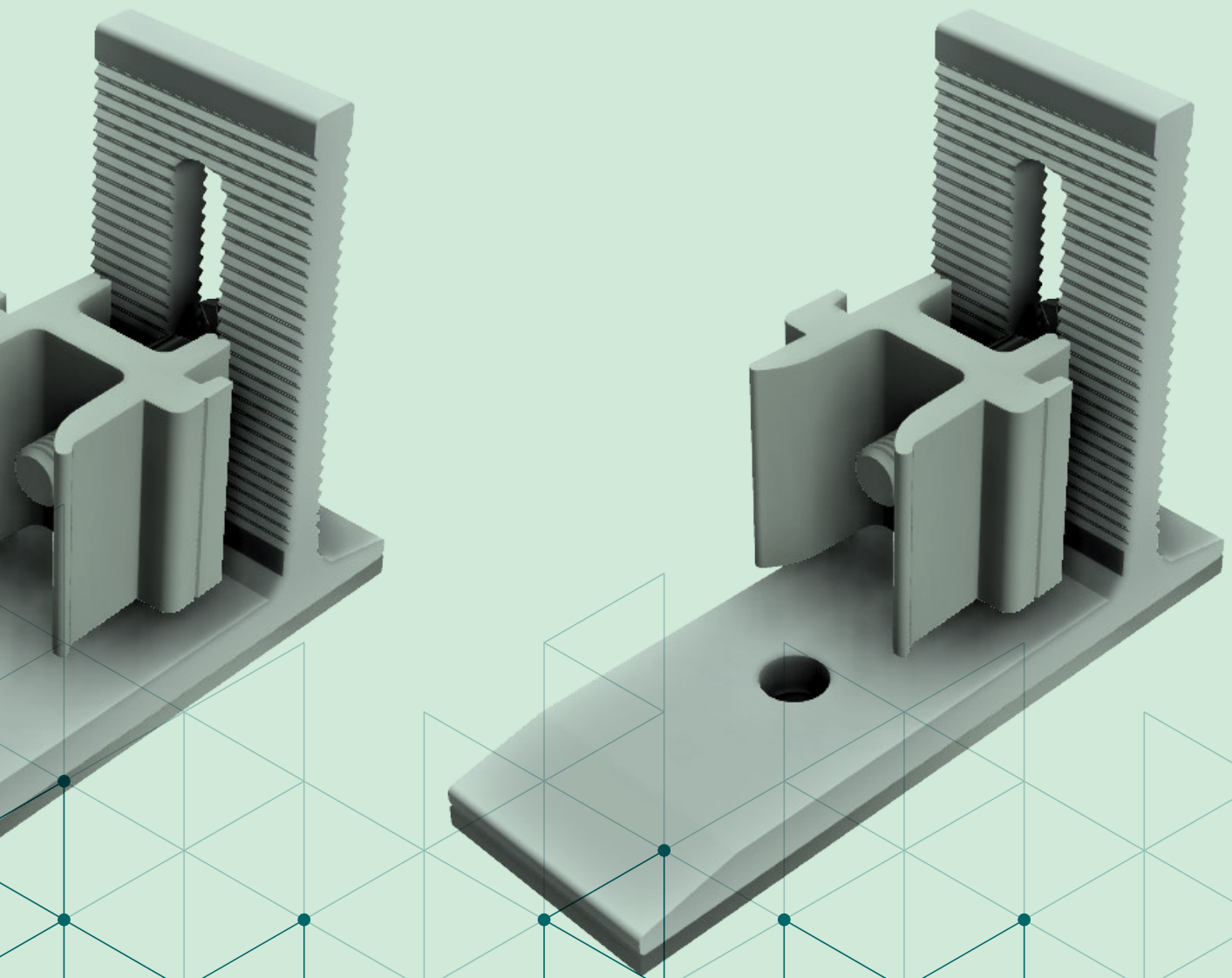
**COMPATIBLE WITH OUR  
PROLINE SERIES**

# UNIVERSAL FASTENERS

+ RAPID<sup>2+</sup> PRO



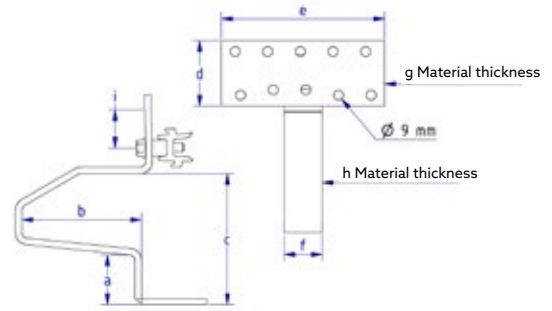




# RAPID<sup>2+</sup> PRO

## UNIVERSAL FASTENERS

- Roof hooks
- Stainless steel quality
- Welded symmetric bar arrangement
- Pre-assembled



101001-020 Rapid <sup>2+</sup> Pro 45 roof hooks										
	a	b	c	d	e	f	g	h	i	
mm	45	110	118	60	150	35	5	6	30	PU: 20

Comparable with: Eco S 100004-000.



101002-020 Rapid <sup>2+</sup> Pro 35 roof hooks										
	a	b	c	d	e	f	g	h	i	
mm	35	110	108	60	150	35	5	6	30	PU: 20

Like 101001-020, but 35 mm / 1.38-inch fork height for low battens.



101004-020 Rapid <sup>2+</sup> Pro Universal roof hooks										
	a	b	c	d	e	f	g	h	i	
mm	40-52	110	115-127	74	150	35	5	6	30	PU: 10

Universally adjustable, for vertical rail mounting - comparable with: Universal 100001-000.



101005-020 Rapid <sup>2+</sup> Pro Max roof hooks										
	a	b	c	d	e	f	g	h	i	
mm	45	120	125	80	150	35	6	8	30	PU: 10

Like 101001-020, but bar 35 x 8 mm / 1.38 x 0.31 inches for heavy snow loads.



101005-021 Rapid <sup>2+</sup> Pro Max 150 roof hooks										
	a	b	c	d	e	f	g	h	i	
mm	45	150	125	80	150	35	6	8	30	PU: 10

Like 101005-020, but measure b 150 mm.



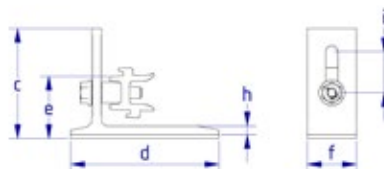
101006-020 Rapid <sup>2+</sup> Pro MaxV roof hooks										
	a	b	c	d	e	f	g	h	i	
mm	45	120	125	80	150	35	6	8	30	PU: 10

Like 101005-020, but for vertical rail mounting.



## RAPID<sup>2+</sup> PRO SML

For mounting on the metal shingle



<b>119026-102</b>	Rapid2+ Pro SML roof hooks								PU: 20
	a	b	c	d	e	f	g	h	i
<b>mm</b>	-	-	78	105	45	35	-	6	29



## FIX T-K PRO

The innovative fastener for bitumen roofs on wood casings.



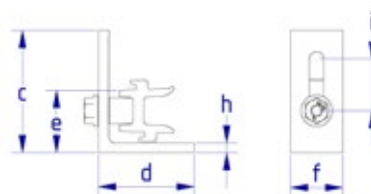
<b>119014-212</b>	Fix T-K Pro	PU: 50
-------------------	-------------	--------

**PLEASE NOTE:** Accessories 973000--041 EPDM rubber (page 78)



## RAPID PRO L

Angle attachment for connecting profiles of the ProLine series



<b>119026-122</b>	RapidPro L								PU: 100
	a	b	c	d	e	f	g	h	i
<b>mm</b>	-	-	70	55	36	30	-	5.5	29

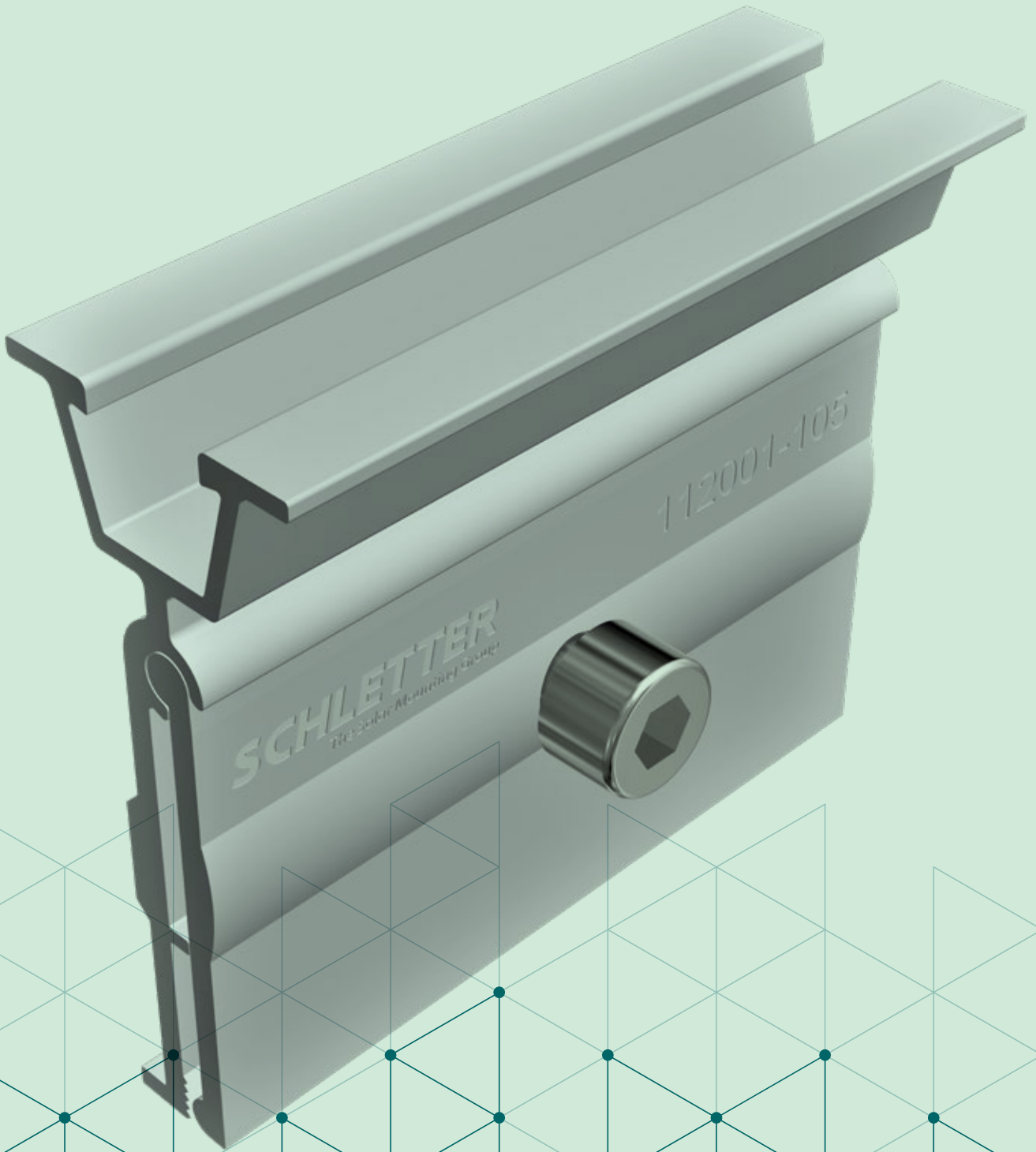


<b>109008-023</b>	RapFix Pro	PU: 50
Especially for roof hooks that are not available as a Rapid version		



# SPECIAL FASTENERS


- + PRO SHEET METAL SEAM CLAMPS
- + TRAPEZOIDAL SHEET CONNECTION
- + SPECIAL FASTENERS FOR ROOFS WITH STEEL SUBSTRUCTURE
- + SPECIAL FASTENERS FOR ROOFS WITH WOODEN SUBSTRUCTURE
- + SPECIAL FASTENERS ACCESSORIES




# PRO SHEET METAL SEAM CLAMPS

## SPECIAL FASTENERS

### SHEET METAL SEAM CLAMPS PRO

		
<b>112001-105</b>	Pro 503 seam clamp for standing seam roof	PU: 50

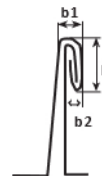



		
<b>112001-110</b>	Pro 504 seam clamp for standing seam roof Especially suitable for double standing seam roofs made of titanium zinc sheet	PU: 50



Possible dimensions of the border fold (dimension drawing)  
 $h = 11 - 13 \text{ mm}$ ,  $b_1 = 4 - 6 \text{ mm}$ ,  $b_2 = \text{max. } 3 \text{ mm}$


The 504 seam clamp was developed together with the Rheinzink company for use on double standing seam roofs made of titanium zinc sheet and approved by Rheinzink. The profiles mounted on the standing seam clamps must not exceed a length of about 3 m without thermal separation.



		
<b>112002-103</b>	Seam clamp Pro 510; especially suitable for standing seam roofs from Kalzip <sup>®</sup> *, Bemo*	PU: 50



\*All trademarks mentioned herein are the property of the respective owners.

		
<b>112003-103</b>	Seam clamp Pro 520 Zambelli RibRoof 465 and similar	PU: 50







**INFORMATION:** The tightening torque must be limited so that the sheet metal seam does not become distorted and the thermal expansion of the sheets is not prevented.



# PRO SHEET METAL SEAM CLAMPS

## SPECIAL FASTENERS

### SHEET METAL SEAM CLAMPS PRO


			
<b>112004-102</b>	Seam clamp Pro 522 for Zambelli RibRoof 500 and similar		PU: 50
			
<b>112006-102</b>	Seam clamp Pro 524 for Fischer KlipTec and similar		PU:50
			
<b>112012-107</b>	Seam clamp Pro 551 for KlipLok 700 / 406 For KlipLok 700 HiStrength, KlipTite and similar		PU: 100
			
<b>112012-112</b>	Seam clamp Pro 562 Universal		PU: 50

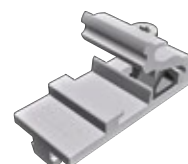


### ATTACHMENT FOR SEAM CLAMPS PRO

			
<b>129063-002</b>	RapidConnect90		PU: 100

or:

			
<b>129063-020*</b>	Rapid cross connector 90 Pro Completely pre-assembled for ProLine channel For ProLine series cross rail systems		PU: 150



### ATTACHMENT FOR SEAM CLAMPS PRO OF OTHER SUPPLIERS

			
<b>109008-024</b>	RapFix Pro - Attachment flat		PU: 50






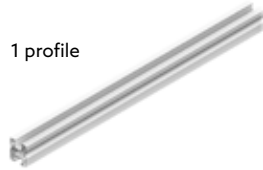
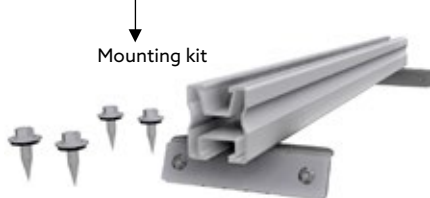


# TRAPEZOIDAL SHEET CONNECTION

## SPECIAL FASTENERS

### SINGLEFIX

The universal trapezoidal sheet fastener for steel and aluminum sheet from 0.5 mm. Pay special attention to the usage notes.

<b>113009-003</b>	SingleFix Pro for corrugation heights from 22 mm (1 piece) Screws must be ordered separately as needed (2 pieces for each SingleFix Pro)	 	PU: 100	
				2 pieces
				+
<b>943000-360</b>	Thin sheet metal screw 6.0 × 25 A2 with sealing washer With ETA, ETN and MCS012 approval.		PU: 100	
				4 pieces
				+
				1 profile
<b>120020-00450</b>	Pro 35 450 mm (1.48') module support profile		PU: 50	
				




# TRAPEZOIDAL SHEET CONNECTION

## SPECIAL FASTENERS

### CLAMPFIT PRO

The cost-optimised trapezoidal sheet fastener system for steel and aluminum sheet from 0.5 mm. Pay special attention to the usage notes.

		
<b>130004-300</b>	ClampFit Pro - Screws must be ordered separately as needed (2 pieces/ClampFit Pro)	PU: 100
<b>943000-360</b>	Thin sheet metal screw 6,0 × 25 A2 with sealing washer With ETA, ETN and MCS012 approval.	PU: 100



+



# SPECIAL FASTENERS FOR ROOFS WITH STEEL SUBSTRUCTURE

ROOF COVER: CORRUGATED ROOFS & TRAPEZOIDAL SHEET

## THREADED SCREW, SELF-GROOVING, A2



<b>943763-064</b>	6.3 x 64	PU: 100
<b>943763-115</b>	6.3 x 115	PU: 100
<b>943763-150</b>	6.3 x 150	PU: 100
<b>943763-200</b>	6.3 x 200	PU: 50

The mounting points must be pre-drilled with Ø 5 mm.



<b>119033-002</b>	Uno M8 universal adapter	PU: 50
<b>119005-000</b>	Seal cap corrugated sheet 5 / 6 / 8	PU: 50
<b>119004-003</b>	Spacer sleeve AL 995 x 20*	PU: 30

Rapid cross connectors (item 129063-000), Rapid Pro cross connectors (129063-010) and threaded screws must be ordered separately.  
\*The required lengths must be cut to size on site.

+ Adapter = ready to use fastening systems



## FIXING ON STEEL PURLINS



<b>119033-002</b>	Uno M8 universal adapter	PU: 50
<b>119005-001</b>	Universal calotte with EPDM	PU: 50

Rapid cross connectors (item 129063-000) and Rapid Pro cross connectors (129063-010) must be ordered separately.

+ Adapter = ready to use fastening systems



## DOUBLE FIXING ON STEEL PURLINS



<b>119033-002</b>	Uno M8 universal adapter	PU: 50
<b>119005-001</b>	Universal calotte with EPDM	PU: 50

For each mounting point, two threaded screws must be calculated. Additionally, the upper profile and the necessary mounting screws must be considered.



x 2



x 2



"CLASSIC" PROFILE





"PROLINE" PROFILE

# SPECIAL FASTENERS FOR ROOFS WITH WOOD SUBSTRUCTURE



ROOF COVER: CORRUGATED ROOFS & TRAPEZOIDAL SHEET

## HANGER BOLT

		 
<b>110210-200</b>	Hanger bolt set: 10 × 200, mounted	PU: 50
<b>110212-200</b>	Hanger bolt set: 12 × 200, mounted	PU: 50
<b>110212-300</b>	Hanger bolt set: 12 × 300, mounted	PU: 50



Hanger bolt set pre-assembled with vulcanized EPDM seal (UV resistant) and 3 flange nuts in V4A, mounted.

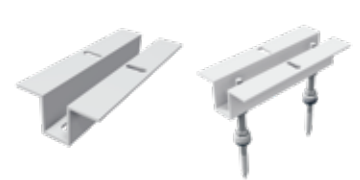




		 
<b>119001-020</b>	KlickTop Pro extension part for hanger bolt For hanger bolts M10 / M12, loose, aluminum	PU: 50

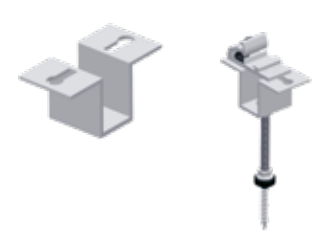
+ Adapter = ready to use fastening systems



		 
<b>119033-004</b>	Universal adapter Duo M10 / M12 For hanger bolts M10 / M12, loose, aluminum	PU: 50



		 
<b>119033-001</b>	Universal adapter Uno M10 / M12 For hanger bolts M10 / M12, loose, aluminum	PU: 50



Rapid cross connectors (item 129063-000) and Rapid Pro cross connectors (item 129063-010) must be ordered separately.

**INFORMATION:** For corrugated sheets (such as those of fiber cement) or trapezoidal sheet roofs, corrugated roof fastening sets consisting of a special hanger bolt with EPDM seal and a mounting plate are used. Please note that illustrations and thread lengths may vary.

# ACCESSORIES

## SPECIAL FASTENERS

### FIXPLAN - IN CONNECTION WITH HANGER BOLTS

The alternative for level sheet metal roofs for which fastening on the fold is not possible (e.g. titanium zinc sheet roofs).

<b>114003-000</b>	FixPlan sealing plate	PU: 50
<b>114004-000</b>	Bituplan additional seal for FixPlan For mounting with bitumen coverings	PU: 100



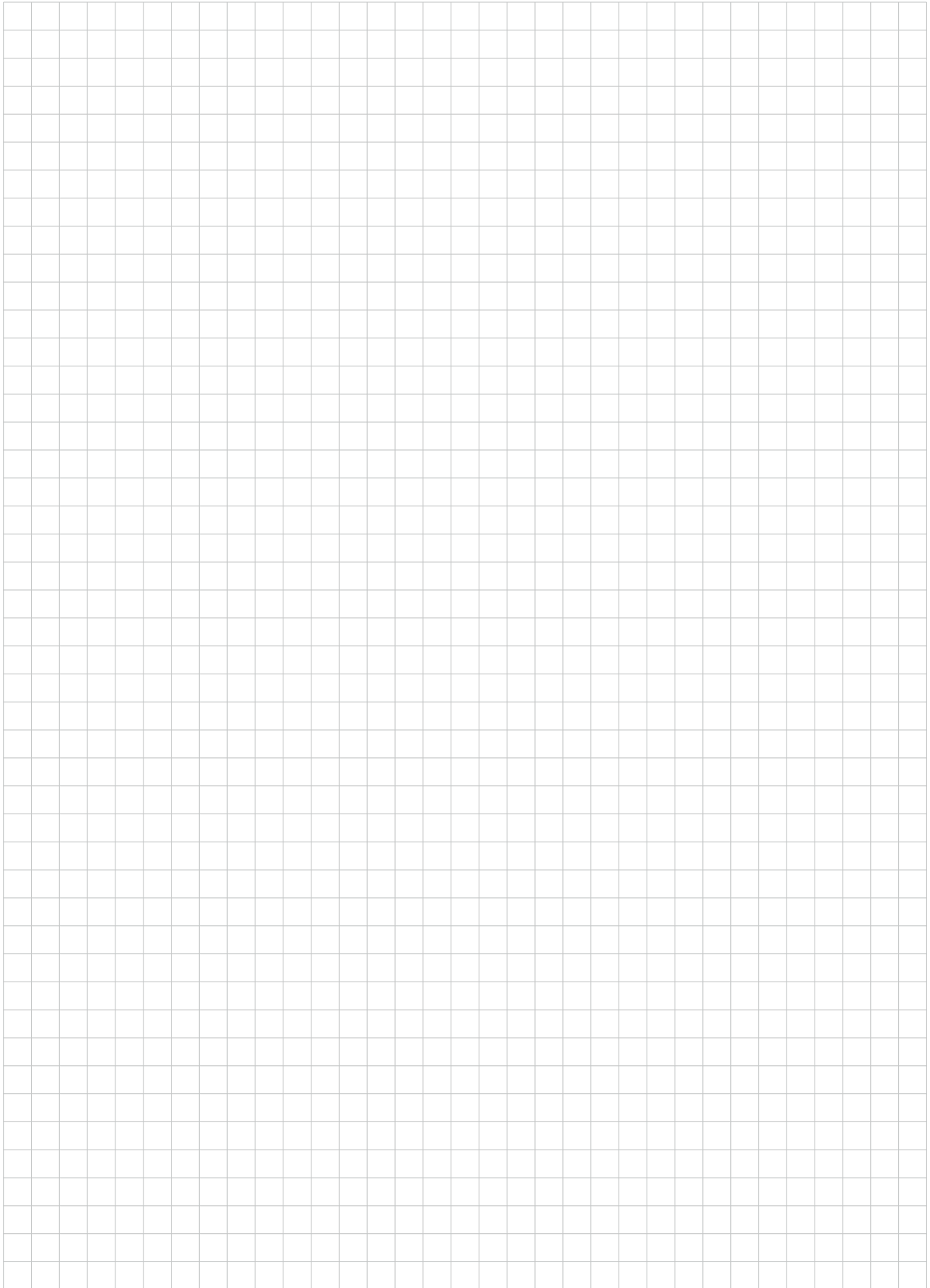
### SLATEPLAN FOR ATTACHMENT WITH HANGER BOLTS

SlatePlan can be used on roofs with shingle covers, such as from bitumen, fiber cement or slate, for connection by hanger bolt systems.

<b>109017-000</b>	SlatePlan with seal: 270 × 200 × 0.5 mm	PU: 50
<b>109017-001</b>	SlatePlan with seal: 370 × 200 × 0.5 mm	PU: 50

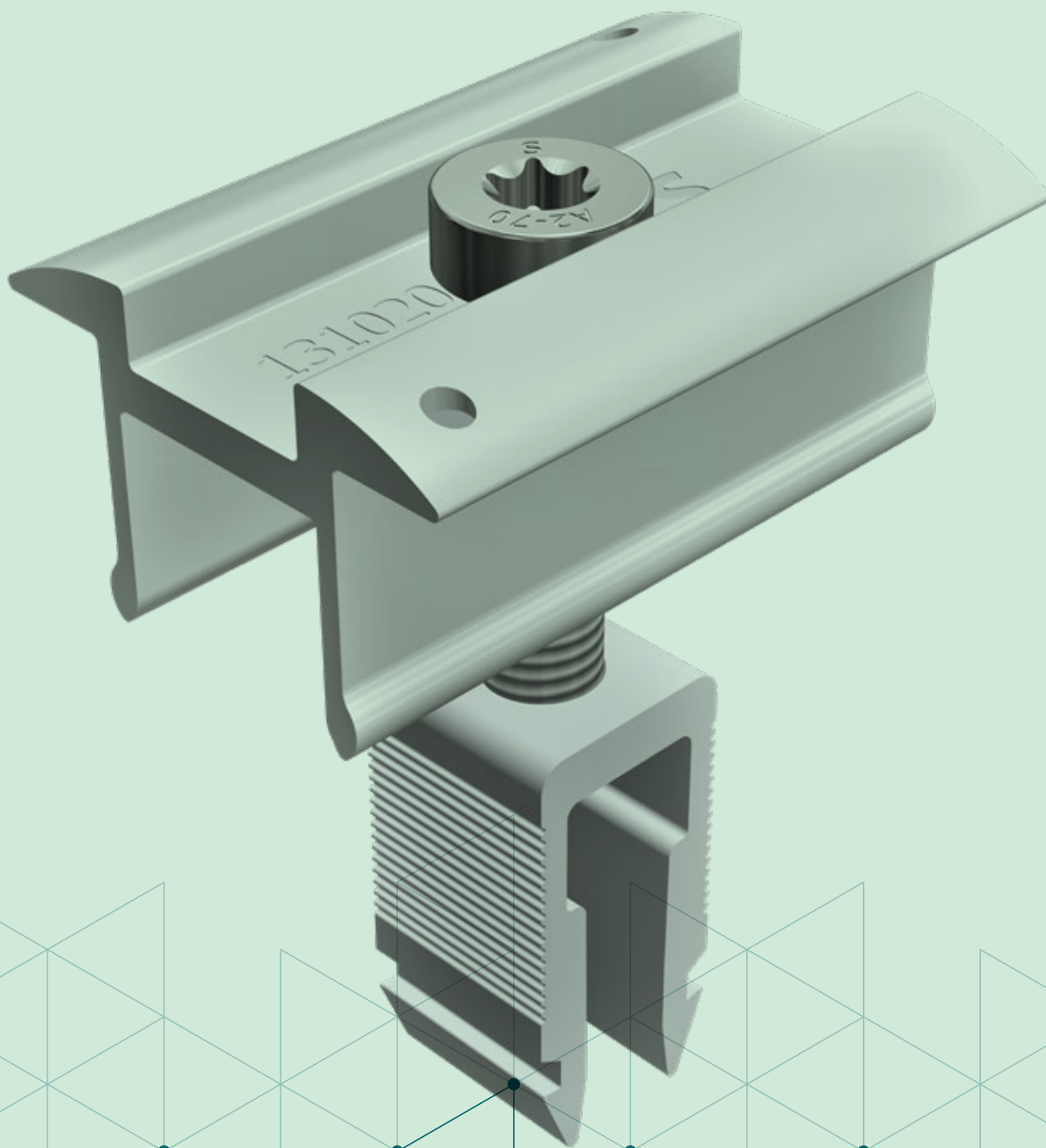


# NOTES



# MODULE CLAMPS

- + RAPIDPRO MODULE CLAMPS
- + RAPID16 MODULE CLAMPS
- + CLAMP ACCESSORIES



# MODULE CLAMPS FOR FRAMED MODULES

## MODULE CLAMPS

### PROLINE AL MODULE CLAMP SYSTEM

- Clamping length: 50 x 7 mm
- Clamping height: 30 - 47 mm
- Only for profiles of the ProLine series.



AL BLANK	ITEM NAME	INSTALLATION TYPE
<b>131020-001</b>	RapidPro center clamp	V + H PU: 100



<b>131020-000</b>	RapidPro end clamp	V + H PU: 50
-------------------	--------------------	--------------



BLACK ANODIZED		INSTALLATION TYPE
<b>131020-901</b>	RapidPro center clamp	V + H PU: 100



<b>131020-900</b>	RapidPro end clamp	V + H PU: 50
-------------------	--------------------	--------------



### RAPID16 AL MODULE CLAMP SYSTEM, CLAMPING LENGTH: 50 MM



AL BLANK	BLACK ANODIZED	ITEM NAME	INSTALLATION TYPE
<b>131121-001</b>	<b>131121-901</b>	Center clamp Rapid16 30 - 40	V + H PU: 100



<b>131101-001</b>	<b>131101-901</b>	End clamp Rapid16 30 - 40	V PU: 50
-------------------	-------------------	---------------------------	----------




<b>131101-003</b>	<b>131101-903</b>	End clamp Rapid16 30 - 40	H PU: 50
-------------------	-------------------	---------------------------	----------








# CLAMP ACCESSORIES

## MODULE CLAMPS

<b>AL BLANK</b>		
<b>139004-000</b>	Bearing plate for Eco module clamp For raising the bearing surface	PU: 200
<b>AL BLANK</b>		
<b>139008-006</b>	Safety hooks, laminate 3 - 8 mm	PU: 100



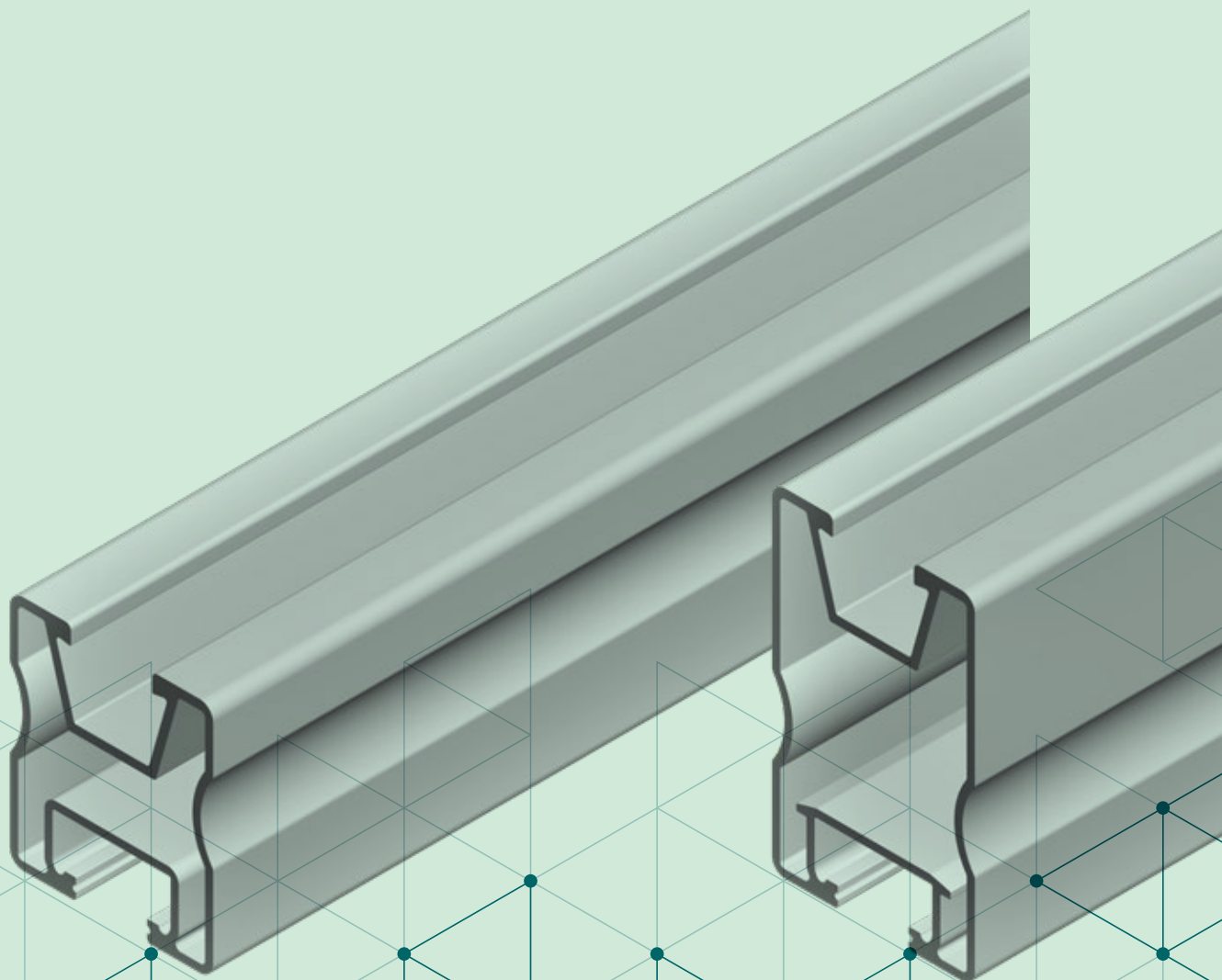
## LIGHTNING PROTECTION AND EQUIPOTENTIAL BONDING

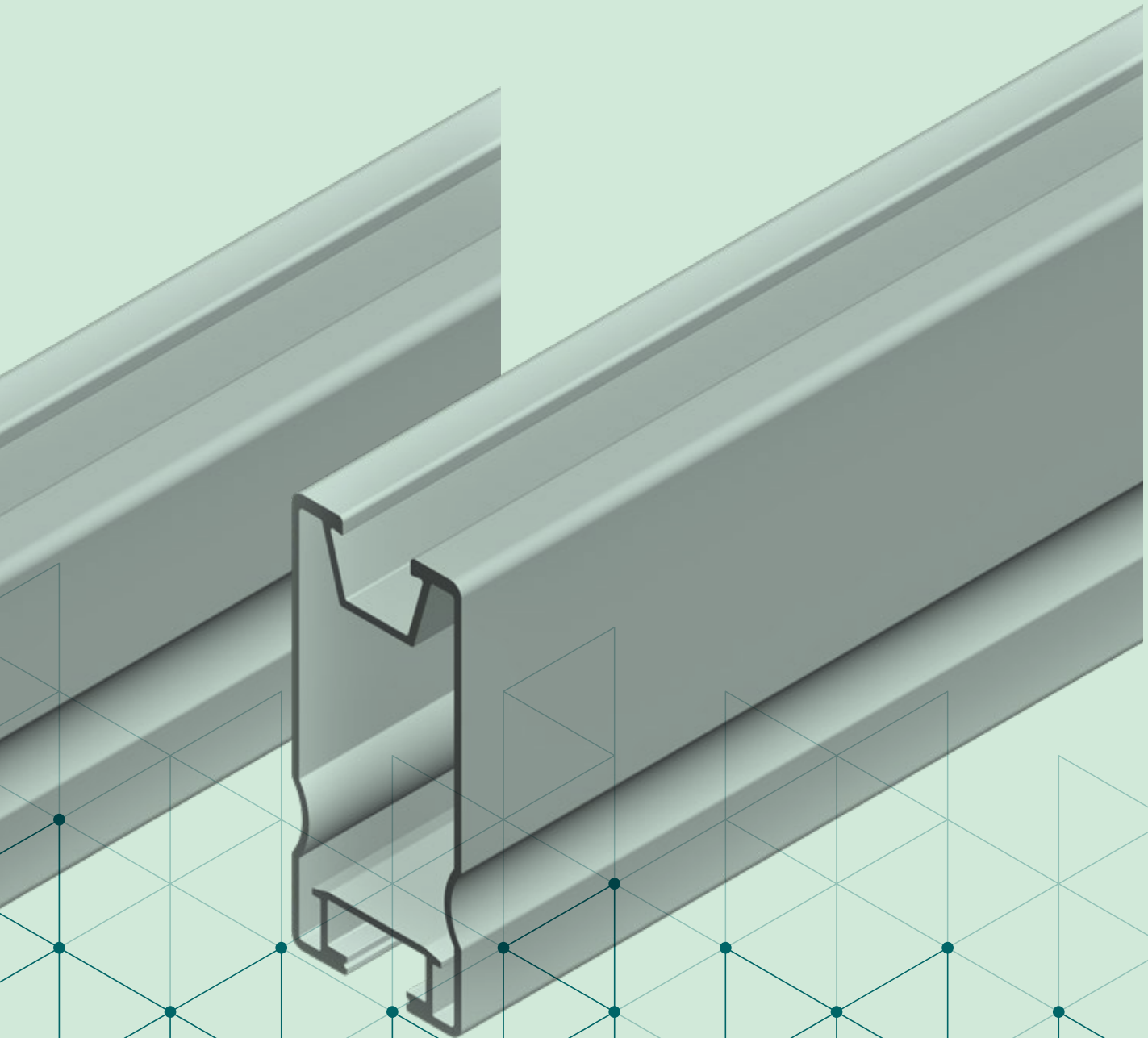
		 
<b>135003-000</b>	Lightning protection clamp for 8 mm AL completely pre-assembled (for DM 8 mm wiring)	PU: 20
		
<b>135003-022</b>	Grounding and lightning protection clamp A2 Pro M8 Clamping range Rd 8 - 10 mm Connection single/multi-wire 4 - 50 mm <sup>2</sup>	PU: 20
<b>119015-002</b>	Punched mounting tape 6 - Reel with 50 m	PU: 1



# PROFILES

- + MODULE SUPPORT AND MOUNTING PROFILES
- + PROFILE ACCESSORIES
- + FIXZ PRO





# PRO MODULE SUPPORT AND MOUNTING PROFILES

## PROFILES

The profile of the new ProLine series with the fitting accessories. Can be combined with roof hooks, connectors and clamps of the ProLine series.

- Structural analysis tables for cross beams
- Load determination software on the Internet: [www.schletter-group.com](http://www.schletter-group.com) (Services/Configurator)

### PRO 35 MODULE SUPPORT PROFILE

MECHANICAL CONNECTION

Upper: KlickNut Pro

Lower: Screw channel M10



#### AL BLANK

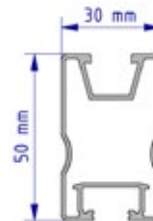
<b>120020-02400</b>	2400 mm	7.87'	PU: 50
<b>120020-04800</b>	4800 mm	15.75'	

### MODULE SUPPORT PROFILE PRO50

MECHANICAL CONNECTION

Upper: KlickNut Pro

Lower: Screw channel M10



#### AL BLANK

<b>120021-02450</b>	2450 mm	8.03'	
<b>120021-03550</b>	3550 mm	11.64'	
<b>120021-04800</b>	4800 mm	15.75'	PU: 50
<b>120021-05900</b>	5900 mm	19.35'	
<b>120021-006</b>	6000 mm	19.70'	

# PRO MODULE SUPPORT AND MOUNTING PROFILES

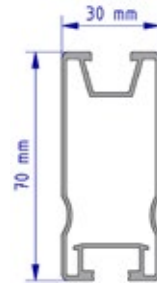
## PROFILES

### MODULE SUPPORT PROFILE PRO70

MECHANICAL CONNECTION

Upper: KlickNut Pro

Lower: Screw channel M10



**AL BLANK**















**120022-006**

6000 mm

19.70'

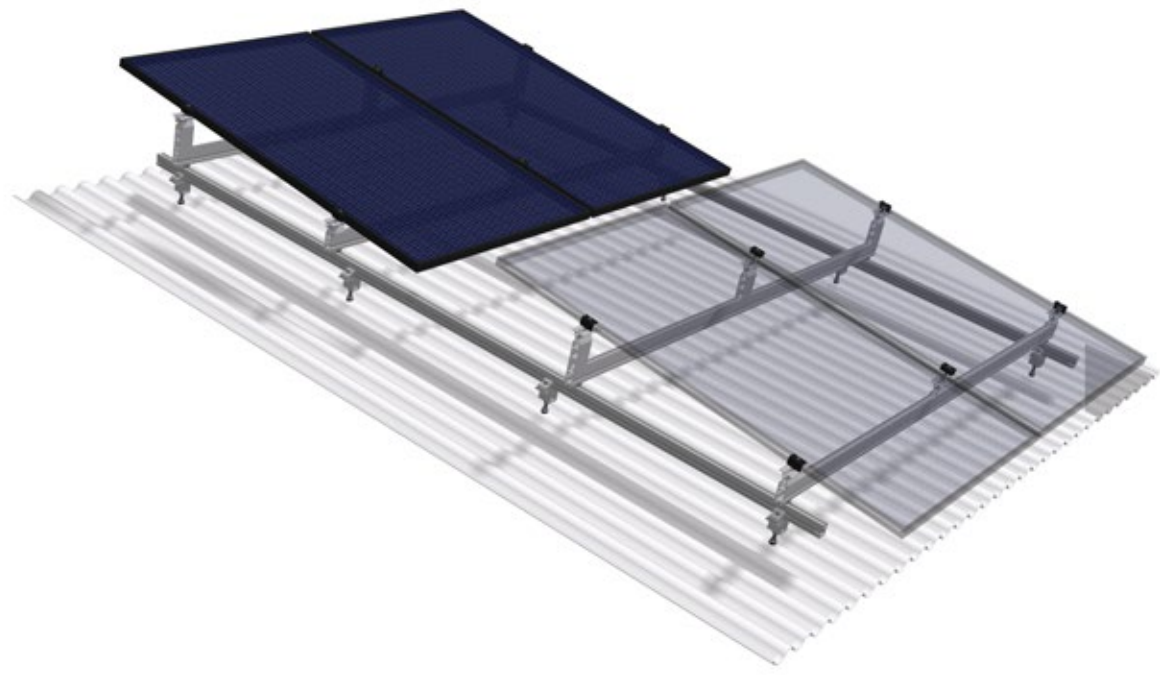
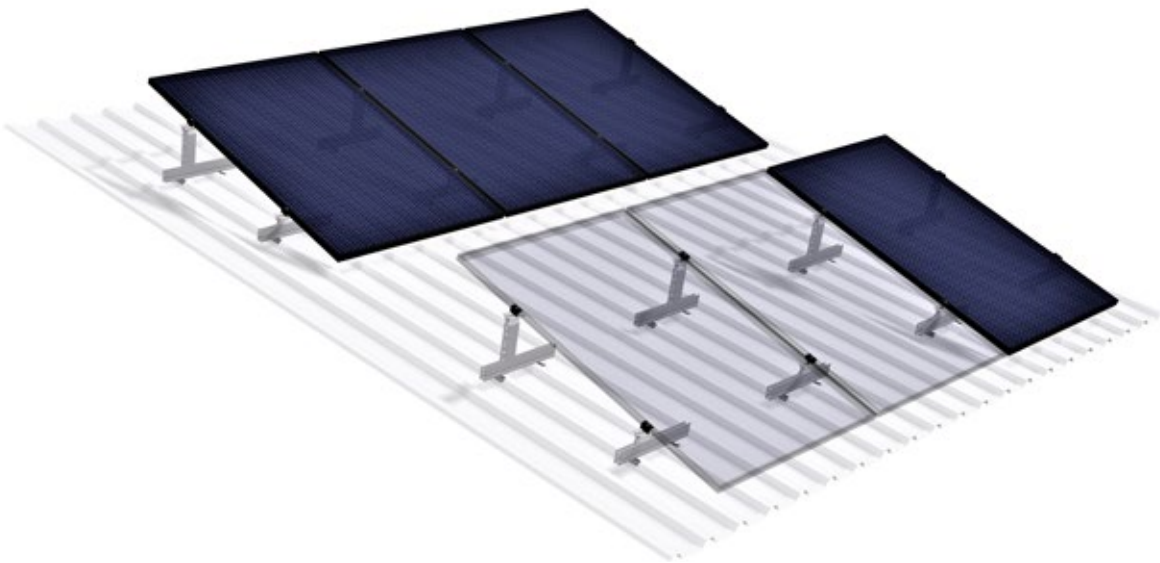
# PROFILE ACCESSORIES

## PROFILES

				
<b>129200-000</b>	Pro internal connector		PU: 40	
				
<b>129063-010</b>	 Upper connection  Lower connection	Cross connector Rapid Pro Completely pre-assembled for Klicknut M8 For cross rail system	PU: 200	
				
<b>129063-020</b>		Rapid cross connector 90 Pro Completely pre-assembled for ProLine channel For ProLine series cross rail systems	PU: 150	
<b>GREY</b>	<b>BLACK</b>			
<b>129200-010</b>	<b>129200-910*</b>	Pro plastic end cap	PU: 100	
			 	
<b>119033-002</b>	Uno M8 universal adapter		PU: 50	
As clamp dowel for special applications in connection with the Eco05 module support profile. Support profile must be fastened with M8 screws to the clamp dowel.				
				
<b>FLOOR PROFILE CONNECTOR TO BALLAST AND COMPOSITE RAIL</b>				
<b>129063-002</b>	RapidConnect90 For cross rail system		PU: 100	

# FIXZ PRO

## PROFILES



# FIXZ PRO

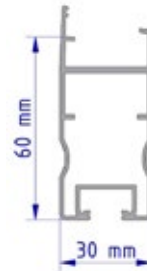
## PROFILES

### SUPPORT PROFILE FIXZ PRO

MECHANICAL CONNECTION

Upper: FixGrid Pro  
Click-in connection

Lower: Screw channel M10



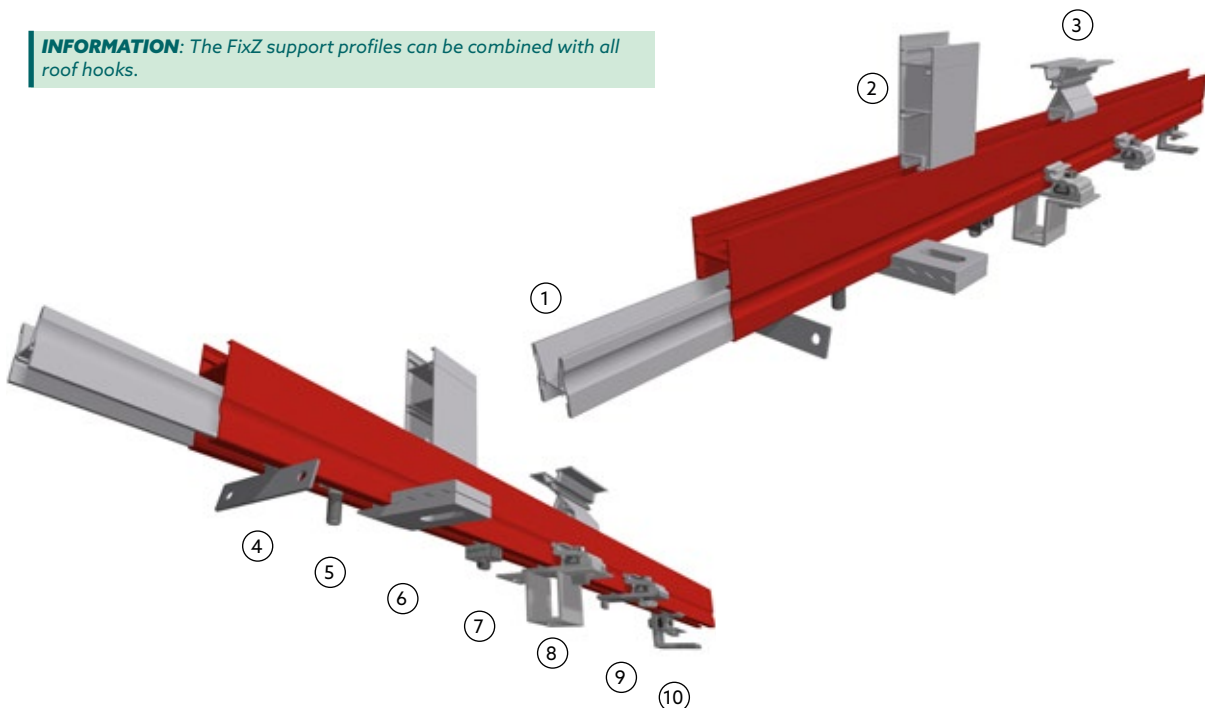
#### AL BLANK



**120034-00450** 450 mm (1.48') PU: 50

THE FIXZ SUPPORT PROFILES CAN BE COMBINED WITH THE FOLLOWING ITEMS		POSITION
<b>129200-000</b>	Pro internal connector	1
<b>165005-003</b>	Pro heightening element	2
<b>165005-004</b>	Pro module support	3
<b>113009-003</b>	SingleFix Pro	4
<b>943410-025</b>	Screw M10x25 square A2 GMB	5
<b>119001-020</b>	KlickTop Pro extension part for hanger bolt	6
<b>129063-002</b>	RapidConnect90	7
<b>129063-010</b>	Cross connector Rapid Pro	8
<b>119033-001</b>	Universal adapter Uno M10 / M12	9
<b>129063-020</b>	Rapid cross connector 90 Pro	9
<b>119026-122</b>	RapidPro L	10

**INFORMATION:** The FixZ support profiles can be combined with all roof hooks.



"CLASSIC" PROFILE



"PROLINE" PROFILE

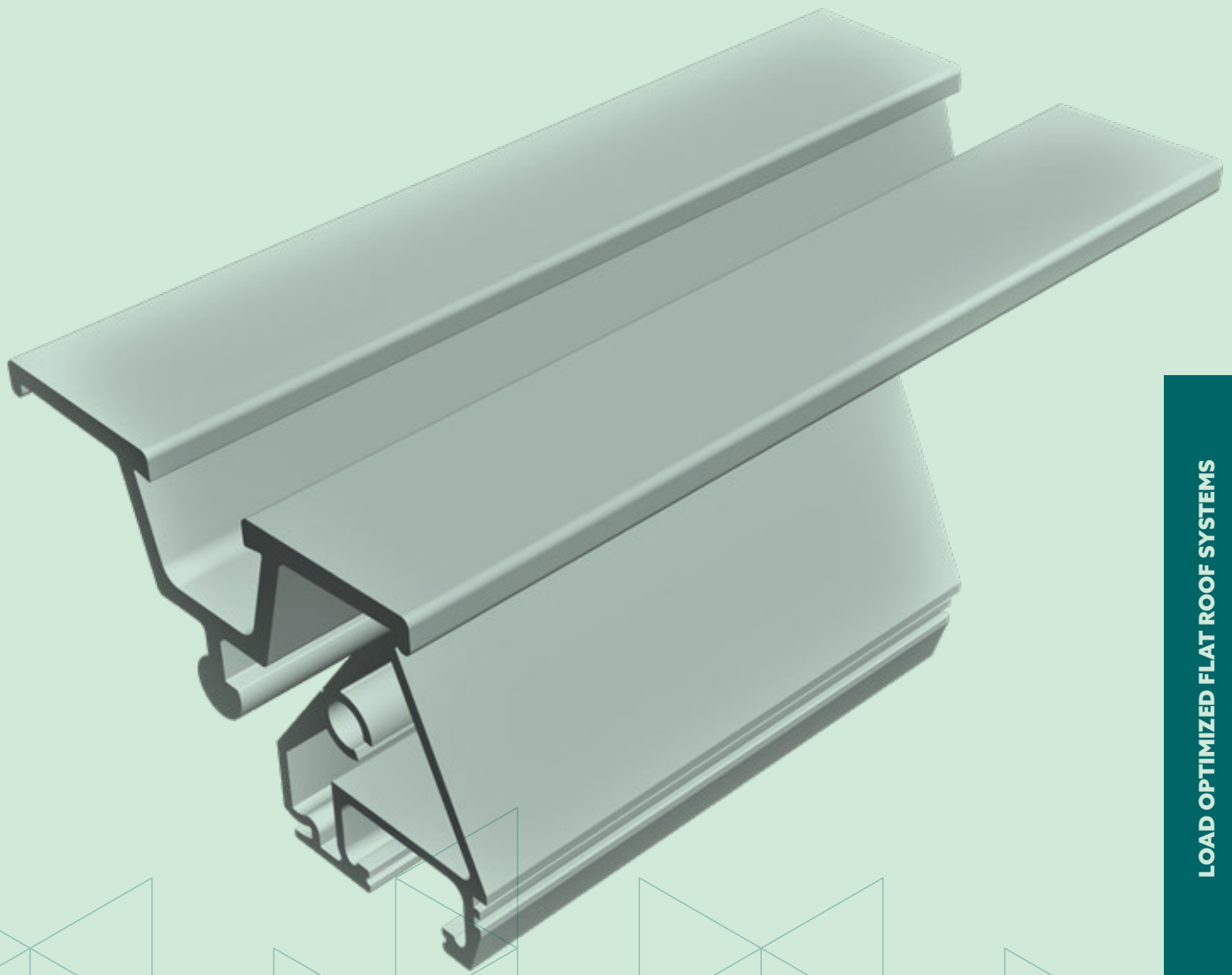


# NOTES




# LOAD OPTIMIZED FLAT ROOF SYSTEMS

- + FIXGRID PRO
- + FLATGRID PRO



# FIXGRID PRO


## LOAD OPTIMIZED FLAT ROOF SYSTEMS

MODULE SUPPORT 		
<b>165005-001</b>	Pro screw-in module support For installation on the Pro floor profile	PU: 25

The appropriate module clamps can be found in the ProLine module clamps section.

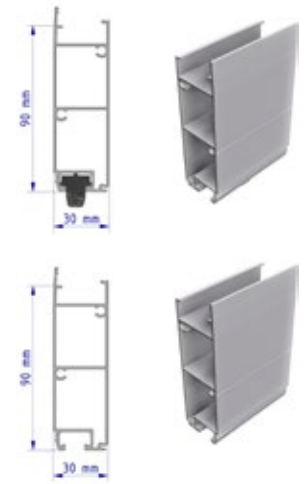
<b>165005-004</b>	Pro module support For installation on the Pro screw-in and heightening element	PU: 25
-------------------	--	--------




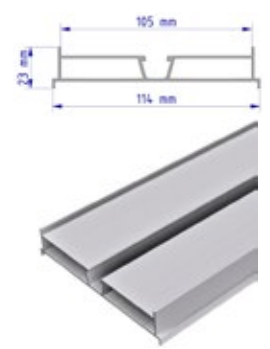
HEIGHTENING ELEMENT 		
<b>165005-002</b>	Pro screw-in heightening element For installation on the Pro floor profile	PU: 25

**PLEASE NOTE:** The quantity of the heightening elements varies depending on the elevation angle: (1 piece = 5°, 2 pieces = 10°, 3 pieces = 15°)

<b>165005-003</b>	Pro heightening element For installation on the Pro screw-in and heightening element	PU: 25
-------------------	---	--------



FLOOR PROFILE 		
<b>165001-02500</b>	Pro floor profile 2500 mm (8.20')	
<b>165001-06000</b>	Pro floor profile 6000 mm (19.69')	



FLOOR PROFILE CONNECTORS 		
<b>129200-001</b>	Pro floor profile connector	PU: 70



# FIXGRID PRO

## LOAD OPTIMIZED FLAT ROOF SYSTEMS



### WINDSAFE SHEET METAL

<b>169205-215</b>	Pro Windsafe 5 up to 2150 mm module (7.05')
<b>169205-250</b>	Pro Windsafe 5 up to 2500 mm module (8.20')
<b>169210-215</b>	Pro Windsafe 10 up to 2150 mm module (7.05')
<b>169210-250</b>	Pro Windsafe 10 up to 2500 mm module (8.20')
<b>169215-215</b>	Pro Windsafe 15 up to 2150 mm module (7.05')
<b>169215-250</b>	Pro Windsafe 15 up to 2500 mm module (8.20')



### BALLAST SHAFT

<b>169020-100</b>	Pro ballast trough
-------------------	--------------------

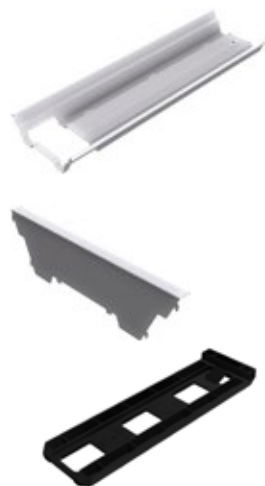
**PLEASE NOTE:** Accessories, surface protection mat page 63



<b>169020-001</b>	Pro ballast tray cover plate	PU: 20
-------------------	------------------------------	--------



<b>169200-000</b>	Pro ballast tray clamping wedge	PU: 10
-------------------	---------------------------------	--------



### BALLAST AND COMPOSITE RAILS

<b>165002-01600</b>	Pro ballast + composite rail 1600 mm (5.25')
<b>165002-02000</b>	Pro ballast + composite rail 2000 mm (6.56')
<b>165002-02350</b>	Pro ballast + composite rail 2350 mm (7.71')
<b>165002-02700</b>	Pro ballast + composite rail 2700 mm (8.86')
<b>165002-06000</b>	Pro ballast + composite rail 6000 mm (19.69')



### BALLAST RAIL CONNECTORS

<b>129200-002</b>	Pro ballast rail connectors	PU: 40
-------------------	-----------------------------	--------



### FLOOR RAIL

<b>165001-00550</b>	Pro 550 floor rail As intermediate support for Pro ballast + composite rail	PU: 25
---------------------	--	--------



# FIXGRID PRO

## LOAD OPTIMIZED FLAT ROOF SYSTEMS



### FIXGRID PRO SCREW-IN TOOL

<b>169008-006</b>	FixGrid Pro screw-in tool For easier assembly and positioning of the screw-in module supports and screw-in raising elements.	PU: 2
-------------------	---	-------



### SURFACE PROTECTION MAT STRIPS

<b>169004-003</b>	Surface protection mat 300 x 110 x 20 mm AK SK	PU: 25
<b>169004-008</b>	Surface protection mat 300 x 110 x 20 mm FH AK SK (On request, please note longer delivery times.)	PU: 25



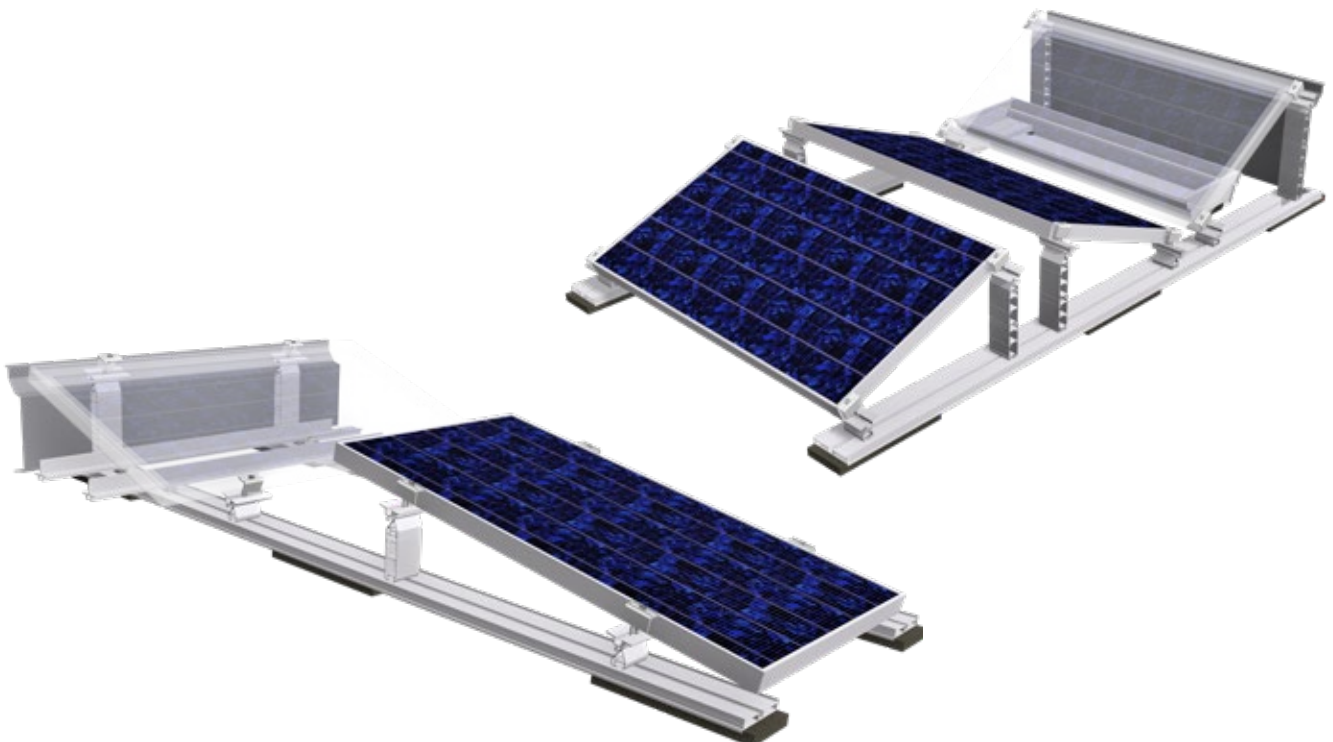
### FLOOR PROFILE CONNECTOR TO BALLAST AND COMPOSITE RAIL

<b>129063-002</b>	RapidConnect90	PU: 100
-------------------	----------------	---------



### FASTENING SCREWS FOR WINDSAFE SHEET METAL

<b>943000-360</b>	Thin sheet metal screw 6.0 x 25 A2 with sealing washer	PU: 100
-------------------	--	---------



# FLATGRID PRO

## LOAD OPTIMIZED FLAT ROOF SYSTEMS



FLOOR PROFILE	
<b>165001-01500</b>	Pro floor profile 1500 mm (4.92')
<b>165001-02500</b>	Pro floor profile 2500 mm (8.20')
<b>165001-03500</b>	Pro floor profile 3500 mm (11.48')
<b>165001-04500</b>	Pro floor profile 4500 mm (14.76')
<b>165001-06000</b>	Pro floor profile 6000 mm (19.69')



FLOOR PROFILE CONNECTORS		
<b>129200-001</b>	Pro floor profile connector	PU: 70



SURFACE PROTECTION MAT STRIPS		
<b>169004-003</b>	Surface protection mat 300 x 110 x 20 mm AK SK	PU: 25
<b>169004-008</b>	Surface protection mat 300 x 110 x 20 mm FH AK SK (On request, please note longer delivery times.)	PU: 25



RAPID PRO L BRACKET CONNECTOR		
<b>119026-122</b>	Rapid Pro L bracket connector	PU: 100



ACCESSORIES FOR ANGLE BRACKET, TENSION AND RIDGE CONNECTORS		
<b>943001-238*</b>	Round head screw M8X16, DIN 34805-2, TX40, A2, with locking teeth and Gleitmo coating	PU: 100
<b>942000-902</b>	Pro hammerhead nut	PU: 100



\*Expected to be available from Q4/2023



OTHER ACCESSORIES		
<b>129062-021*</b>	Tension connector (2 units are required per connection)	PU: 100
<b>129061-001</b>	Ridge connector set	PU: 50



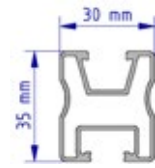
\*Expected to be available from Q3/2023

# FLATGRID PRO

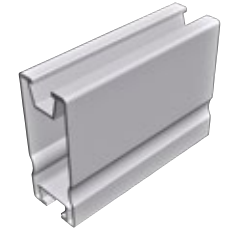
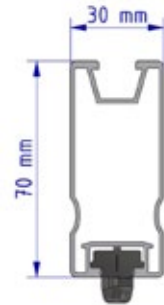
## LOAD OPTIMIZED FLAT ROOF SYSTEMS

### MODULE SUPPORT PROFILES

**120020-00100** Pro 35 100 mm (0.33') module support profile PU: 100



**120022-000** Screw-in profile Pro70 PU: 100



**INFORMATION:** Additional module support profiles can be found in the module support and mounting profiles Pro section.

### BALLAST SHAFT

**169020-100** Pro ballast trough



**169020-001** Pro ballast tray cover plate PU: 20



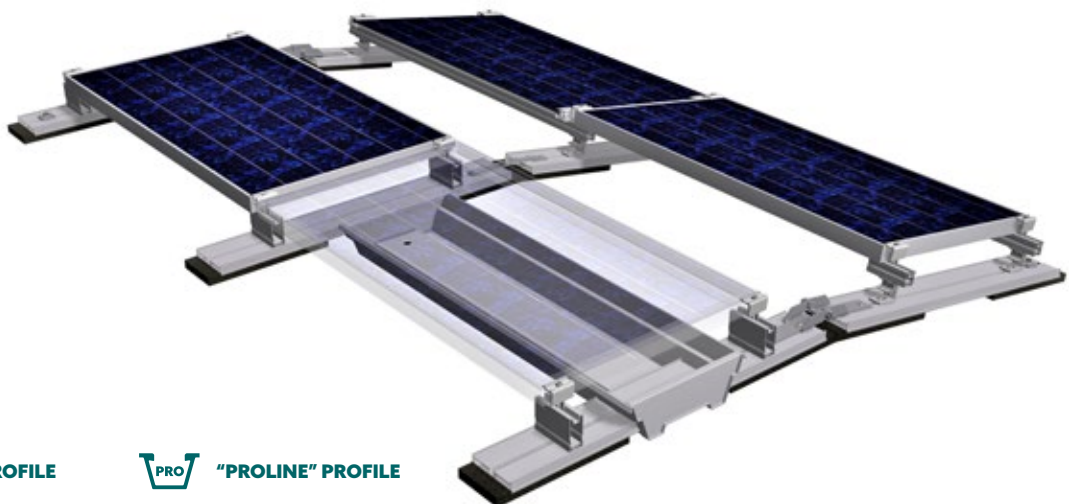
**169200-000** Pro ballast tray clamping wedge PU: 10



**169004-003** Surface protection mat 300 x 110 x 20 mm AK SK PU: 25



**169004-008** Surface protection mat 300 x 110 x 20 mm FH AK SK (On request, please note longer delivery times.) PU: 25



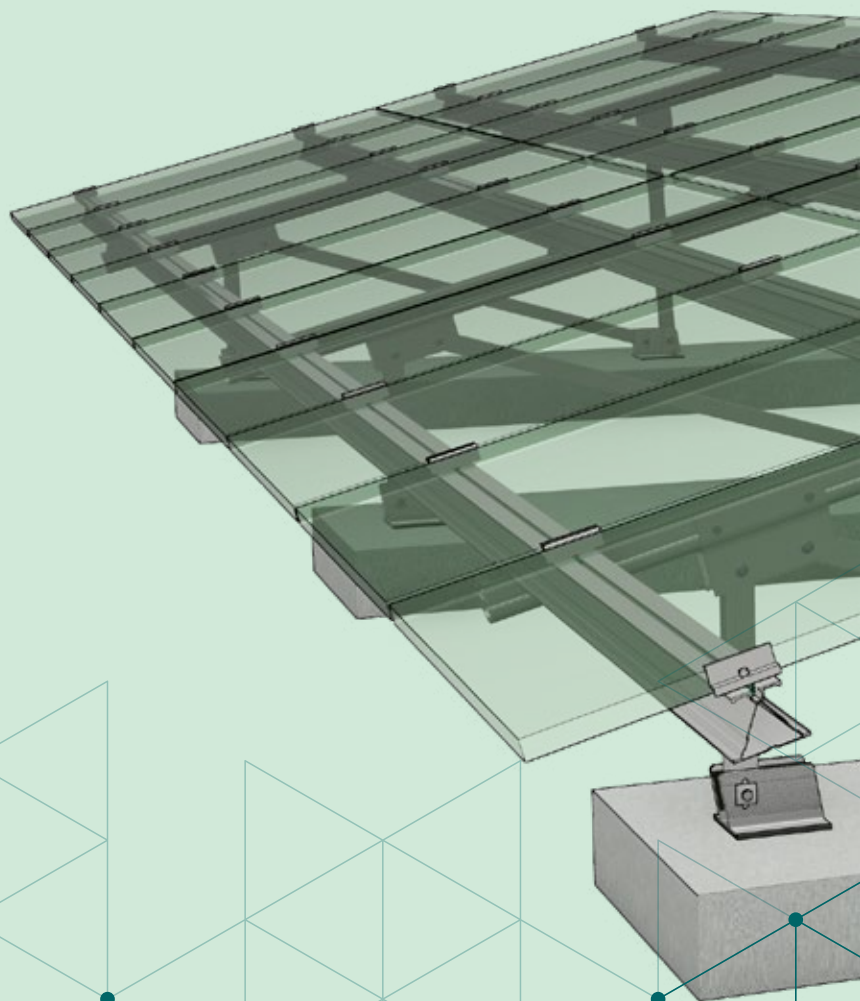


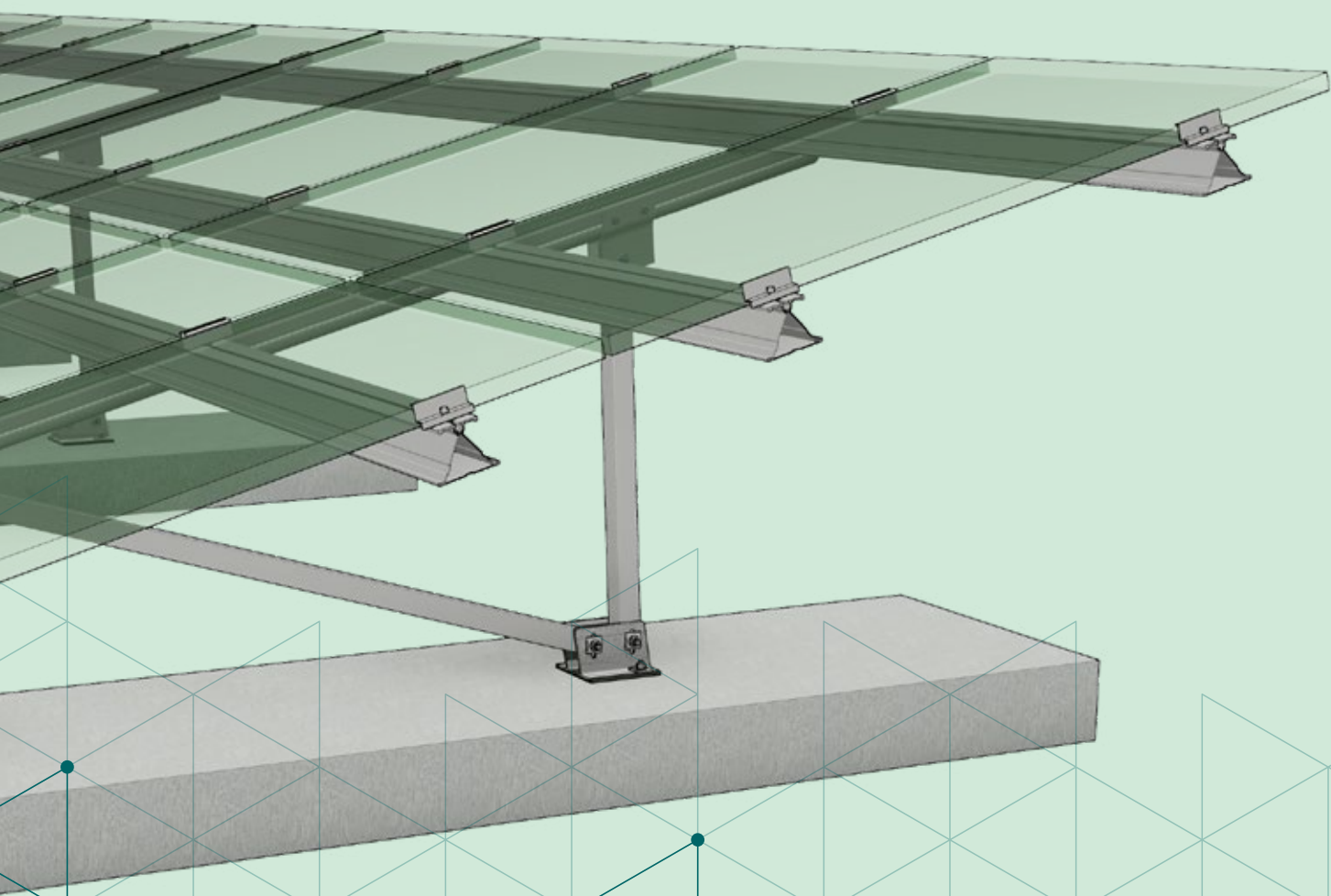
# NOTES

A large rectangular grid area, likely for taking notes or calculations. The grid consists of 30 columns and 40 rows of small squares.

# PVMAX 3

THE PVMAX 3 COMPLEMENTS OUR PRODUCT RANGE OF THE FS FAMILY WITH A COST-EFFECTIVE AND MODULAR ALUMINUM SYSTEM.





# PVMAX 3

We often face challenging terrain where pile-driving foundation is impossible due to soil conditions (e.g., too soft or rocky soil, landfill areas). PvMax3 was developed precisely for these cases, offering an above-ground concrete foundation that saves valuable installation time and costs.

- No penetration of the subsoil
- Stability and long service life
- Perfectly matched system components
- High corrosion resistance (100% aluminum)
- Fast and cost-effective project planning, even for special planning
- Complete structural analysis, including foundation calculation with dowel recommendation
- Fast installation (partially pre-assembled support sets)
- 25-year warranty

## GIRDER

<b>000019-779</b>	Standard 2V PvMax3 Girder Assembly
-------------------	------------------------------------

## STRUTS (1 PER GIRDER)

<b>147001-01990</b>	PvMax3 Strut, 55x55, 1990mm (6.53'), for 30° Girder
---------------------	---

<b>147001-02612</b>	PvMax3 Strut, 55x55, 2612mm (8.57'), for 45° Girder
---------------------	---

## PURLIN

<b>124307-04400</b>	Rail, S1.8, 4400 mm (14.44')
---------------------	------------------------------

<b>129306-001</b>	S1.8 Splice without hardware
-------------------	------------------------------

<b>943000-360</b>	Drill screw, 6.0x25 for splice, self-drilling (2 per splice)
-------------------	--

## ATTACHMENTS + HARDWARE

<b>147003-021</b>	Base Foot, Universal, 7 holes (2 per girder)
-------------------	--

<b>000021-340</b>	EPDM for Base Foot (2 per girder)
-------------------	-----------------------------------

<b>943612-100</b>	Screw, HexHead, M12 (3 per girder)
-------------------	------------------------------------

<b>943912-012</b>	Nut, Flange, Serrated, M12 (3 per girder)
-------------------	---

<b>147005-000</b>	Claw for Base (6 per girder)
-------------------	------------------------------

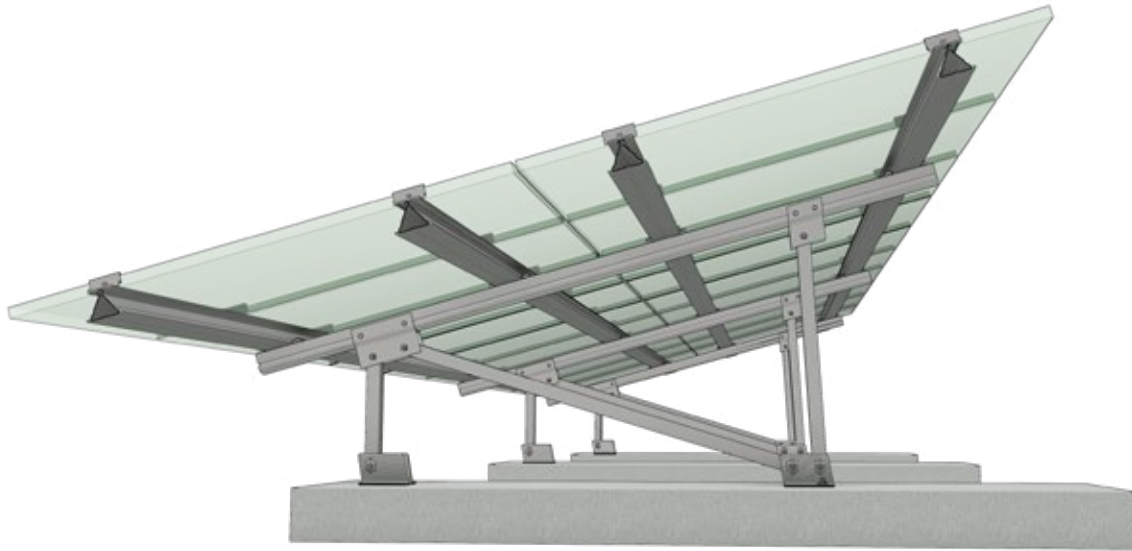
## CLAMPS

<b>131121-001</b>	Rapid16 Middle Clamp, 30-40mm
-------------------	-------------------------------

<b>131101-001</b>	Rapid16 End Clamp, 30-40mm, V
-------------------	-------------------------------

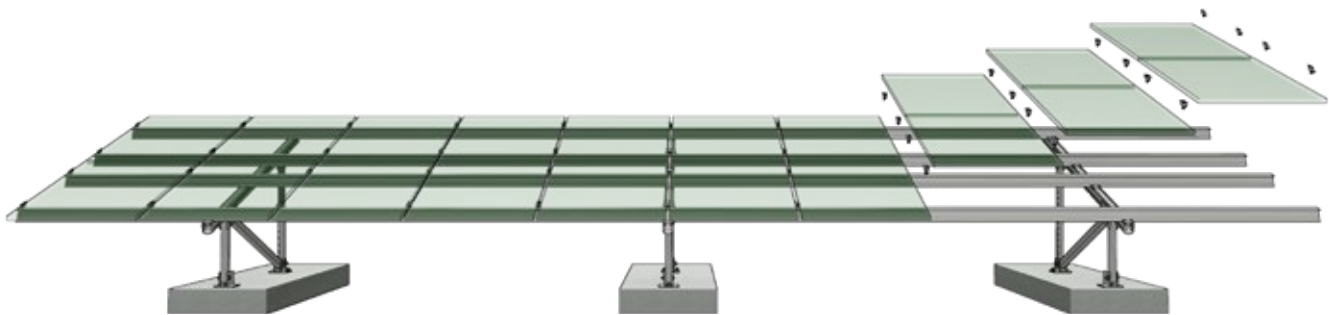
<b>131121-901</b>	Rapid16 Middle Clamp, 30-40mm Black Anodized
-------------------	--

<b>131101-901</b>	Rapid16 End Clamp, 30-40mm, V Black Anodized
-------------------	--



## CONSTRUCTION

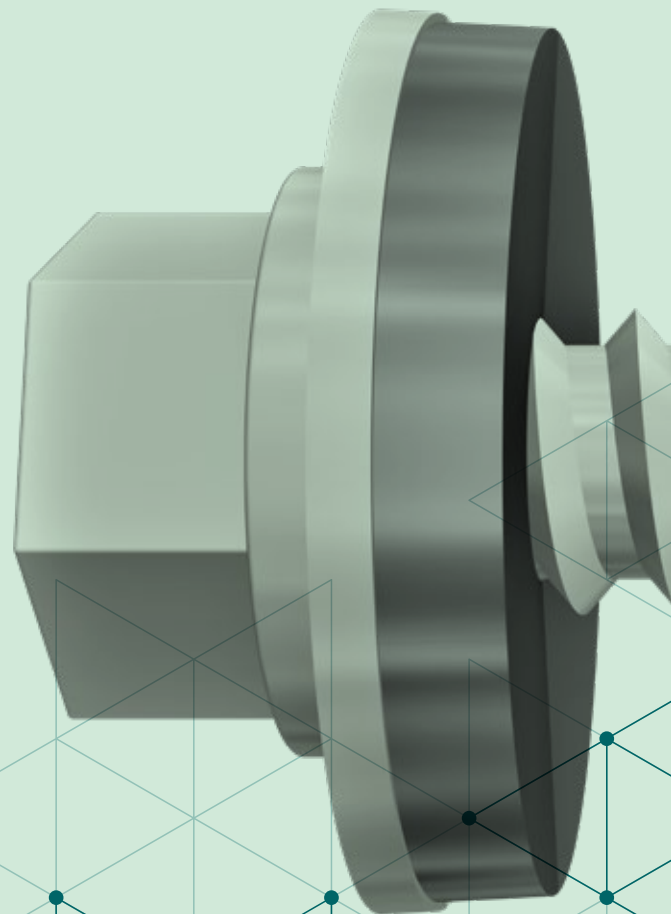
The reduction of bolted connections to a necessary minimum and the partially pre-assembled support sets of PvMax3 lead to a quick and easy on-site assembly. The supports are bolted to the concrete foundation with special profile feet.

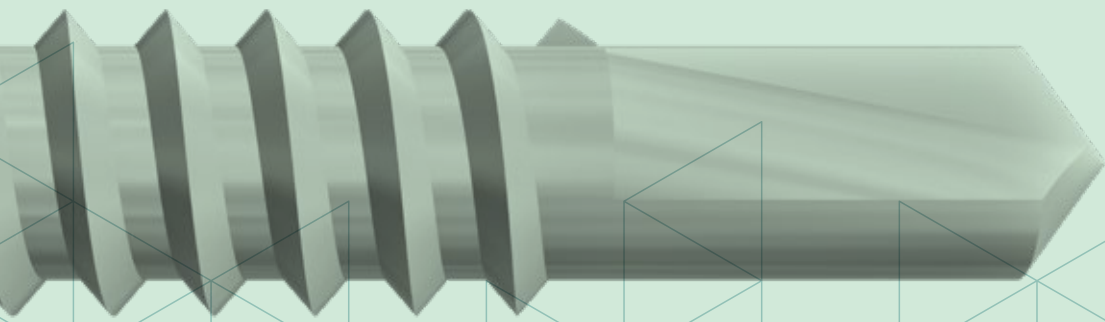


## PV MODULE MOUNTING

The arrangement of the modules is project-specific. Depending on requirements, they can be mounted vertically, horizontally, or with our newly developed combination clamp.

# SCREWS AND SMALL PARTS





# SCREWS AND SMALL PARTS

## HEXAGON HEAD SCREW, A2



<b>943610-025**</b>	M10 x 25	DIN 933	PU: 100
<b>943000-029*</b>	M10 x 25	DIN EN ISO 4017	PU: 100
<b>943000-032</b>	M10 x 35	DIN EN ISO 4017	PU: 100
<b>943000-037*</b>	M10 x 45	DIN EN ISO 4017	PU: 100

\*Expected to be available from Q3/2023

\*\* Item will be discontinued. Available while stocks last.



## SQUARE HEAD SCREW, A2



<b>943410-025</b>	M10 x 25		PU: 100
-------------------	----------	--	---------



## FLANGE NUT WITH LOCKING TEETH, A4



<b>943912-008**</b>	M8	DIN 6923	PU: 100
<b>943000-015*</b>	M8	DIN EN 1661	PU: 100
<b>943912-010**</b>	M10	DIN 6923	PU: 100
<b>943000-022*</b>	M10	DIN EN 1661	PU: 100

\*Expected to be available from Q3/2023

\*\* Item will be discontinued. Available while stocks last.



## WASHER LARGE, V2



<b>943000-043</b>	M8	DIN EN ISO 7093-1	PU: 100
<b>943922-010**</b>	M10	DIN 9021	PU: 100
<b>943000-056</b>	M10	DIN EN ISO 7093-1	PU: 100

\*\* Item will be discontinued. Available while stocks last.



<b>942000-902</b>	Pro hammerhead nut		PU: 100
-------------------	--------------------	--	---------





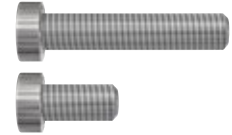
# SCREWS AND SMALL PARTS

## CYLINDER HEAD SCREW WITH LOCKING TEETH, TX40, A2



<b>943000-063*</b>	M8 x 40	DIN EN ISO 14580	PU: 100
<b>943001-242*</b>	M8 x 16	DIN EN ISO 14580	PU: 100

\*Expected to be available from Q4/2023



## ROUND HEAD SCREW WITH LOCKING TEETH, TX40, A2



<b>943001-238*</b>	M8 x 16	DIN 34805-2	PU: 100
--------------------	---------	-------------	---------

\*Expected to be available from Q4/2023



## NUT SELF-SECURING, A4



<b>943911-008**</b>	M8	DIN 985	PU: 500
<b>943001-240*</b>	M8	DIN EN ISO 7040	PU: 500

\*Available from Q3/2023

\*\* Item will be discontinued. Available while stocks last.

**PLEASE NOTE:** All locking nuts in all designs and grades are disposable. Both the plastic ring on poly stop nuts and the clamping part on all-metal nuts lose their clamping effect when screwed on and off.



## THREADED SCREW, SELF-GROOVING, A2

For steel starting at 1.5 mm



<b>943763-064</b>	6.3 x 64	PU: 100
<b>943763-115</b>	6.3 x 115	PU: 100
<b>943763-150</b>	6.3 x 150	PU: 100
<b>943763-200</b>	6.3 x 200	PU: 50

The mounting points must be pre-drilled with Ø 5 mm.



# SCREWS AND SMALL PARTS

## EPDM RUBBER INLAY 3 MM SELF-ADHESIVE, REEL WITH 50 M, UV-RESISTANT

e.g. for trapezoidal sheet clamps or for laminate modules



**973000-041** EPDM rubber self-adhesive 48 mm wide, reel with 50 m



## CABLE ROUTING

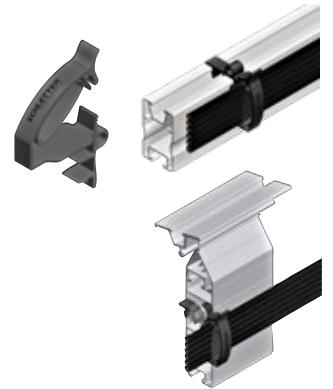
Cable fastener made of UV- and temperature-resistant plastic



### 129065-018\* Proklip-Multi PS

Profiles	Systems	Cable quantity	
Click channel for module support profile Pro35, Pro50, Pro70, Pro100	FixGrid Pro (the thin sheet metal screw 943000-700 must be ordered separately for the use with FixGrid Pro)	approx. 6*	PU: 100

\*Expected to be available from Q3/2023



### 129065-001 Proklip-Multi 10S

Profiles	Systems	Cable quantity	
Solo and screw channel M10	-	approx. 4*	PU: 100



### 149023-001 Mounting clips 1.0 – 3.0 mm, upper guide

Fastening on edges with a width of 1.0 – 3.0 mm;  
Cable tie length: 200 mm (0.66')

PU: 100



### 149023-002 Mounting clips 1.0 – 3.0 mm, lateral guide

Fastening on edges with a width of 1.0 – 3.0 mm;  
Cable tie length: 200 mm (0.66')

PU: 100



\*Starting with a 6 mm<sup>2</sup> cable with a 6 mm cable diameter.



# NOTES



# WE SUPPORT SOLAR.

For competent and comprehensive advice in the planning of your system, as well as for logistics and order processing, our employees are at your disposal.



**SCHLETTER NORTH AMERICA, INC.**  
11529 Wilmar Blvd., Charlotte, NC 28273

[www.schletter-group.com](http://www.schletter-group.com)

