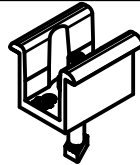


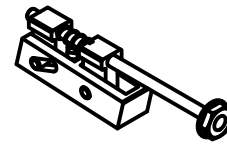
TOP VIEW

INSTALLED T-BOLT MARK MUST ALWAYS FACE NORTH - SOUTH

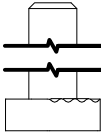
PART # TABLE	
P/N	DESCRIPTION
302040M	PRO ENDCLAMP
302030M	MILL PRO MIDCLAMP
302030D	DARK PRO MIDCLAMP



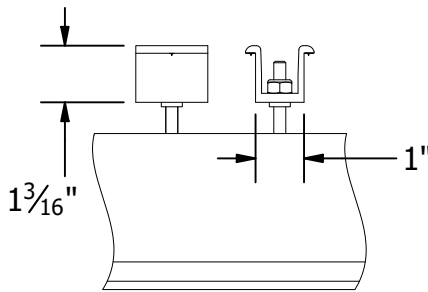
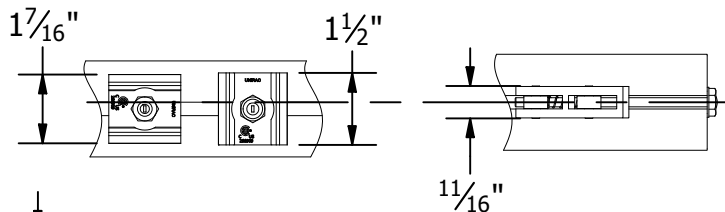
302030M/ 302030D
PRO SERIES MID CLAMP



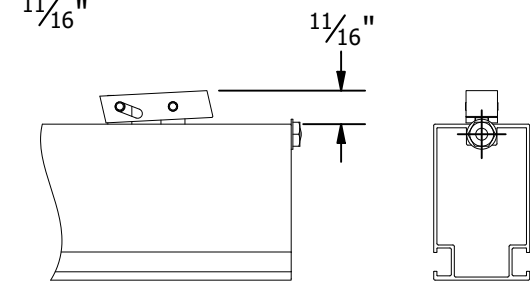
302040M
PRO SERIES END CLAMP



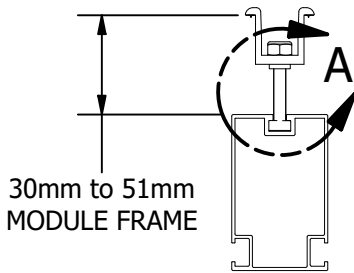
DETAIL A



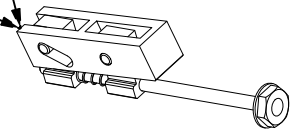
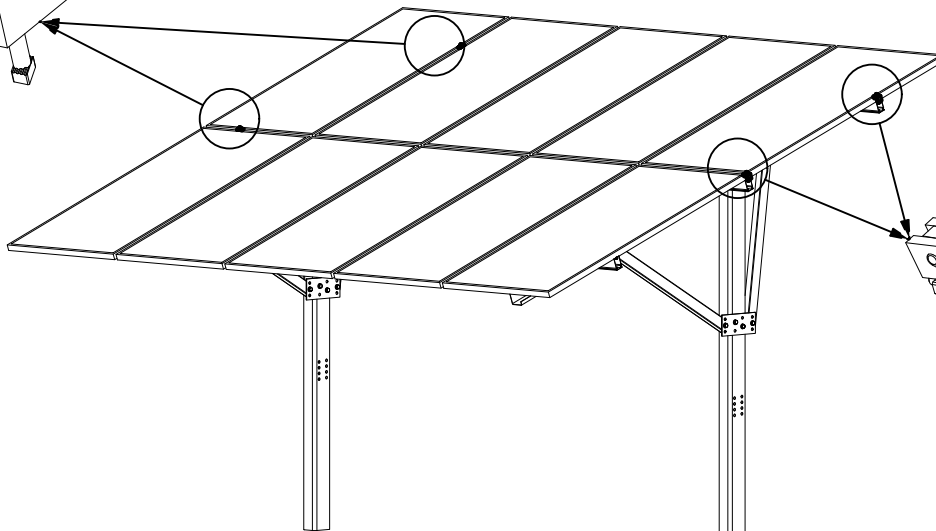
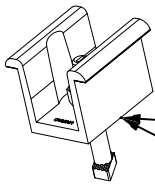
PRO SERIES MIDCLAMP



PRO SERIES ENDCLAMP



30mm to 51mm
MODULE FRAME



1411 BROADWAY BLVD. NE
ALBUQUERQUE, NM 87102 USA
PHONE: 505.242.6411
WWW.UNIRAC.COM

PRODUCT LINE:	GFT
DRAWING TYPE:	ASSEMBLY DETAIL
DESCRIPTION:	PRO SERIES BONDING CLAMPS
REVISION DATE:	4/5/2024

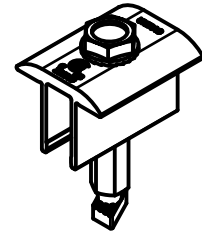
DRAWING NOT TO SCALE
ALL DIMENSIONS ARE
NOMINAL

PRODUCT PROTECTED BY
ONE OR MORE US PATENTS
LEGAL NOTICE

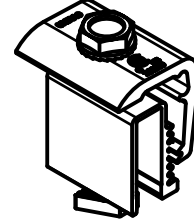
GFT-A01

SHEET

PART # TABLE	
P/N	DESCRIPTION
302045M	UNIVERSAL AF MID CLAMP - MILL
302045D	UNIVERSAL AF MID CLAMP - DRK
302050M	UNIVERSAL AF END CLAMP - MILL
302050D	UNIVERSAL AF END CLAMP - DRK

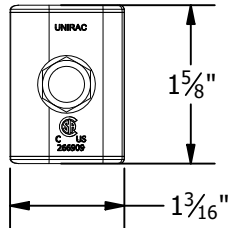


302045M/ 302045D
AF MID CLAMP

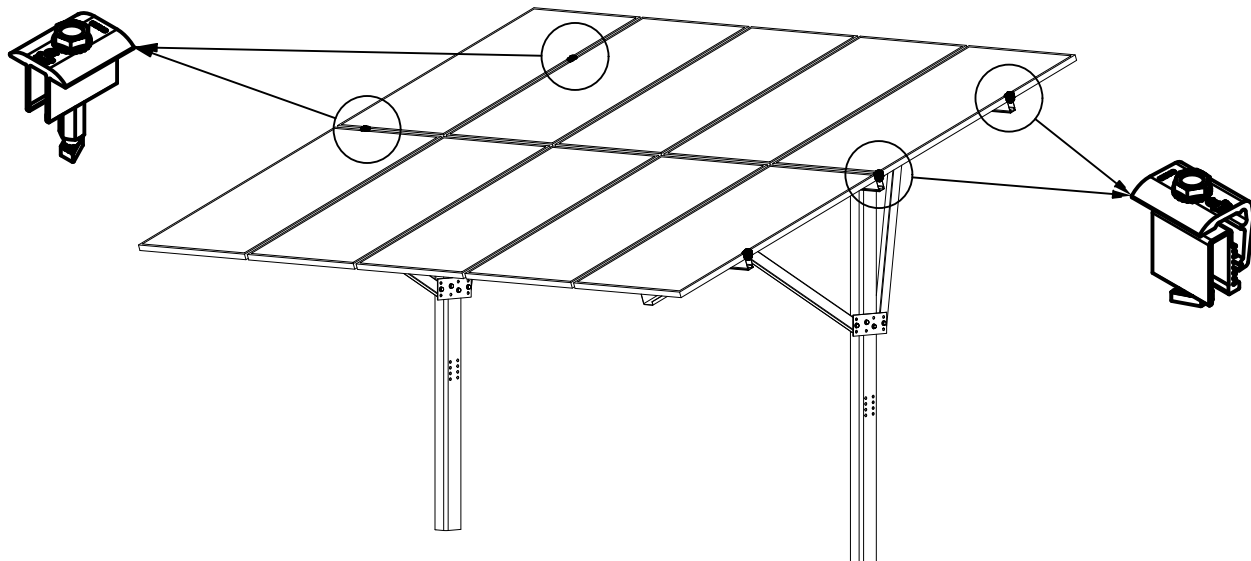
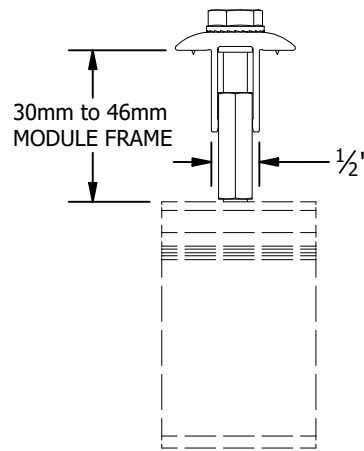
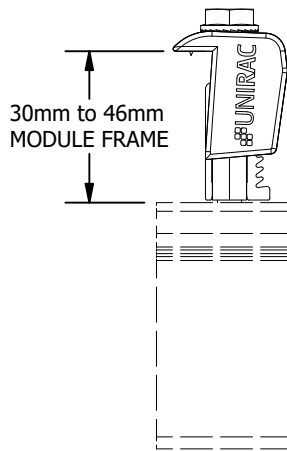
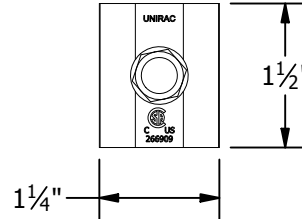


302050M/302050D
AF END CLAMP

UNIVERSAL AF
END CLAMP



UNIVERSAL AF
MID CLAMP



1411 BROADWAY BLVD. NE
ALBUQUERQUE, NM 87102 USA
PHONE: 505.242.6411
WWW.UNIRAC.COM

PRODUCT LINE:	GFT
DRAWING TYPE:	ASSEMBLY DETAIL
DESCRIPTION:	UNIVERSAL AF CLAMPS
REVISION DATE:	4/5/2024

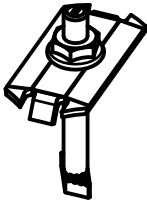
DRAWING NOT TO SCALE
ALL DIMENSIONS ARE
NOMINAL

PRODUCT PROTECTED BY
ONE OR MORE US PATENTS
LEGAL NOTICE

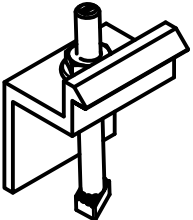
GFT-A02

SHEET

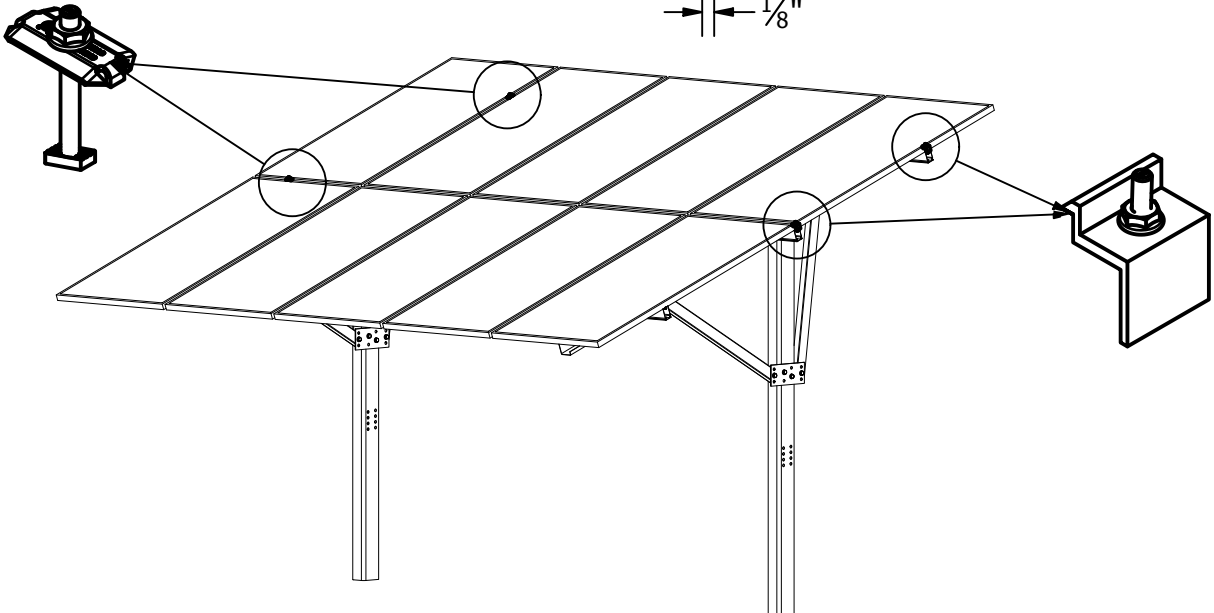
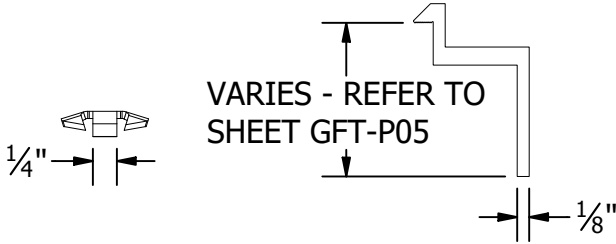
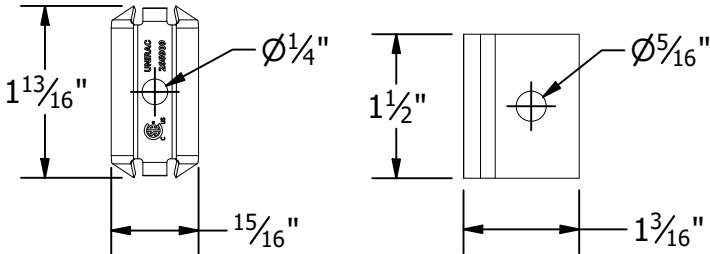
PART # TABLE	
P/N	DESCRIPTION
302027C	SM BND MIDCLAMP BC SS
302027D	SM BND MIDCLAMP BC DRK SS
302028C	SM BND MIDCLAMP EF SS
302028D	SM BND MIDCLAMP EF DRK SS
302029C	SM BND MIDCLAMP DK SS
302029D	SM BND MIDCLAMP DK DRK SS
	FOR BONDING END CLAMP - REFER TO SHEET GFT-P05



302027C/D 302028C/D 302029C/D
SM BND MIDCLAMP



REFER GFT-P05 FOR P/N
SM ENDCLAMP



1411 BROADWAY BLVD. NE
ALBUQUERQUE, NM 87102 USA
PHONE: 505.242.6411
WWW.UNIRAC.COM

PRODUCT LINE:	GFT
DRAWING TYPE:	ASSEMBLY DETAIL
DESCRIPTION:	STANDARD BONDING CLAMPS
REVISION DATE:	4/5/2024

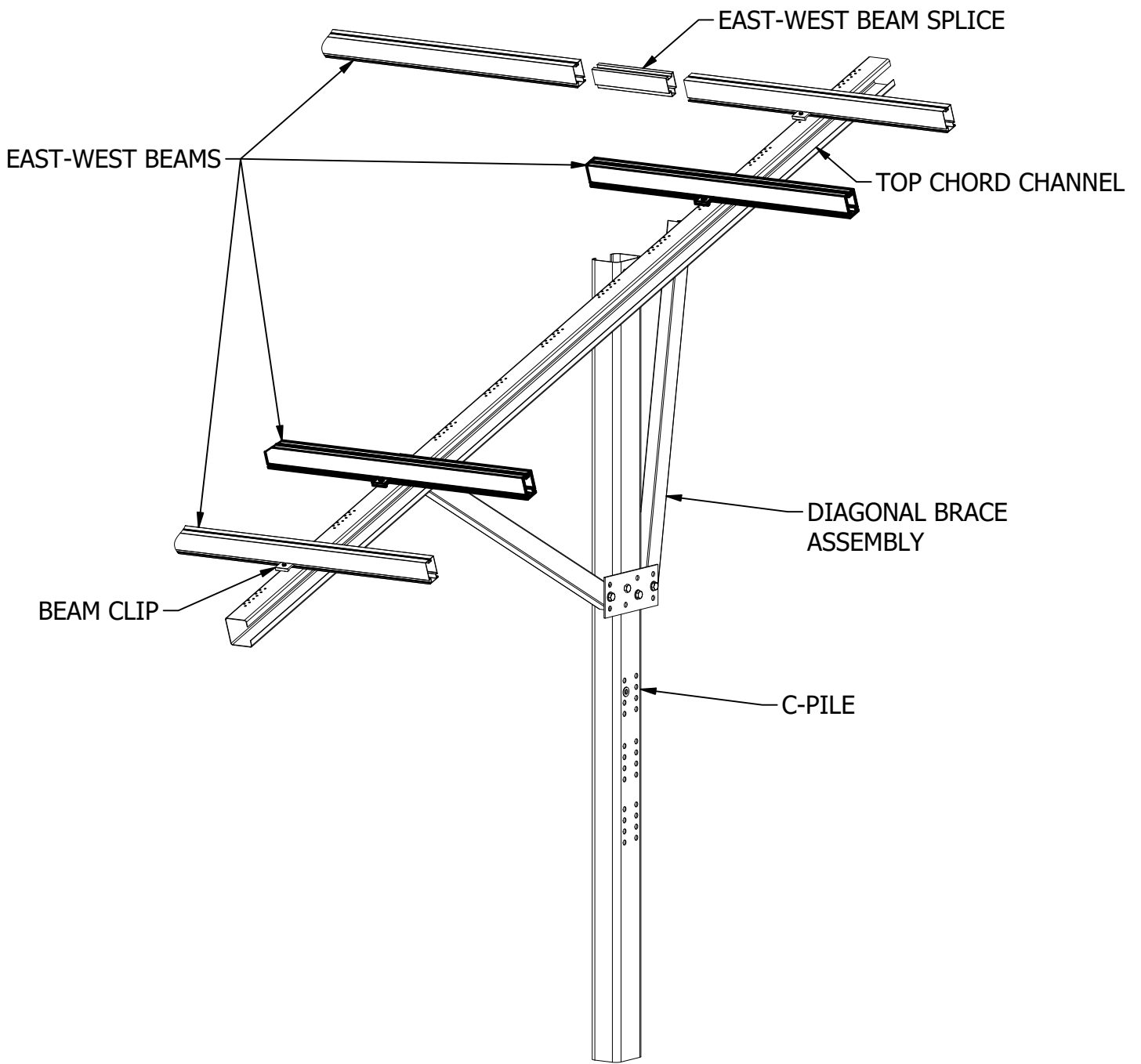
DRAWING NOT TO SCALE
ALL DIMENSIONS ARE
NOMINAL

PRODUCT PROTECTED BY
ONE OR MORE US PATENTS

LEGAL NOTICE

GFT-A03

SHEET



1411 BROADWAY BLVD. NE
 ALBUQUERQUE, NM 87102 USA
 PHONE: 505.242.6411
 WWW.UNIRAC.COM

PRODUCT LINE:	GFT
DRAWING TYPE:	ASSEMBLY
DESCRIPTION:	COMPONENTS
REVISION DATE:	3/14/2024

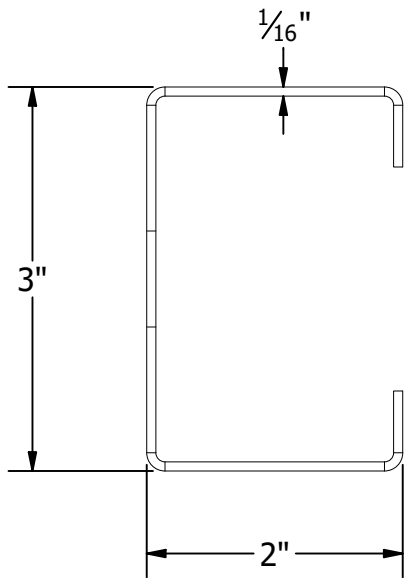
DRAWING NOT TO SCALE
 ALL DIMENSIONS ARE
 NOMINAL

PRODUCT PROTECTED BY
 ONE OR MORE US PATENTS
 LEGAL NOTICE

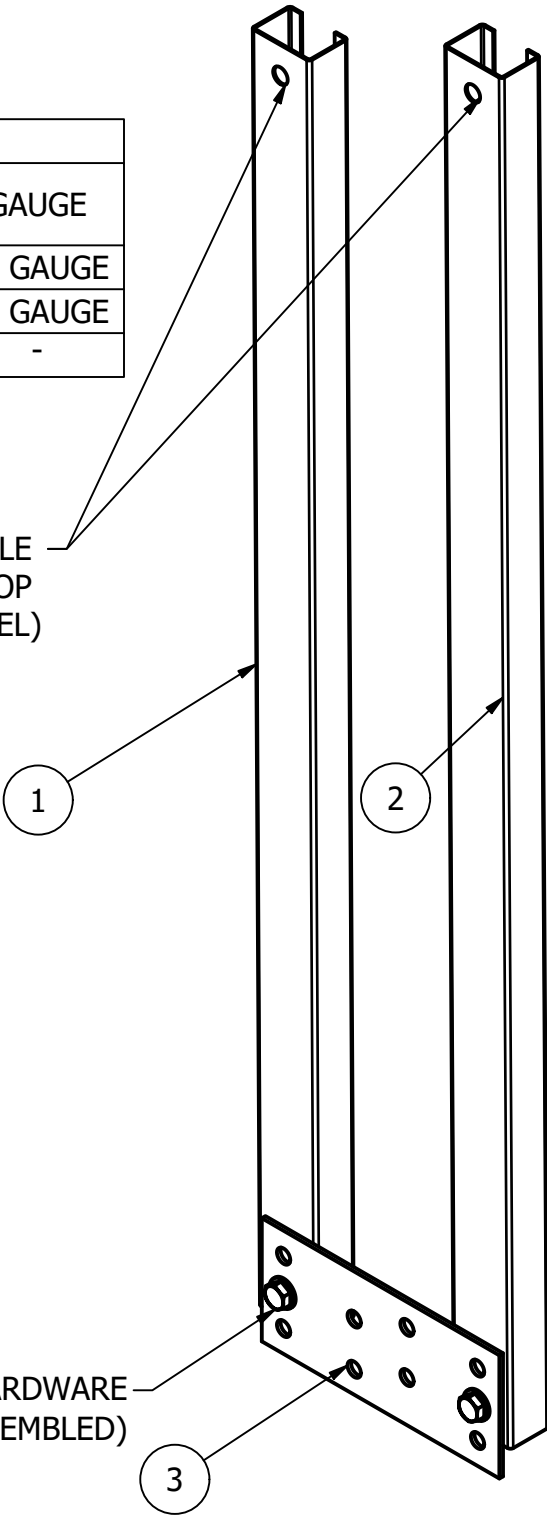
GFT-A04
 SHEET

ASSEMBLY # TABLE	
P/N	DESCRIPTION
404031	20° DIAGONAL BRACE ASSEMBLY

PARTS LIST				
ITEM	QTY	DESCRIPTION	LENGTH	GAUGE
1	1	FRONT DIAGONAL BRACE	4'-5 3/4"	14 GAUGE
2	1	REAR DIAGONAL BRACE	4'-2"	14 GAUGE
3	1	DIAGONAL BRACE PLATE	-	-



2X BOLT HOLE
(ATTACHES TO TOP
CHORD CHANNEL)



Ø 5/8" HARDWARE
(PRE-ASSEMBLED)

UNIRAC[®]
 1411 BROADWAY BLVD. NE
 ALBUQUERQUE, NM 87102 USA
 PHONE: 505.242.6411
 WWW.UNIRAC.COM

PRODUCT LINE:	GFT
DRAWING TYPE:	ASSEMBLY DETAIL
DESCRIPTION:	20° DIAGONAL BRACE ASSEMBLY
REVISION DATE:	4/2/2024

DRAWING NOT TO SCALE
 ALL DIMENSIONS ARE
 NOMINAL

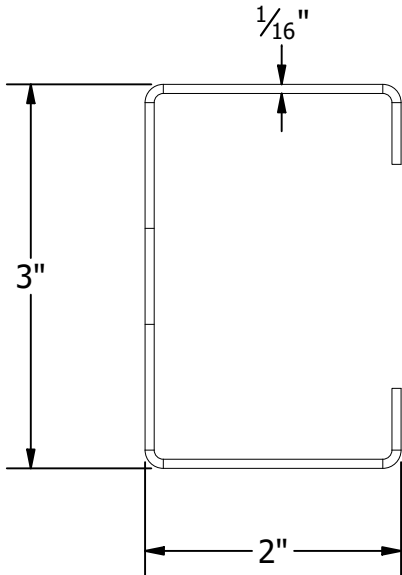
PRODUCT PROTECTED BY
 ONE OR MORE US PATENTS

LEGAL NOTICE

GFT-A05
 SHEET

ASSEMBLY # TABLE	
P/N	DESCRIPTION
404032	30° DIAGONAL BRACE ASSEMBLY

PARTS LIST				
ITEM	QTY	DESCRIPTION	LENGTH	GAUGE
1	1	FRONT DIAGONAL BRACE	4'-10 1/8"	14 GAUGE
2	1	REAR DIAGONAL BRACE	6'-1 3/8"	14 GAUGE
3	1	DIAGONAL BRACE PLATE	-	-



2X - BOLT HOLE
(ATTACHES TO TOP
CHORD CHANNEL)

1

2

Ø 5/8" HARDWARE
(PRE-ASSEMBLED)

3



1411 BROADWAY BLVD. NE
ALBUQUERQUE, NM 87102 USA
PHONE: 505.242.6411
WWW.UNIRAC.COM

PRODUCT LINE:	GFT
DRAWING TYPE:	ASSEMBLY DETAIL
DESCRIPTION:	30° DIAGONAL BRACE ASSEMBLY
REVISION DATE:	4/2/2024

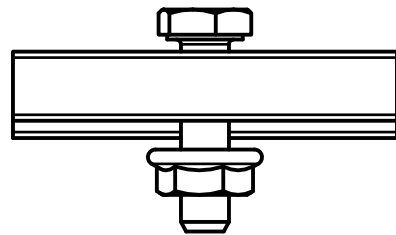
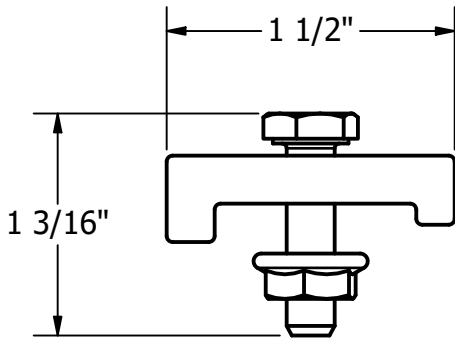
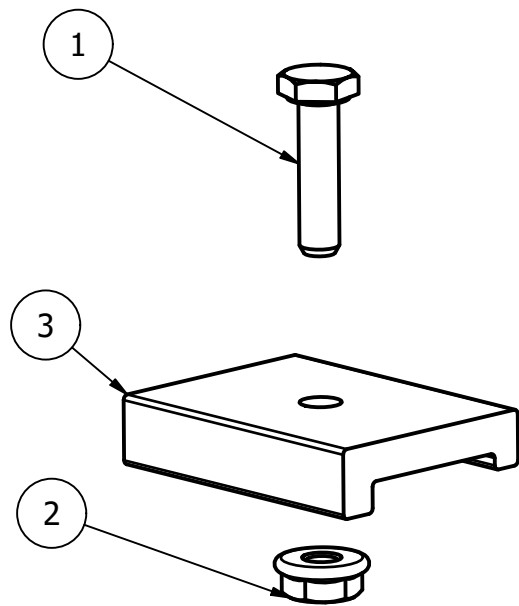
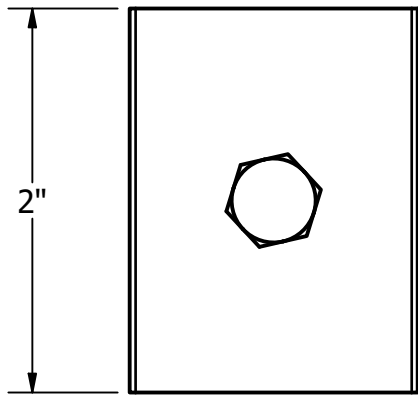
DRAWING NOT TO SCALE
ALL DIMENSIONS ARE
NOMINAL

PRODUCT PROTECTED BY
ONE OR MORE US PATENTS
LEGAL NOTICE

GFT-A06

SHEET

PART TABLE		
P/N	DESCRIPTION	
404020	GFT RAIL SUPPLEMENTAL HDWR 4-RAIL	
PART LIST		
ITEM	QTY	DESCRIPTION
1	8	BOLT,HHCS 1/4-20X1 SS 18-8
2	8	NUT,FLNG SERR 1/4-20 SS 18-8
3	8	GFT BEAM CLIP



1411 BROADWAY BLVD. NE
 ALBUQUERQUE, NM 87102 USA
 PHONE: 505.242.6411
 WWW.UNIRAC.COM

PRODUCT LINE:	GFT
DRAWING TYPE:	ASSEMBLY DETAIL
DESCRIPTION:	GFT HARDWARE KIT
REVISION DATE:	4/2/2024

DRAWING NOT TO SCALE
 ALL DIMENSIONS ARE
 NOMINAL

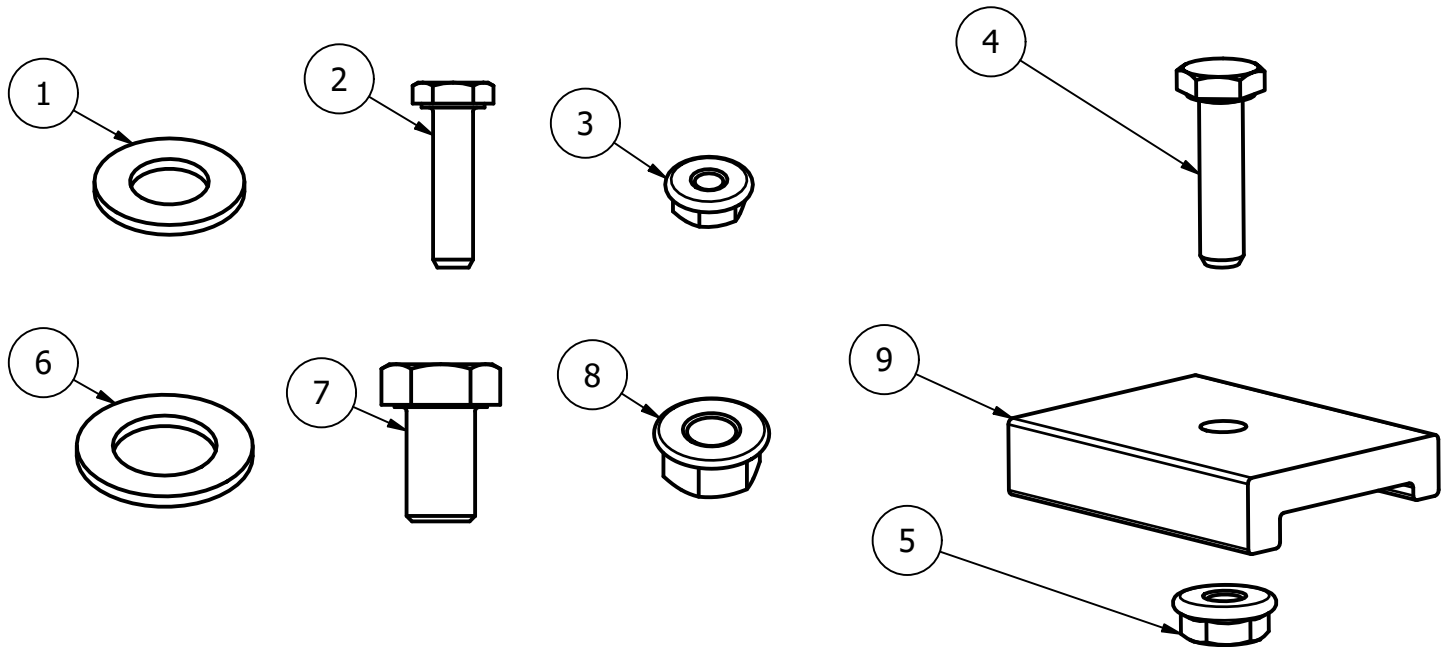
PRODUCT PROTECTED BY
 ONE OR MORE US PATENTS

LEGAL NOTICE

GFT-A07

SHEET

PART TABLE		
P/N	DESCRIPTION	
404013	GFT ASSEMBLY HARDWARE KIT	
PART LIST		
ITEM	QTY	DESCRIPTION
1	4	WASHER,FLAT,5/8 DELTA PROTEKT
2	4	BOLT,HHCS,5/8-11X1,DELTA
3	4	NUT,FLNG SERR, 5/8-11, DELTA
4	8	BOLT,HHCS 1/4-20X1 SS 18-8
5	8	NUT, FLNG SERR 1/4-20 SS 18-8
6	1	WASHER FLAT 3/4 DELTA PROTEKT
7	1	BOLT, HHCS 3/4-10 X 1.5 DELTA
8	1	NUT, FLNG SERR, 3/4-10 DELTA
9	8	GFT BEAM CLIP



UNIRAC
 1411 BROADWAY BLVD. NE
 ALBUQUERQUE, NM 87102 USA
 PHONE: 505.242.6411
 WWW.UNIRAC.COM

PRODUCT LINE:	GFT
DRAWING TYPE:	ASSEMBLY DETAIL
DESCRIPTION:	GFT HARDWARE KIT
REVISION DATE:	4/3/2024

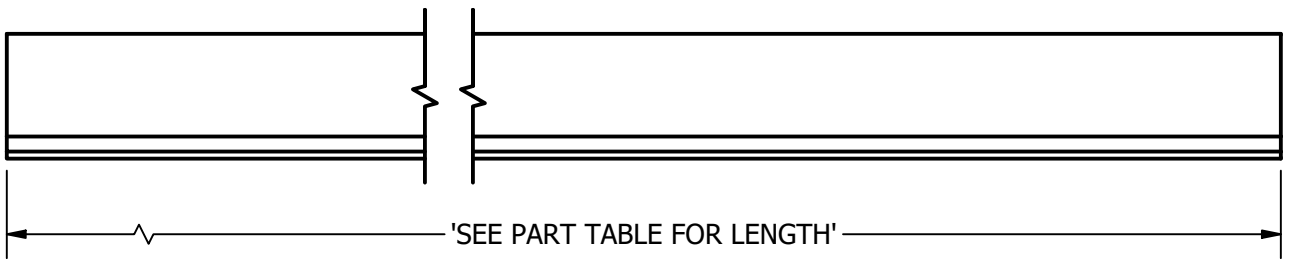
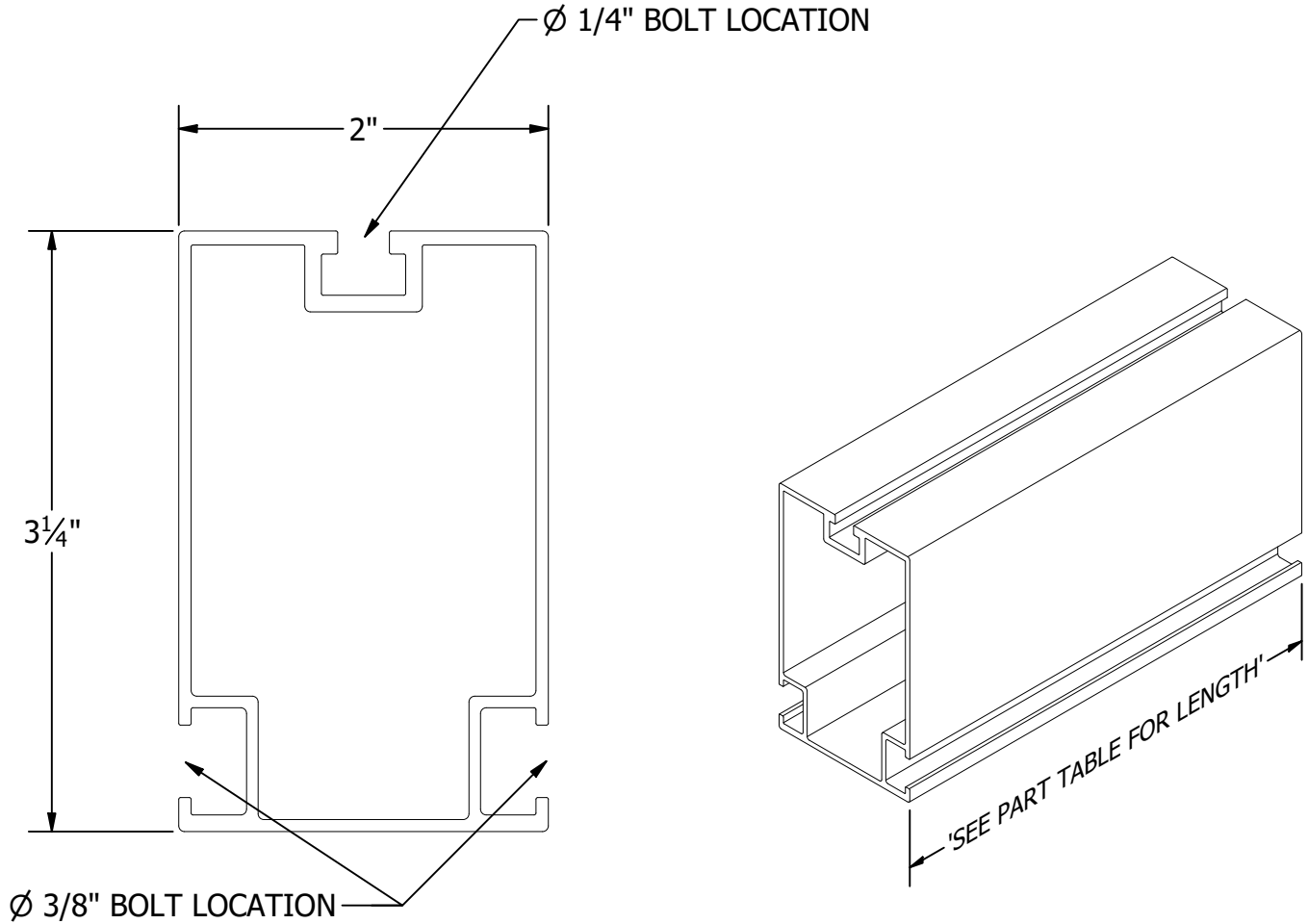
DRAWING NOT TO SCALE
 ALL DIMENSIONS ARE
 NOMINAL

PRODUCT PROTECTED BY
 ONE OR MORE US PATENTS

LEGAL NOTICE

GFT-A08
 SHEET

PART # TABLE		
P/N	DESCRIPTION	LENGTH
411168M	GFT RAIL 168" MILL	14'
411246M	GFT RAIL 246" MILL	20'-6"



1411 BROADWAY BLVD. NE
 ALBUQUERQUE, NM 87102 USA
 PHONE: 505.242.6411
 WWW.UNIRAC.COM

PRODUCT LINE:	GFT
DRAWING TYPE:	PART DETAIL
DESCRIPTION:	GFT RAIL
REVISION DATE:	4/2/2024

DRAWING NOT TO SCALE
 ALL DIMENSIONS ARE
 NOMINAL

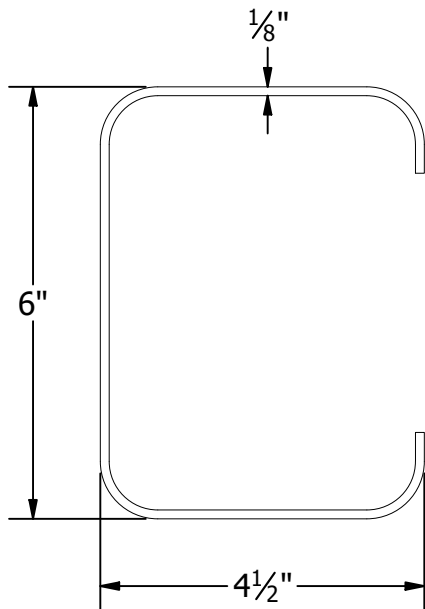
PRODUCT PROTECTED BY
 ONE OR MORE US PATENTS
 LEGAL NOTICE

GFT-P01

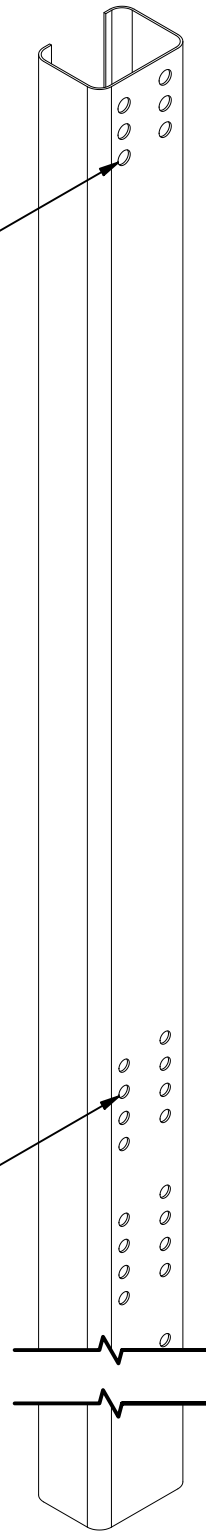
SHEET

PART # TABLE			
P/N	DESCRIPTION	LENGTH	GAUGE
404004	10.5FT C-PILE	10'-6"	11 GAUGE
404001	12.5 FT C-PILE	12'-6"	11 GAUGE
404002	15 FT C-PILE	15'	11 GAUGE

TOP CHORD ATTACHMENT POINT
(6 BOLT HOLE PATTERN)



DIAGONAL BRACE PLATE
ATTACHMENT POINT
(2X - 8 BOLT HOLE PATTERN)



NOTE: SEE CONSTRUCTION
DRAWINGS FOR IMBEDMENT DEPTH
AND FOUNDATION OPTIONS.



1411 BROADWAY BLVD. NE
ALBUQUERQUE, NM 87102 USA
PHONE: 505.242.6411
WWW.UNIRAC.COM

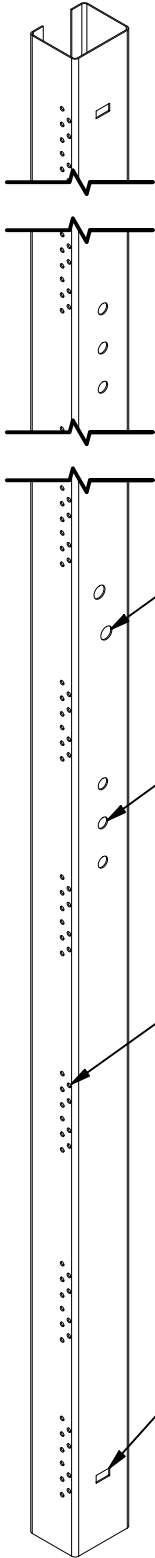
PRODUCT LINE:	GFT
DRAWING TYPE:	PART DETAIL
DESCRIPTION:	C-PILE
REVISION DATE:	4/2/2024

DRAWING NOT TO SCALE
ALL DIMENSIONS ARE
NOMINAL

PRODUCT PROTECTED BY
ONE OR MORE US PATENTS
LEGAL NOTICE

GFT-P02

SHEET



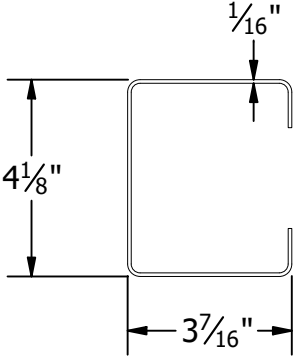
PART # TABLE			
P/N	DESCRIPTION	LENGTH	GAUGE
404037	TOP CHORD CHANNEL 20/30 LF	13'-2 9/16"	14 GAUGE

C-PILE ATTACHMENT POINT
(2 BOLT HOLE PATTERN)

DIAGONAL BRACE ATTACHMENT POINT
(2X -3 BOLT HOLE PATTERN)

EAST - WEST BEAM ATTACHMENT
HOLE PACKS

MANUFACTURING SLOT
(NOT USED)



1411 BROADWAY BLVD. NE
ALBUQUERQUE, NM 87102 USA
PHONE: 505.242.6411
WWW.UNIRAC.COM

PRODUCT LINE:	GFT
DRAWING TYPE:	PART DETAIL
DESCRIPTION:	TOP CHORD CHANNEL
REVISION DATE:	3/14/2024

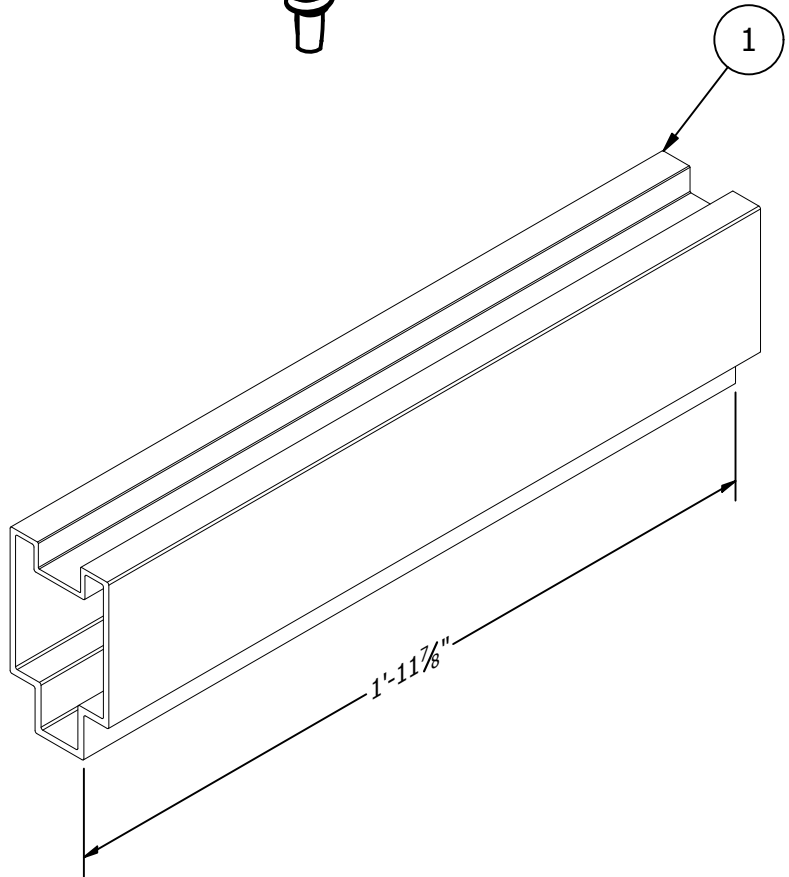
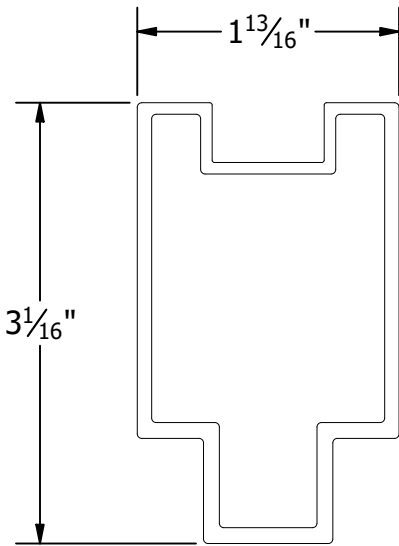
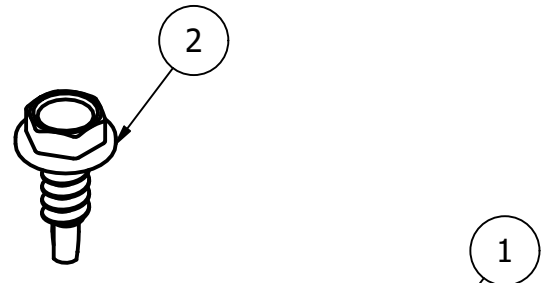
DRAWING NOT TO SCALE
ALL DIMENSIONS ARE
NOMINAL

PRODUCT PROTECTED BY
ONE OR MORE US PATENTS
LEGAL NOTICE

GFT-P03

SHEET

PART # TABLE		
P/N	DESCRIPTION	
404014	GFT RAIL SPLICE KIT	
PARTS LIST		
ITEM	QTY	DESCRIPTION
1	1	GFT RAIL SPLICE
2	2	SCREW, SLFDRL DP4, 1/4-20X1.125



UNIRAC[®]
 1411 BROADWAY BLVD. NE
 ALBUQUERQUE, NM 87102 USA
 PHONE: 505.242.6411
 WWW.UNIRAC.COM

PRODUCT LINE:	GFT
DRAWING TYPE:	PART DETAIL
DESCRIPTION:	GFT RAIL SPLICE
REVISION DATE:	4/2/2024

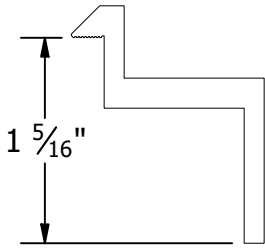
DRAWING NOT TO SCALE
 ALL DIMENSIONS ARE
 NOMINAL

PRODUCT PROTECTED BY
 ONE OR MORE US PATENTS

LEGAL NOTICE

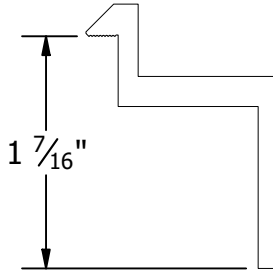
GFT-P04

SHEET



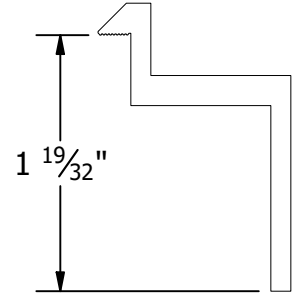
B CLAMP

30mm to 32mm Module Thickness
(1.18" to 1.26")



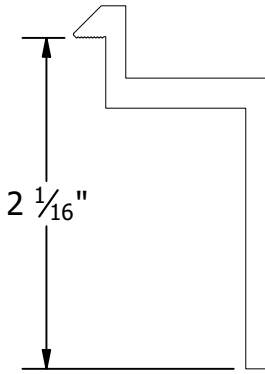
C CLAMP

33mm to 36mm Module Thickness
(1.30" to 1.42")



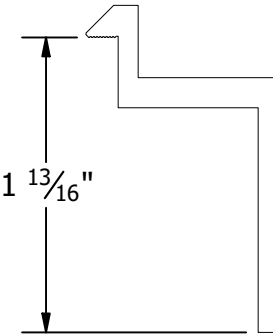
D CLAMP

38mm to 40mm Module Thickness
(1.50" to 1.57")



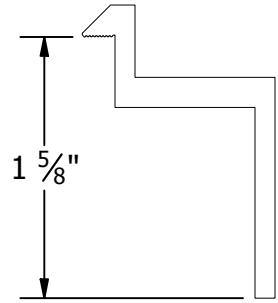
E CLAMP

50mm to 51mm Module Thickness
(1.97" to 2.00")



F CLAMP

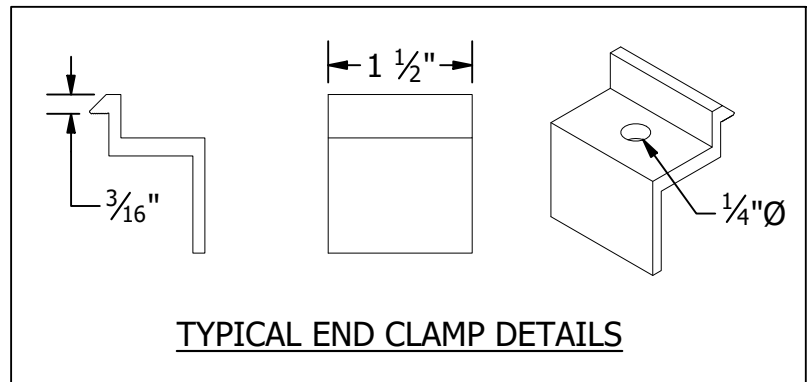
45mm to 47mm Module Thickness
(1.77" to 1.85")



K CLAMP

39mm to 41mm Module Thickness
(1.54" to 1.61")

PART # TABLE	
P/N	DESCRIPTION
302021C	SM ENDCLAMP B CLR AL
302021D	SM ENDCLAMP B DRK AL
302022C	SM ENDCLAMP C CLR AL
302022D	SM ENDCLAMP C DRK AL
302023C	SM ENDCLAMP D CLR AL
302023D	SM ENDCLAMP D DRK AL
303024C	SM ENDCLAMP E CLR AL
302024D	SM ENDCLAMP E DRK AL
302025C	SM ENDCLAMP F CLR AL
302025D	SM ENDCLAMP F DRK AL
302026C	SM ENDCLAMP K CLR AL
302026D	SM ENDCLAMP K DRK AL



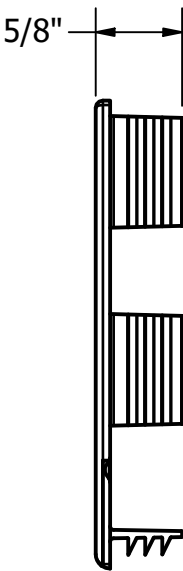
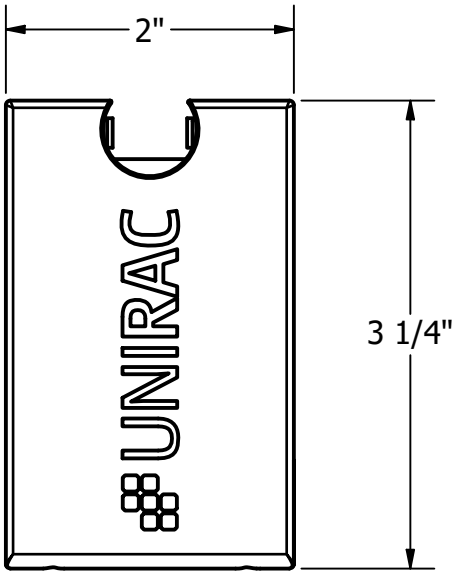
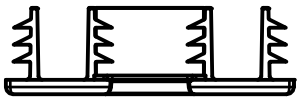
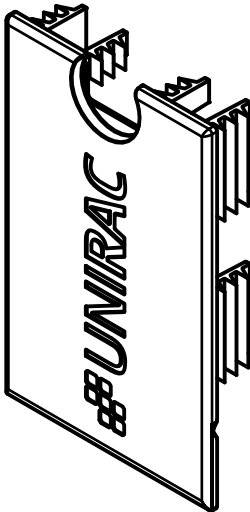
1411 BROADWAY BLVD. NE
ALBUQUERQUE, NM 87102 USA
PHONE: 505.242.6411
WWW.UNIRAC.COM

PRODUCT LINE:	SOLARMOUNT
DRAWING TYPE:	PART DETAIL
DESCRIPTION:	END CLAMPS - TOP MOUNTING
REVISION DATE:	4/3/2024

DRAWING NOT TO SCALE ALL DIMENSIONS ARE NOMINAL
PRODUCT PROTECTED BY ONE OR MORE US PATENTS LEGAL NOTICE

GFT-P05
SHEET

PART # TABLE	
P/N	DESCRIPTION
GFT-CAP	RAIL END CAP



UNIRAC[®]
 1411 BROADWAY BLVD. NE
 ALBUQUERQUE, NM 87102 USA
 PHONE: 505.242.6411
 WWW.UNIRAC.COM

PRODUCT LINE:	GFT
DRAWING TYPE:	PART DETAIL
DESCRIPTION:	END CAP
REVISION DATE:	3/19/2024

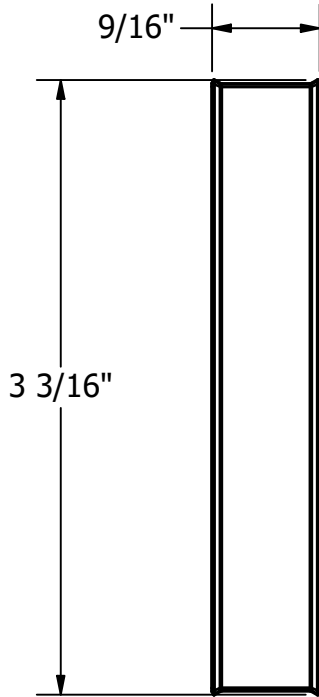
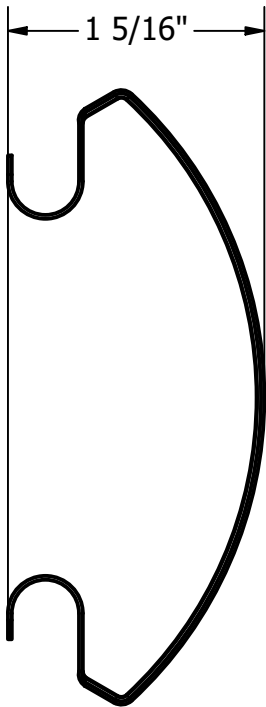
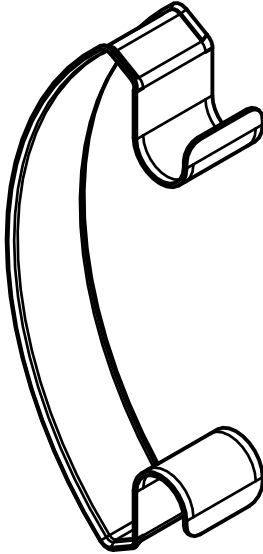
DRAWING NOT TO SCALE
 ALL DIMENSIONS ARE
 NOMINAL

PRODUCT PROTECTED BY
 ONE OR MORE US PATENTS

LEGAL NOTICE

GFT-P06
 SHEET

PART # TABLE	
P/N	DESCRIPTION
404015	WIER MGMT CLIP



1411 BROADWAY BLVD. NE
 ALBUQUERQUE, NM 87102 USA
 PHONE: 505.242.6411
 WWW.UNIRAC.COM

PRODUCT LINE:	GFT
DRAWING TYPE:	PART DETAIL
DESCRIPTION:	WIRE MGMT CLIP
REVISION DATE:	3/19/2024

DRAWING NOT TO SCALE
 ALL DIMENSIONS ARE
 NOMINAL

PRODUCT PROTECTED BY
 ONE OR MORE US PATENTS

LEGAL NOTICE

GFT-P07
 SHEET