

DESCRIPTION:
SNAPNRACK, BONDING PIPE CLAMP FOR 1-1/2"

DOC NUMBER:
 SNR-DC-01391

SnapNrack®

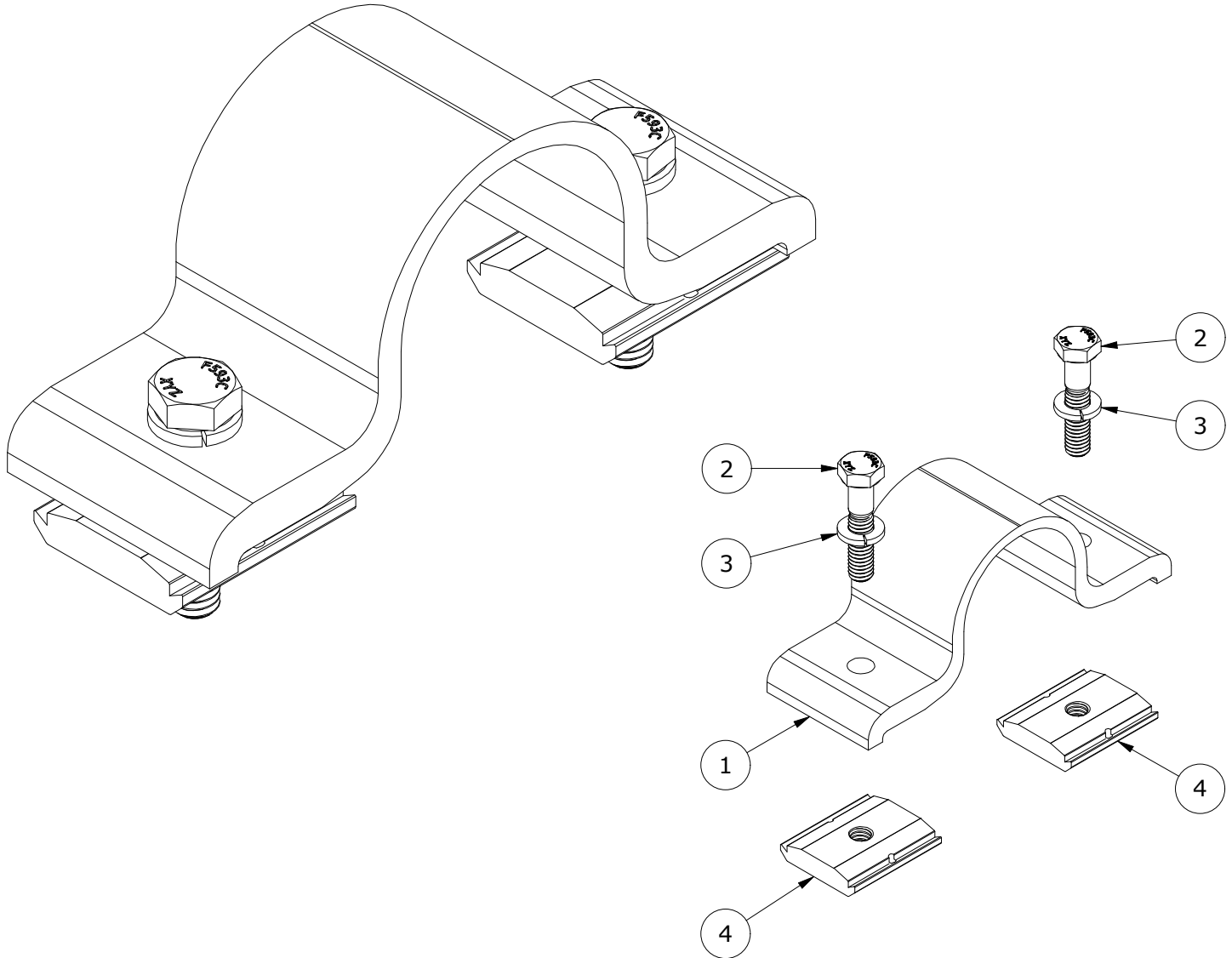
PART NUMBER(S):
 242-09004

DRAWN BY:
 D. Ryan

REV: **B** DATE:
 1/20/2023

SUNRUN INSTALLATION SERVICES INC.
 225 BUSH STREET, SUITE 1400 • SAN FRANCISCO, CA 94104 USA
 PHONE (877) 732-2860 • CONTACT@SNAPNRACK.COM
THE INFORMATION IN THIS DRAWING IS CONFIDENTIAL AND PROPRIETARY. ANY REPRODUCTION, DISCLOSURE, OR USE THEREOF IS PROHIBITED WITHOUT THE WRITTEN CONSENT OF SUNRUN SOUTH LLC.

UNITS: IN, LB, DEG [MM, KG, DEG] SHEET: 1:2



PARTS LIST		
ITEM	QTY	DESCRIPTION
1	1	SNAPNRACK, PIPE CLAMP FOR 1-1/2IN, MILL
2	2	5/16IN-18 X 1-1/2IN SS HCS BOLT
3	2	5/16IN SS SPLIT LOCK WASHER
4	2	SNAPNRACK, BONDING CHANNEL NUT

MATERIALS:	6000 SERIES ALUMINUM, STAINLESS STEEL
DESIGN LOAD (LBS):	800 UP
ULTIMATE LOAD (LBS):	4360 UP (ULTIMATE LOAD NOT REACHED)
TORQUE SPECIFICATION:	12 FT-LBS
CERTIFICATION:	UL 2703, FILE E359313
WEIGHT (LBS):	0.48

DESCRIPTION:
SNAPNRACK, BONDING PIPE CLAMP FOR 1-1/2"

DOC NUMBER:
SNR-DC-01391

SnapNrack®

PART NUMBER(S):
242-09004

DRAWN BY:
D. Ryan

REV: **B** DATE: 1/20/2023

SUNRUN INSTALLATION SERVICES INC.
225 BUSH STREET, SUITE 1400 • SAN FRANCISCO, CA 94104 USA
PHONE (877) 732-2860 • CONTACT@SNAPNRACK.COM
THE INFORMATION IN THIS DRAWING IS CONFIDENTIAL AND PROPRIETARY. ANY REPRODUCTION, DISCLOSURE, OR USE THEREOF IS PROHIBITED WITHOUT THE WRITTEN CONSENT OF SUNRUN SOUTH LLC.

UNITS: IN, LB, DEG [MM, KG, DEG] SHEET: 2:2

