

S-5![®]

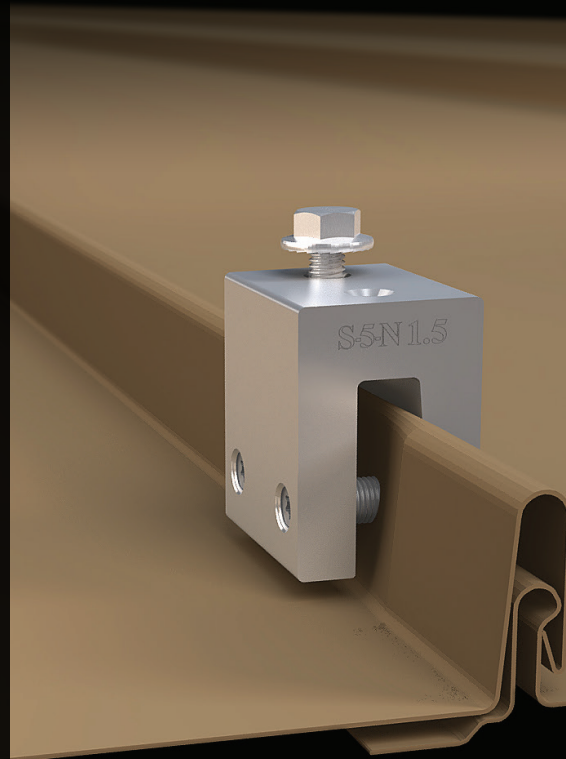
The Right Way![®]

S-5-N 1.5 Clamp

S-5-N 1.5 and S-5-N 1.5 Mini clamps were designed with patented S-5![®] zero-penetration technology for application on the popular 1.5" nail strip metal roof profiles and roofing types with similar profiles. The clamp boasts an angular throat that accommodates most nail strip profiles, minimizing the need to field crimp. An angled wall with a nose permits the S-5-N 1.5 to engage the triangle type profiles during the installation process—there is no longer a need to hold the clamp in place while setscrews are tensioned. The combination of these two features allows the clamp to sit straighter on the seam. Nail strip profiles just got a whole lot simpler!

S-5-N 1.5 Mini Clamp

The S-5-N 1.5 Mini is a bit shorter than the S-5-N 1.5 and has one setscrew rather than two. The mini is the choice for attaching all kinds of rooftop accessories: signs, walkways, satellite dishes, antennas, rooftop lighting, lightning protection systems, solar arrays, exhaust stack bracing, conduit, condensate lines, mechanical equipment—just about anything!*



The S-5-N 1.5 clamp is designed for use on the most popular 1.5" nail strip metal roofs.

*S-5! Mini clamps are not compatible with, and should not be used with, S-5! SnoRail™/SnoFence™ or ColorGard® snow retention systems.

The right way to attach almost anything to metal roofs!

S-5-N 1.5 and S-5-N 1.5 Mini



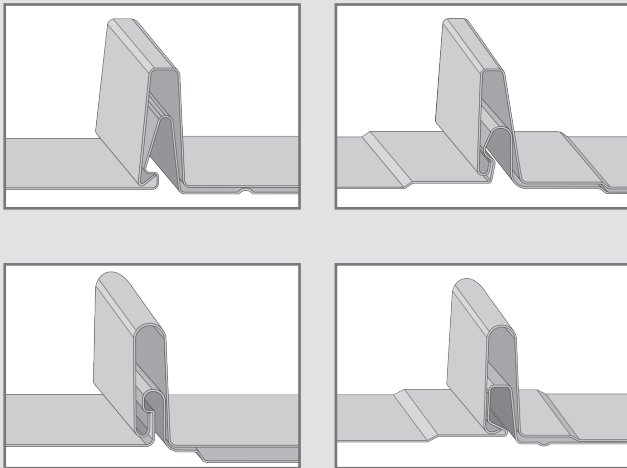
888-825-3432 | www.S-5.com

The S-5-N 1.5 boasts a angular throat that accommodates most nail strip profiles, minimizing the need to field crimp.

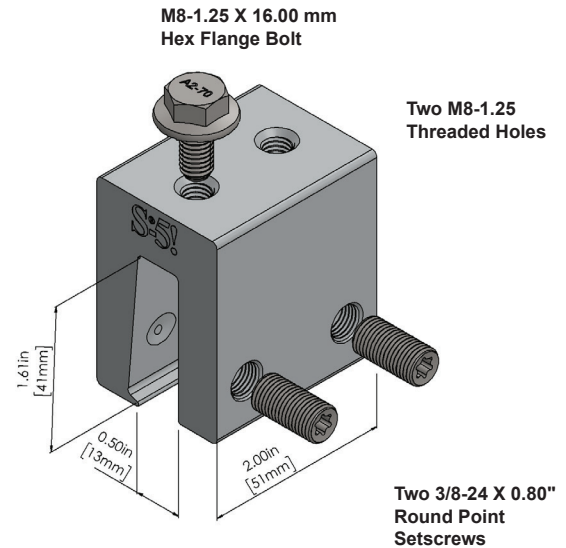
The **S-5-N 1.5** and **S-5-N 1.5 Mini clamps** are each furnished with the hardware shown to the right. Each box also includes a bit tip for tightening setscrews using an electric screw gun. A structural aluminum attachment clamp, the S-5-N 1.5 is compatible with most common metal roofing materials excluding copper. All included hardware is 300 series stainless steel. Please visit www.S-5.com for more information including CAD details, metallurgical compatibilities, and specifications.

The S-5-N 1.5 clamp has been tested for load-to-failure results on most major brands of 1.5" nail strip profiles of standing seam roofing. The independent lab test data found at www.S-5.com can be used for load-critical designs and applications. S-5![®] holding strength is unmatched in the industry.

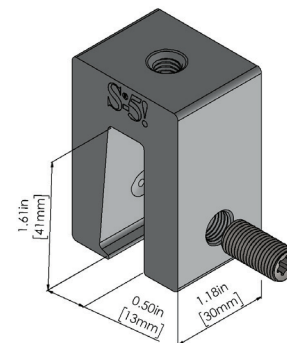
Example Profiles



S-5-N 1.5 Clamp



S-5-N 1.5 Mini Clamp



S-5![®] Warning! Please use this product responsibly!

Products are protected by multiple U.S. and foreign patents. Visit the website at www.S-5.com for complete information on patents and trademarks. Consult the S-5! website at www.S-5.com for published data regarding installation instructions and holding strength.

Copyright 2021, Metal Roof Innovations, Ltd. S-5! products are patent protected. S-5! aggressively protects its patents, trademarks, and copyrights. Version 083021.

Distributed by