

# S-5!<sup>®</sup>

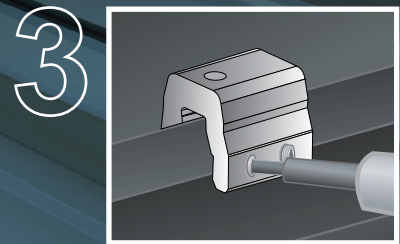
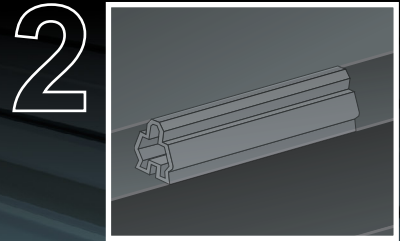
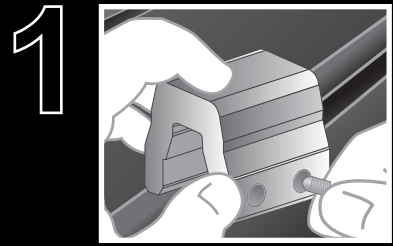
## The Right Way!

### S-5-KHD Clamp

The S-5-KHD is the most heavy-duty and durable clamp in the S-5!<sup>®</sup> family. Designed primarily for new construction, this clamp fits the very distinctive profiles of the Lysaght<sup>®</sup> Klip-Lok<sup>®</sup> 406, McElroy Mirage, Metal Sales Clip-Loc, and AEP Span Klip-Rib<sup>®</sup>. This clamp features an insert that is placed on the intermediate seam for extra hold. Significantly stronger than anything else on the market for these profile types, this clamp is geared for snow retention systems and other heavy duty applications in new construction where holding strength is critical. More strength means fewer rows of assembly, and roof warranties remain intact with zero-penetration S-5! technology.

For load critical applications such as snow retention and attaching solar panels, the assembly should be specifically engineered to each individual project for maximum protection. See [www.S-5.com](http://www.S-5.com) for full details.

In new construction, installation is as easy as snapping the S-5-KHD insert into the proper position under the roof panel, avoiding clips. Next, install the roof and place the S-5-KHD clamp above the insert on top of the installed panel. Tighten setscrews (two on each side) to specified tension. Then, affix ancillary items using the bolt provided. For more detailed installation instructions, including steps for retrofit construction, see the full S-5-KHD installation instructions available from your distributor and at [www.S-5.com](http://www.S-5.com).



The S-5-KHD clamp features an insert that is placed on the intermediate seam for extra hold.

S-5-KHD

888-825-3432 | [www.S-5.com](http://www.S-5.com)

The right way to attach almost anything to metal roofs!

# S-5!<sup>®</sup>

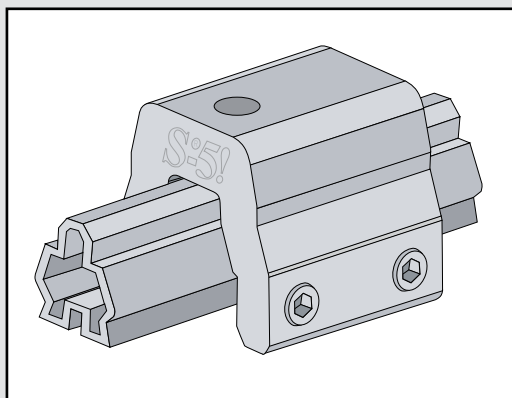
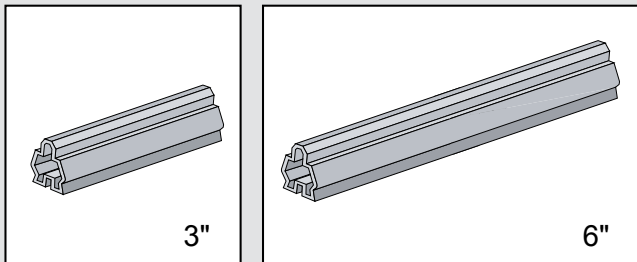
The Right Way!

The strength of the S-5-KHD clamp is in its simple design. The patented setscrews will slightly dimple the metal seam material but not pierce it—leaving roof warranties intact.

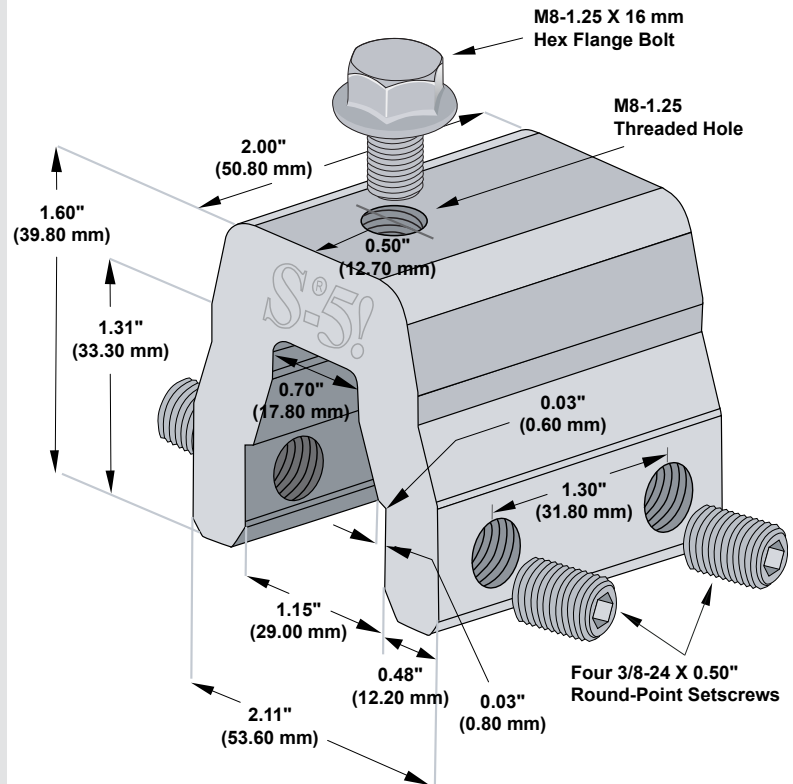
The S-5-KHD clamp is furnished with the hardware shown to the right. Each box also includes a bit tip for tightening the four setscrews using an electric screw gun. A structural aluminum attachment clamp, the S-5-KHD is compatible with most common metal roofing materials excluding copper. All included hardware is stainless steel. Please visit [www.S-5.com](http://www.S-5.com) for more information including CAD details, metallurgical compatibilities and specifications.

The S-5-KHD clamp has been tested for load-to-failure results on a variety of relevant profiles from leading manufacturers of panels. The independent lab test reports found on our website at [www.S-5.com](http://www.S-5.com) prove that S-5!<sup>®</sup> holding strength is unmatched in the industry.

## S-5-KHD Insert Options

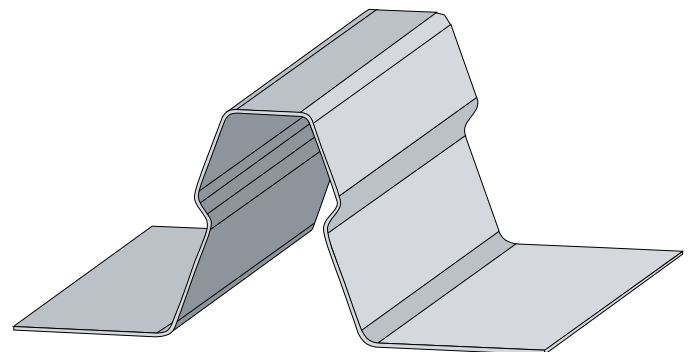


## S-5-KHD Clamp



Please note: All measurements are rounded to the second decimal place.

## Example Profile



### S-5!<sup>®</sup> Warning! Please use this product responsibly!

Products are protected by multiple U.S. and foreign patents. Visit the website at [www.S-5.com](http://www.S-5.com) for complete information on patents and trademarks. For maximum holding strength, setscrews should be tensioned and re-tensioned as the seam material compresses. Clamp setscrew tension should be verified using a calibrated torque wrench between 160 and 180 inch pounds when used on 22ga steel, and between 130 and 150 inch pounds for all other metals and thinner gauges of steel. Consult the S-5! website at [www.S-5.com](http://www.S-5.com) for published data regarding holding strength.

Copyright 2015, Metal Roof Innovations, Ltd. S-5! products are patent protected. S-5! aggressively protects its patents, trademarks, and copyrights. Version 031915.

Distributed by