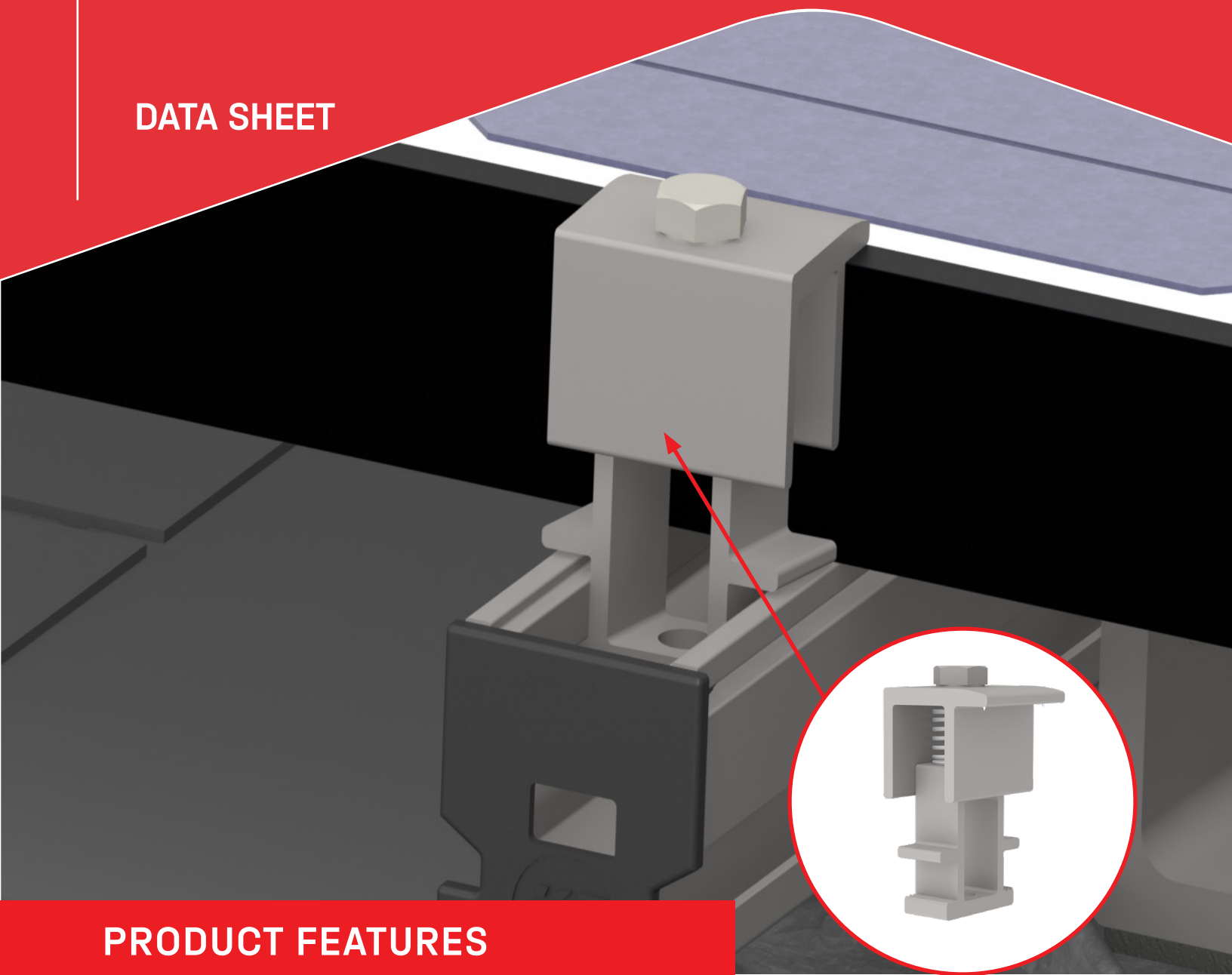


K2 End Clamp



DATA SHEET



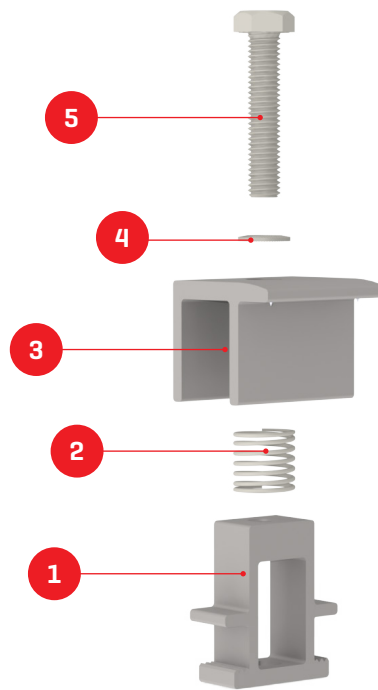
PRODUCT FEATURES

- / New and improved design
- / One handed and one tool installation
- / UL 2703 listed for mounting and bonding
- / Self aligns in rail

TECHNICAL DATA



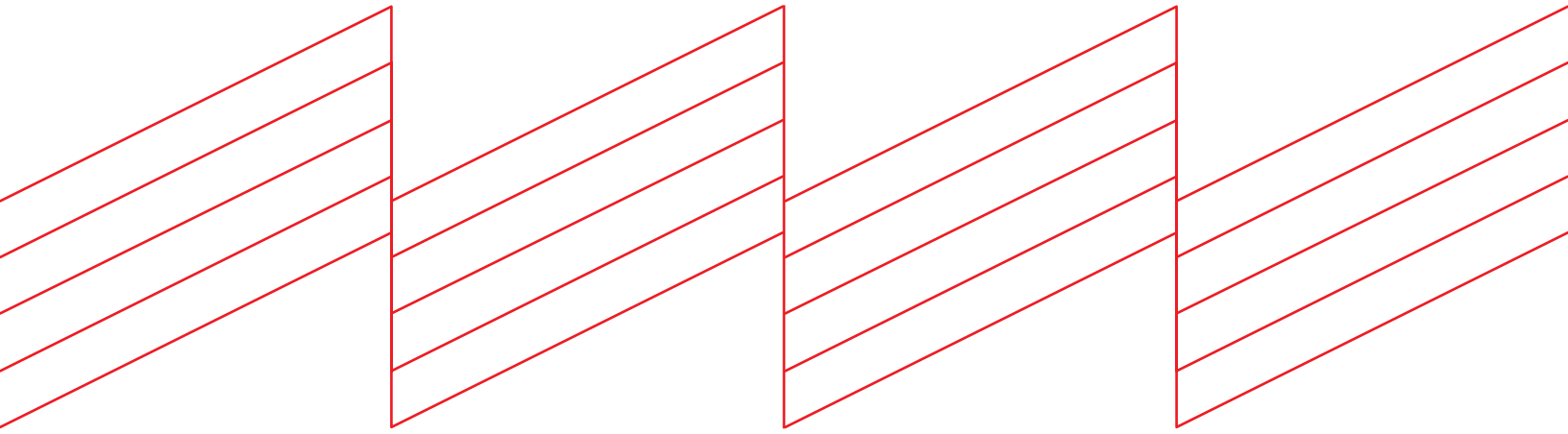
	K2 End Clamp
Compatible module frame size	27-40mm
Material	Stainless steel and aluminum
Finish	Mill or dark
Compatibility	CrossRail 44-X, 48-X, 48-XL, 80, MiniRail
Box quantity	20



Item Number	Description	Part Number
1	K2 End Clamp Bottom, Mill	4000197 K2 End Clamp Set, Mill
2	Clamp Springs, 26.0 mm Length	4000233 K2 End Clamp Set, Dark
3	K2 End Clamp Top, Mill	
4	Lock Washer S8 13x8.4x8 mm SS	
5	Hex Head Bolt, M8x40	



Connecting Strength



K2 Systems, LLC

4665 North Ave. Suite I • Oceanside, CA 92056 •
USA +1.760.301.5300 • infous@k2-systems.com
www.k2-systems.com