



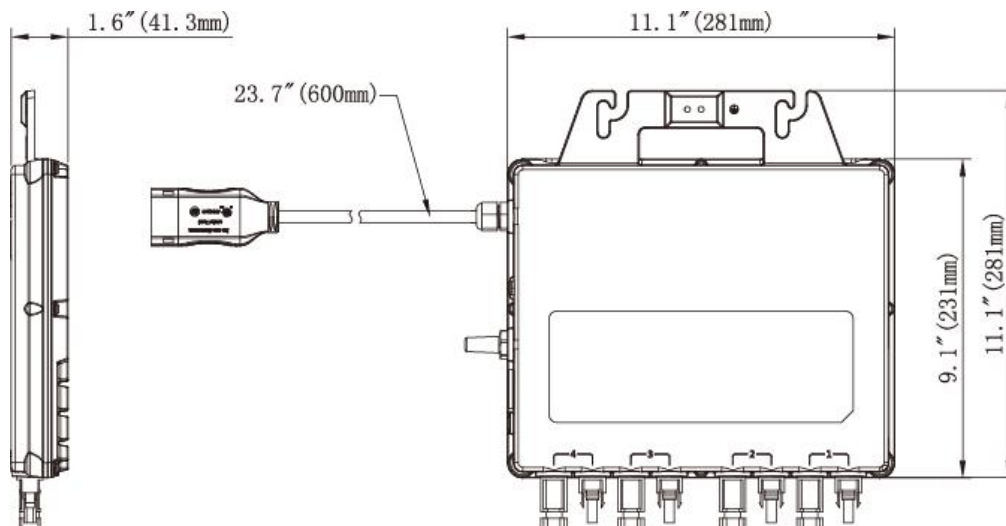
Leading the Industry in
Solar **Microinverter** Technology



QS1 Microinverter

- Single unit connects up to four solar modules
- 4 input channels with independent MPPT and monitoring function
- Maximum continuous output power up to 1200W
- Auto disconnection device integrated

DIMENSIONS



The APsystems QS1 is a grid-tied microinverter with intelligent networking and advanced monitoring systems to ensure maximum efficiency. High efficiency, high reliability of the QS1 with 4 independent MPPT inputs, Maximum AC output power reaching 1200W. Quarter the inverters and quarter the installation means real cost savings for residential and commercial customers.

QS1200 Microinverter Datasheet

Region	APAC
Model	QS1-SAA
Input Data (DC)	
Recommended PV Module Power (STC) Range	250Wp-440Wp+
MPPT Voltage Range	22V-48V
Operation Voltage Range	16V-55V
Maximum Input Voltage	60V
Startup Voltage	20V
Maximum Input Current	12A×4
Output Data (AC)	
Maximum Continuous Output Power	1200W
Peak Output Power	1250W
Nominal Output Voltage/Range	230V/184V-253V
Adjustable Output Voltage Range	160V-278V
Nominal Output Current	5.22A
Maximum Units Per Branch	3units per 20A AC breaker/4units per 25A AC breaker
Nominal Output Frequency/Range	50Hz/48Hz-51Hz
Adjustable Output Frequency Range	45.1Hz-54.9Hz
Power Factor	>0.99
Total Harmonic Distortion	<3%
Efficiency	
Peak Efficiency	96.5%
Nominal MPPT Efficiency	99.5%
Night Power Consumption	30mW
Mechanical Data	
Operating Ambient Temperature Range	-40°C to +65°C
Storage Temperature Range	-40°C to +85°C
Dimensions (W x H x D)	281mm × 231mm × 41.3mm
Weight	4.5kg
AC BUS Maximum Current	20A(2.5mm ²)
Enclosure Environmental Rating	IP67
Pollution Degree Classification	PD3
Cooling	Natural Convection - No Fans
Operate relative humidity range	4%~100%
Maximum altitude	<2000m
Overvoltage Category	OVC II For PV Input Circuit, OVC III For Mains Circuit
Features & Compliance	
Communication	Wireless
Transformer Design	High Frequency Transformers, Galvanically Isolated
Monitoring	Via EMA* Online Portal
Warranty	10 Years Standard ; 15 Years Optional
Certificate&Compliance	
Grid Connection Compliance	IEC 61727

*APsystems online Energy Management Analysis (EMA) platform

© All Rights Reserved

Specifications subject to change without notice
please ensure you are using the most recent update found at www.APsistemas.com