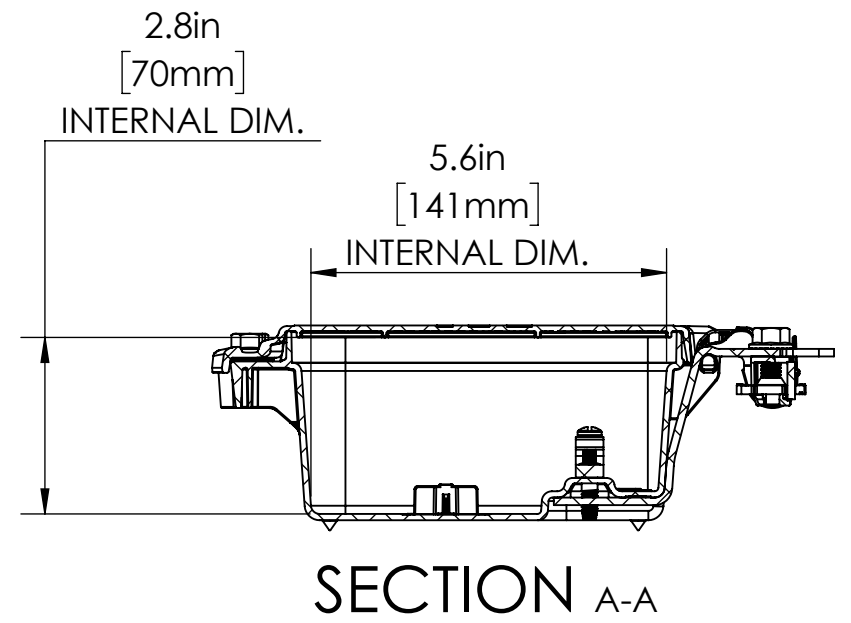
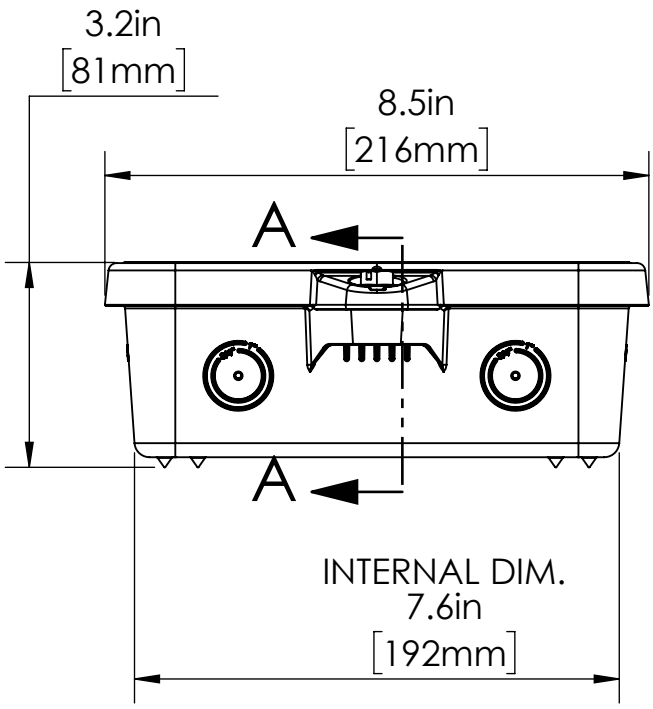
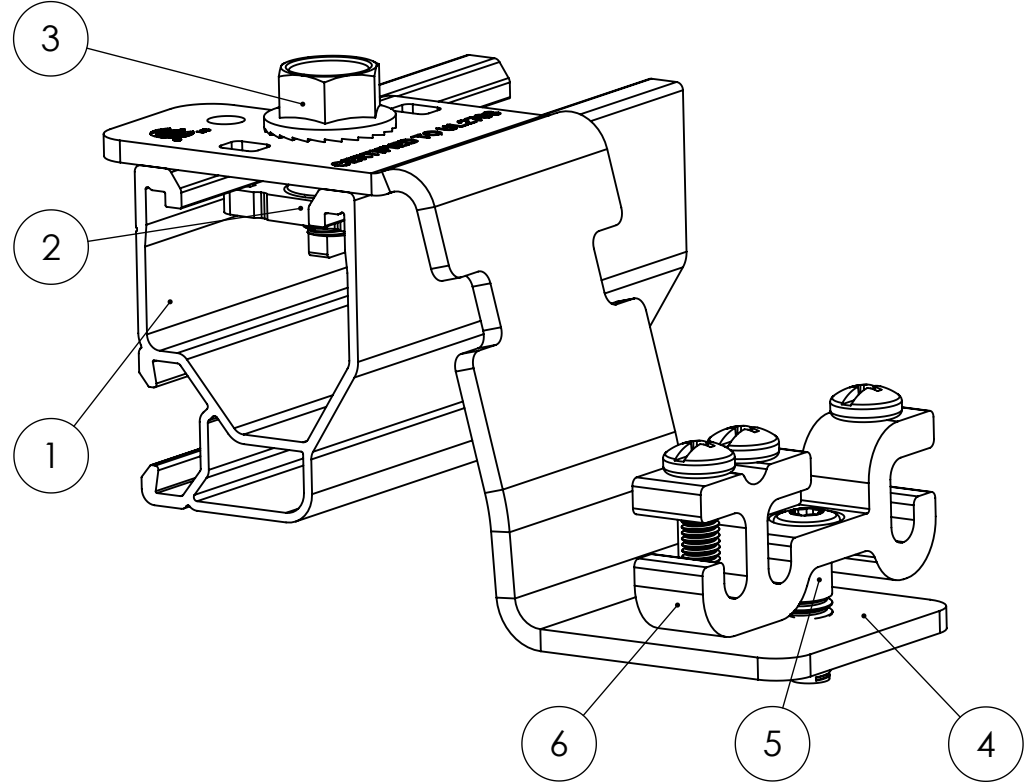
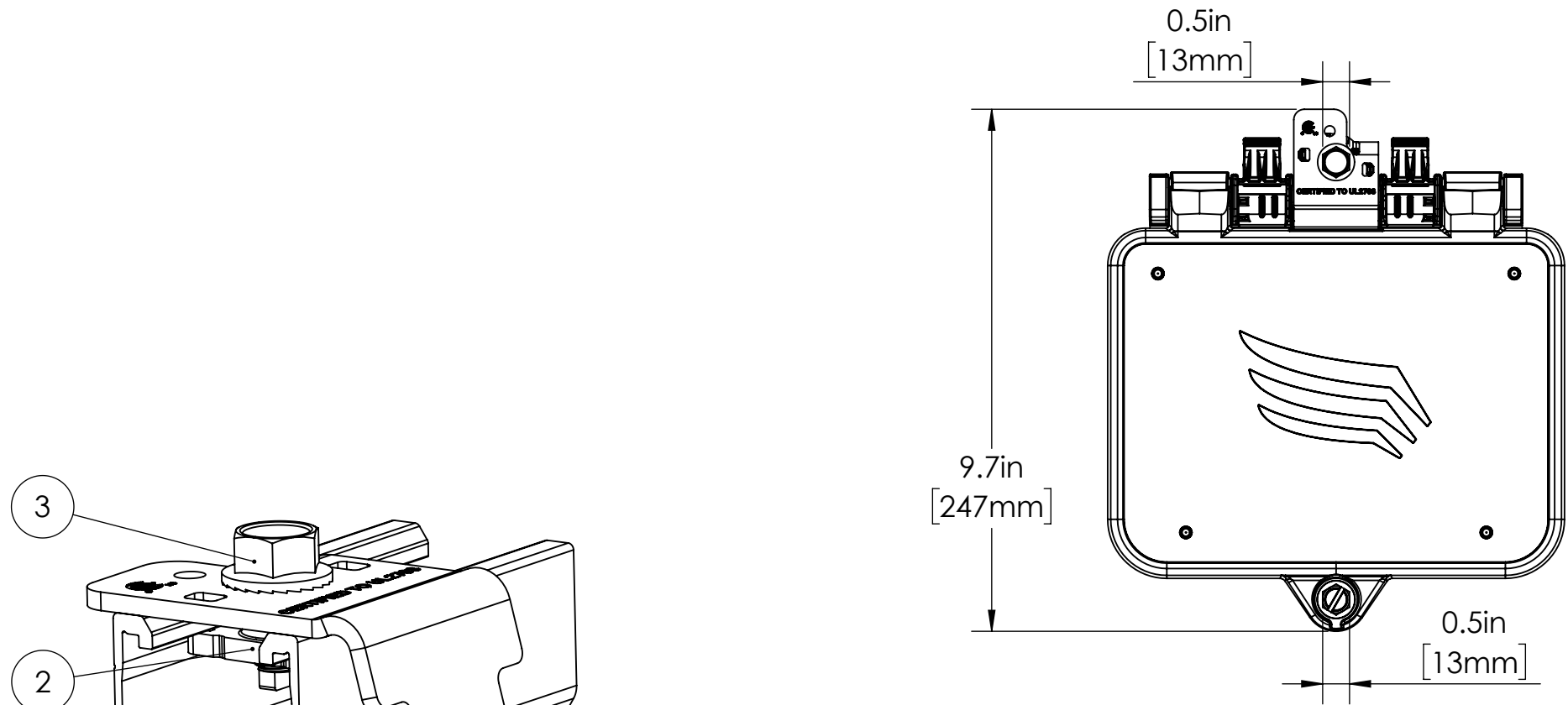


REVISIONS				
ZONE	REV.	DESCRIPTION	DATE	APPROVED
	1	INITIAL RELEASE	20240209	I. WOGAN
	2	GROUNDING PATH DETAILED	20240522	I. WOGAN



GROUNDING PATH	
1	PEGASUS RAIL
2	RAIL GROUNDING NUT
3	RAIL FASTENER
4	GROUNDING BRACKET
5	GROUND LUG TO BRACKET FASTENER
6	3 POSITION GROUND LUG

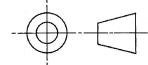
PROPRIETARY AND CONFIDENTIAL
 THE INFORMATION CONTAINED IN THIS DRAWING IS THE SOLE PROPERTY OF PEGASUS SOLAR INC. ANY REPRODUCTION IN PART OR AS A WHOLE WITHOUT THE WRITTEN PERMISSION OF PEGASUS SOLAR INC IS PROHIBITED.


COMMENTS:
 INTERNAL VOLUME:
 11.5 CU. INCHES [1900 CU. cm]

 WEIGHT:
 1.2 LBS [527 GRAMS]

UNLESS OTHERWISE SPECIFIED:
 DIMENSIONS ARE IN INCHES

 INTERPRET DRAWING PER
 ASME Y14.5-2009


 3RD ANGLE PROJECTION

TITLE:			
BOND BOX			
PART NUMBER:		PSR-BBOX	
DRAWN: I. WOGAN		SIZE	REV
CHECKED:		B	2
DATE: 20240209	SCALE: 1:3	SHEET 1 OF 1	