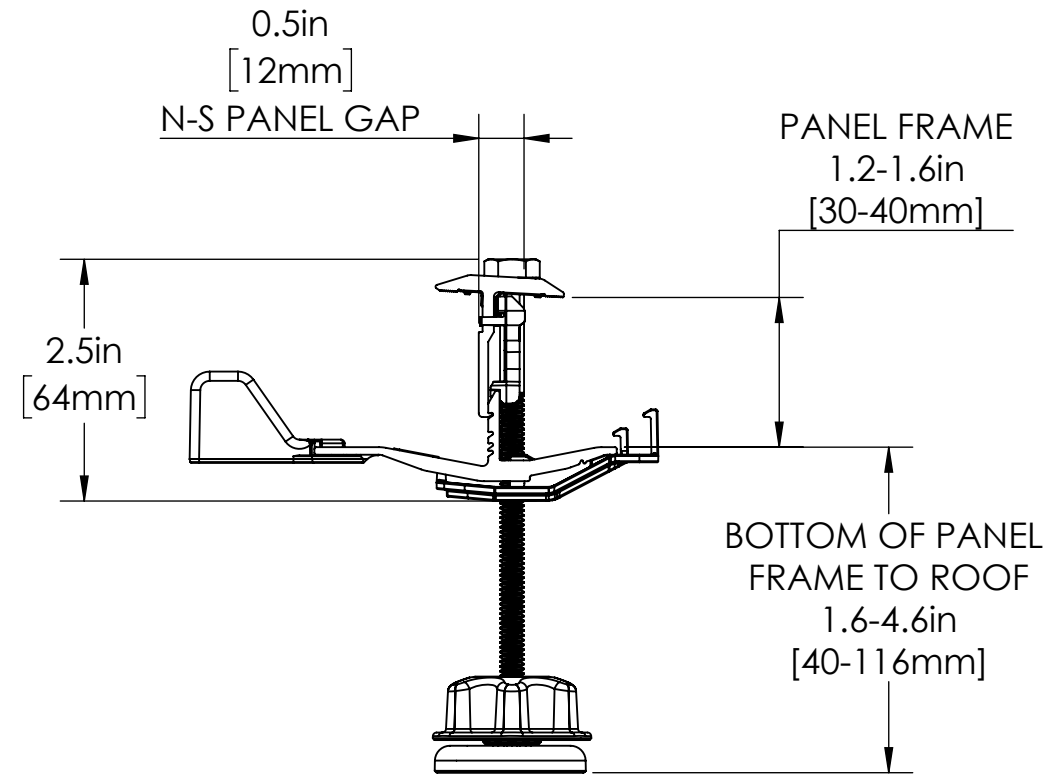
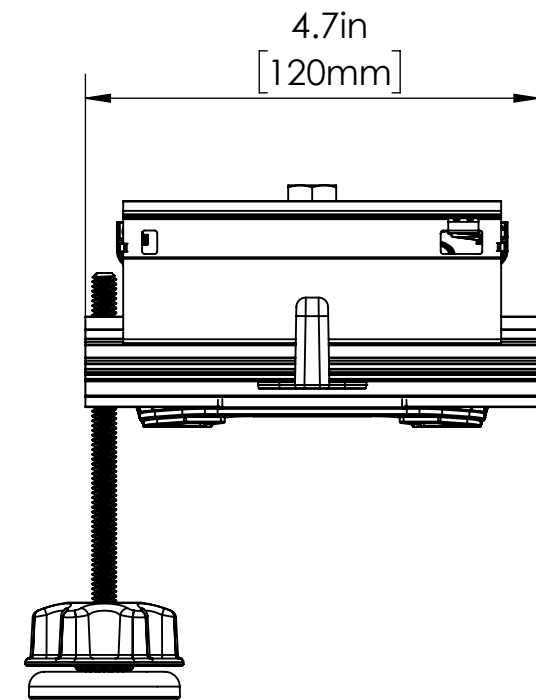
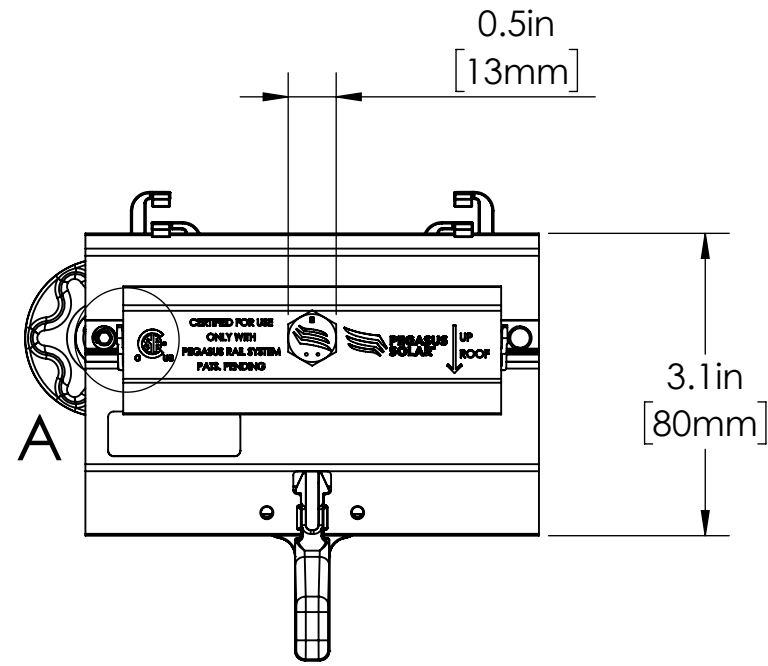
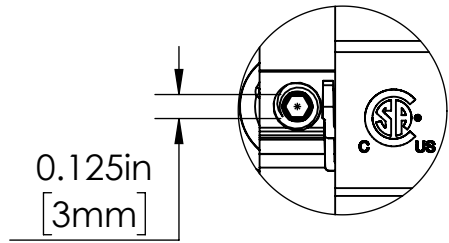


DETAIL A
SCALE 1:1

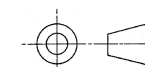


PROPRIETARY AND CONFIDENTIAL
THE INFORMATION CONTAINED IN THIS DRAWING IS THE SOLE PROPERTY OF PEGASUS SOLAR INC. ANY REPRODUCTION IN PART OR AS A WHOLE WITHOUT THE WRITTEN PERMISSION OF PEGASUS SOLAR INC IS PROHIBITED.

COMMENTS:

UNLESS OTHERWISE SPECIFIED: DIMENSIONS ARE IN INCHES

INTERPRET DRAWING PER ASME Y14.5-2009



3RD ANGLE PROJECTION

TITLE: SKIP RAIL CLAMP with KICKSTAND			
PART NUMBER: PSR-SRCK		SIZE	REV
DRAWN: I. WOGAN		B	1
CHECKED:			
DATE: 20230503	SCALE: 1:2	SHEET 1 OF 1	