

# NPA30S-12J-N

## Monocrystalline Module

33 Cell

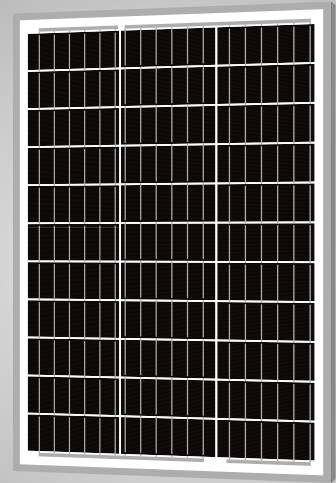
Monocrystalline Module

30W

Power Output

22.0%

Maximum Efficiency



### 10BB Cell Technology

- 22.0% max efficiency with 10BB Multibusbar technology enabling maximum BOS savings
- Multibusbar M10 Mono Half-Cell uplifted with PERC technology to guarantee higher output power and maximum module efficiency



### Extreme Weather Simulation

- Withstood 1.375" diameter hailstones falling at terminal velocity
- Rugged design with hail/snow tolerance up to 5400 Pa positive load and high wind tolerance up to 2400 Pa negative load



### Efficient Sorting Process

- Identify and mitigate against damaged/color-deviating/chipped cells
- Standardized cell efficiency testing to ensure optimal PV output

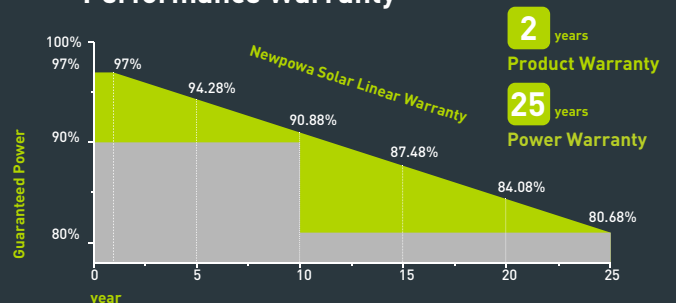


### Highly Reliable

- Robust encapsulation and diffusion barriers provide long term protection against PID damage
- Adaptability to temperatures below 0°F to 149°F

Positive mechanical load >5400Pa  
 Positive Power Tolerance 0~+5W  
 Warranty 25-year Linear Power Warranty

### Performance Warranty



## ELECTRICAL CHARACTERISTICS

Type	NPA30S-12J-N
Power Output(W)	30W
Voltage MPP Vmp(V)	19.01V
Current MPP Imp(A)	1.58A
Voltage Open Circuit Voc(V)	22.31V
Short Circuit Current Isc(A)	1.69A
Temperature Coefficient Of Voc	-0.28%/°C
Temperature Coefficient Of Isc	+0.05%/°C
Temperature Coefficient Of Power	-0.36%/°C
NOCT (Air 20°C; Sun 0.8kW/m <sup>2</sup> wind 1m/s)	45±2°C

STC: 1000W/m<sup>2</sup> Irradiance, 25°C module temperature, AM1.5g spectrum according to EN 60904-3

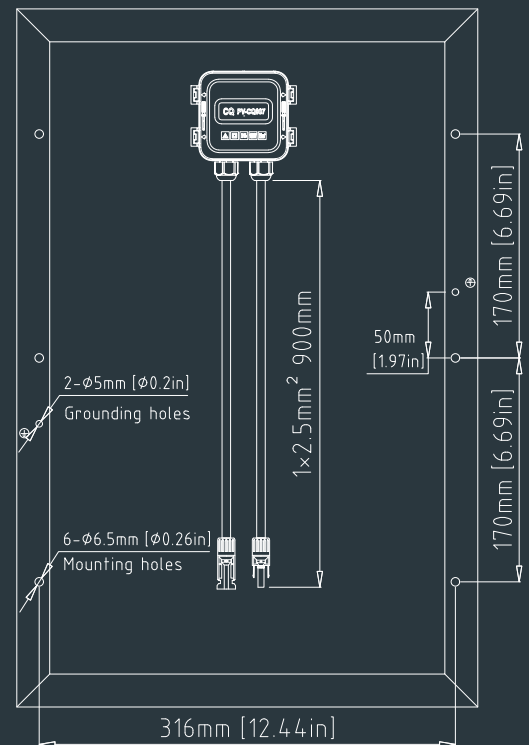
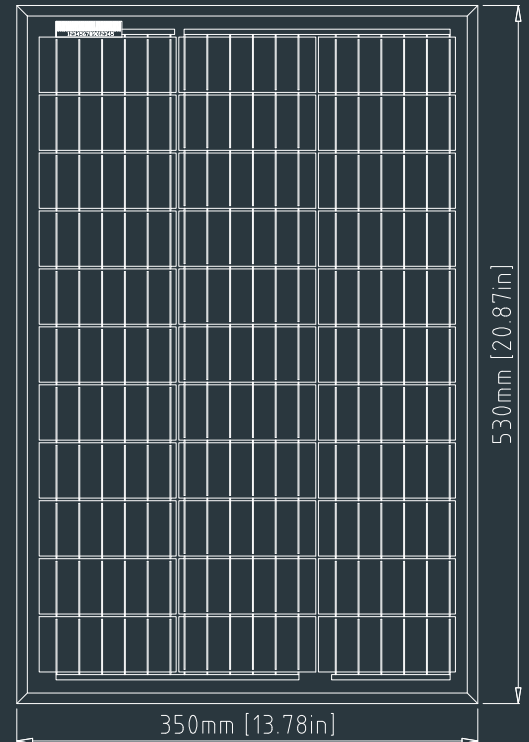
## MECHANICAL CHARACTERISTICS

Cells	Monocrystalline Silicon
Solar Cells Grade	Class A High Efficiency
Module Dimension(in./mm)	20.87[530]x13.78[350]x1.1[28]
Weight(lbs/kg)	4.95[2.25]
Packing Information	22.64[575]x15.55[395]x2.48[63]/1pc/ctn

## I-V CURVES (Irradiance: AM1.5, 1kw/m<sup>2</sup>)



\*Specifications subject to technical changes and tests.  
NEWPOWA reserves the right of final interpretation.



702-628-7600



sales@newpowa.com



www.newpowa.com



3633 Inland Empire Blvd, Ste 600, Ontario, CA 91764