

**UNIRAC**<sup>®</sup>  
 1411 BROADWAY BLVD. NE  
 ALBUQUERQUE, NM 87102 USA  
 PHONE: 505.242.6411  
 WWW.UNIRAC.COM

PRODUCT LINE:	GRIDFLEX
DRAWING TYPE:	ASSEMBLY
DESCRIPTION:	MODULE ASSEMBLY
REVISION DATE:	9/15/2021

DRAWING NOT TO SCALE  
 ALL DIMENSIONS ARE  
 NOMINAL

PRODUCT PROTECTED BY  
 ONE OR MORE US PATENTS

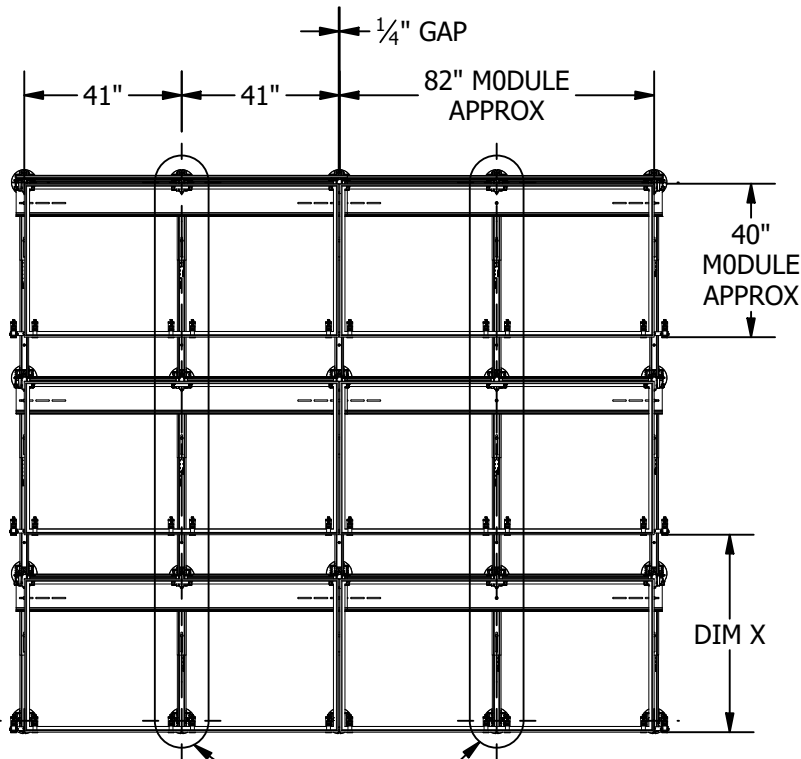
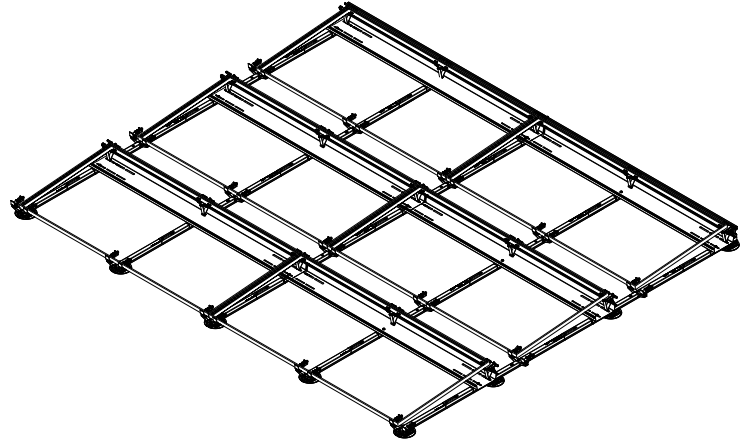
LEGAL NOTICE

GF-A01

SHEET

**NOTE:**

1. ARRAY DIMENSIONS WILL VARY BASED ON MODULE WIDTH & LENGTH.

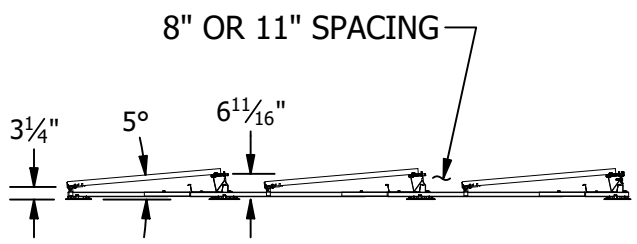


MODULE WIDTH	SCALE SETTING	DIM "X"	
		8" ROW SPACING	11" ROW SPACING
38-38.5"	38.5	46.42	49.42
38.51-39"	39	46.92	49.92
39.01-39.5"	39.5	47.42	50.42
39.51-40"	40	47.92	50.92
40.01-40.5"	40.5	48.42	51.42
40.51-41"	41	48.92	51.92
41.01-41.5"	41.5	49.42	52.42
41.51-42"	42	49.92	52.92
42.01-42.5"	42.5	50.42	53.42
42.51-43"	43	50.92	53.92
43.01-43.5"	43.5	51.42	54.42
43.51-44.65"	44	51.92	54.92

OPTIONAL THIRD RAIL



FRONT



RIGHT SIDE

1411 BROADWAY BLVD. NE  
ALBUQUERQUE, NM 87102 USA  
PHONE: 505.242.6411  
WWW.UNIRAC.COM

PRODUCT LINE:	GRIDFLEX
DRAWING TYPE:	ASSEMBLY
DESCRIPTION:	MODULE ASSEMBLY
REVISION DATE:	3/18/2021

DRAWING NOT TO SCALE  
ALL DIMENSIONS ARE  
NOMINAL

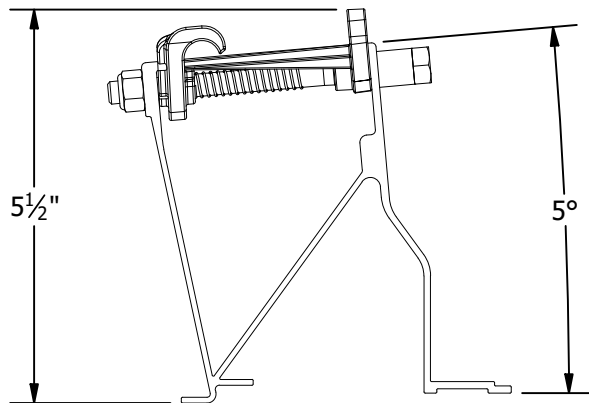
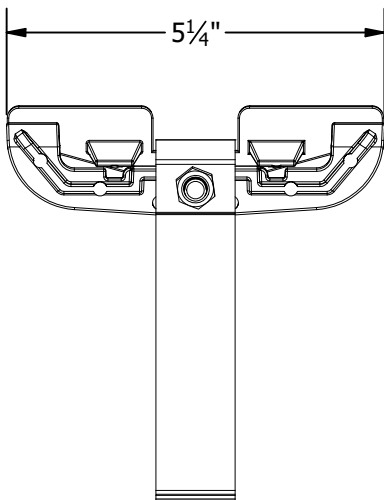
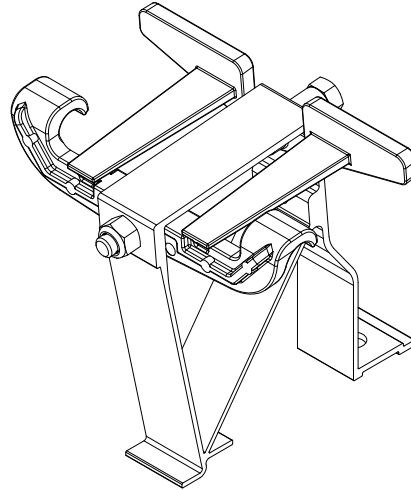
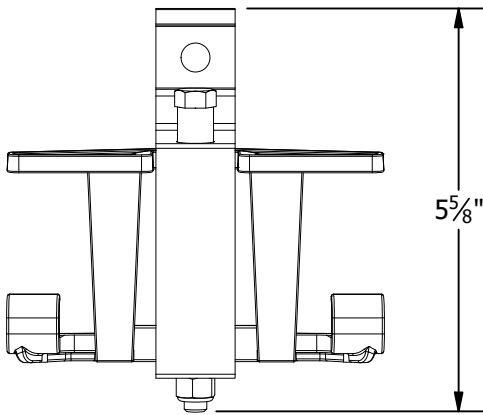
PRODUCT PROTECTED BY  
ONE OR MORE US PATENTS

LEGAL NOTICE

GF-A02

SHEET

PART # TABLE	
P/N	DESCRIPTION
360041	NORTH CLAMP ASSEMBLY



1411 BROADWAY BLVD. NE  
 ALBUQUERQUE, NM 87102 USA  
 PHONE: 505.242.6411  
 WWW.UNIRAC.COM

PRODUCT LINE:	GRIDFLEX
DRAWING TYPE:	ASSEMBLY
DESCRIPTION:	NORTH CLAMP
REVISION DATE:	9/15/2021

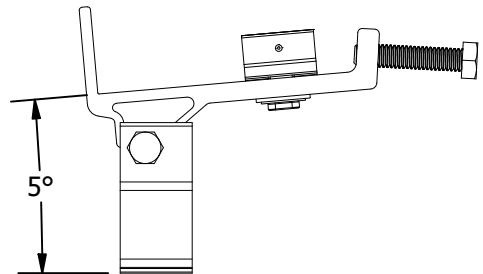
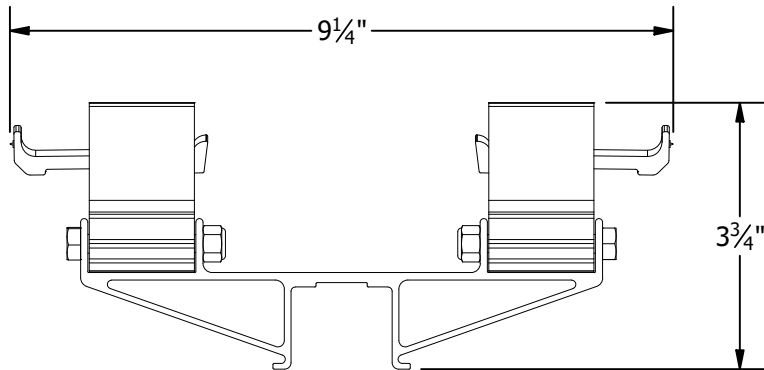
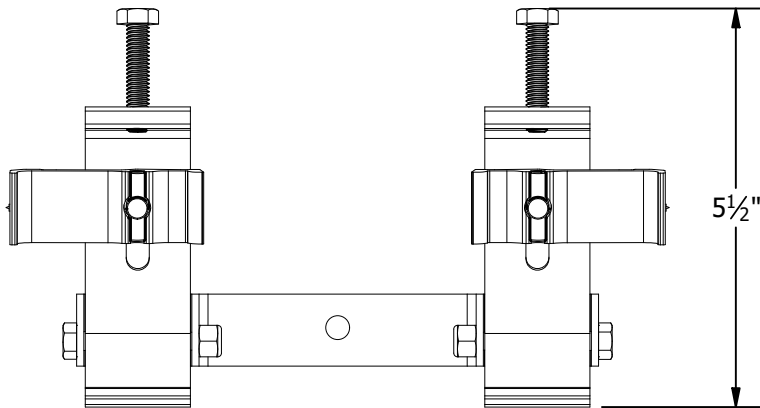
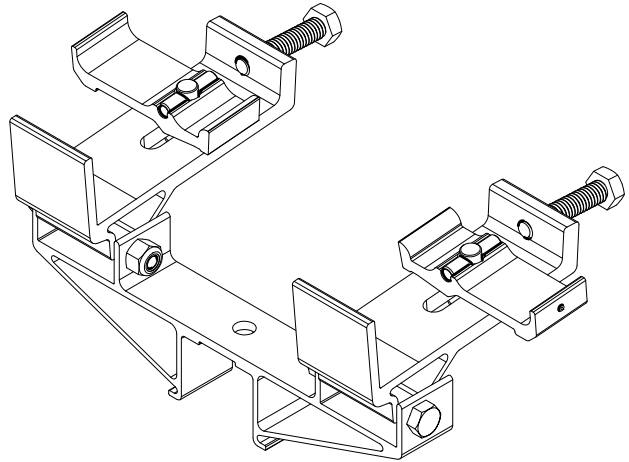
DRAWING NOT TO SCALE  
 ALL DIMENSIONS ARE  
 NOMINAL

PRODUCT PROTECTED BY  
 ONE OR MORE US PATENTS  
 LEGAL NOTICE

GF-A03

SHEET

PART # TABLE	
P/N	DESCRIPTION
360050	SOUTH CLAMP ASSEMBLY



1411 BROADWAY BLVD. NE  
 ALBUQUERQUE, NM 87102 USA  
 PHONE: 505.242.6411  
 WWW.UNIRAC.COM

PRODUCT LINE:	GRIDFLEX
DRAWING TYPE:	ASSEMBLY
DESCRIPTION:	SOUTH CLAMP
REVISION DATE:	3/18/2021

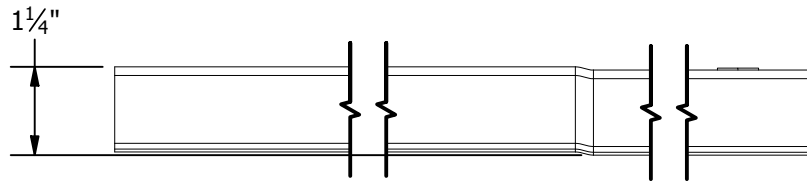
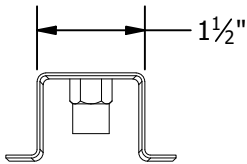
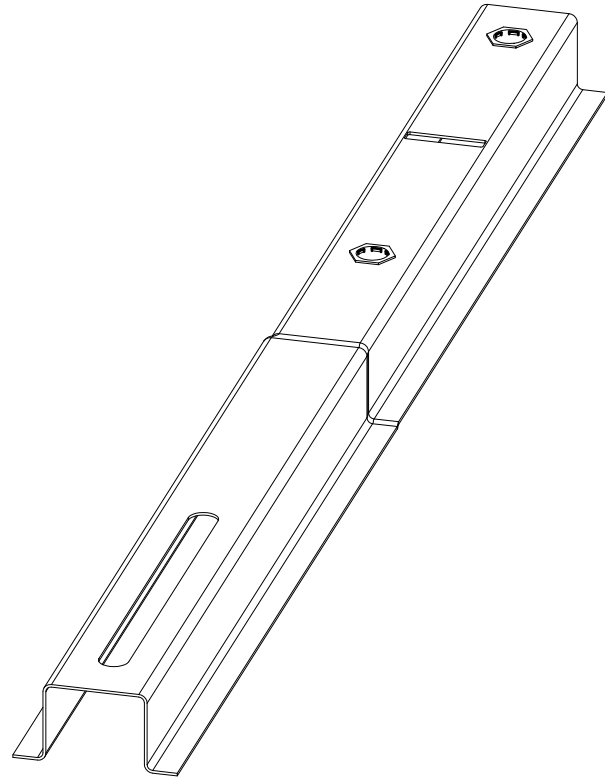
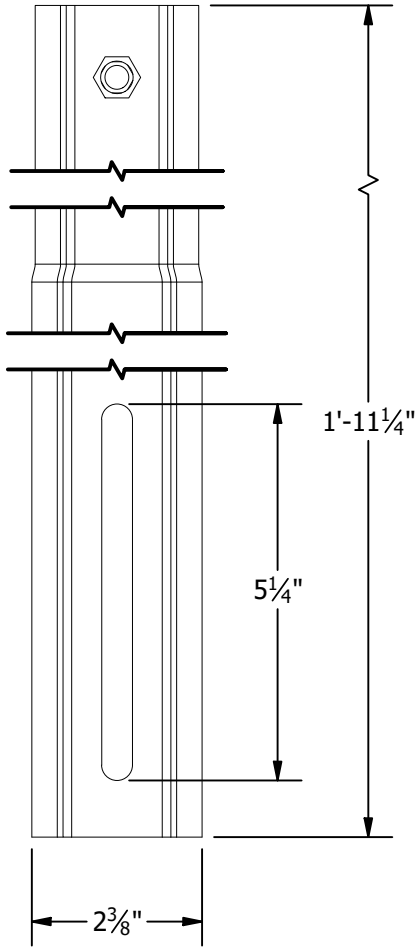
DRAWING NOT TO SCALE  
 ALL DIMENSIONS ARE  
 NOMINAL

PRODUCT PROTECTED BY  
 ONE OR MORE US PATENTS  
 LEGAL NOTICE

GF-A04

SHEET

PART # TABLE	
P/N	DESCRIPTION
360010	NORTH RAIL ASSEMBLY



1411 BROADWAY BLVD. NE  
 ALBUQUERQUE, NM 87102 USA  
 PHONE: 505.242.6411  
 WWW.UNIRAC.COM

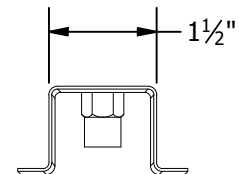
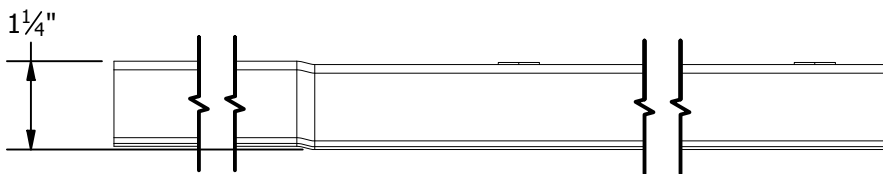
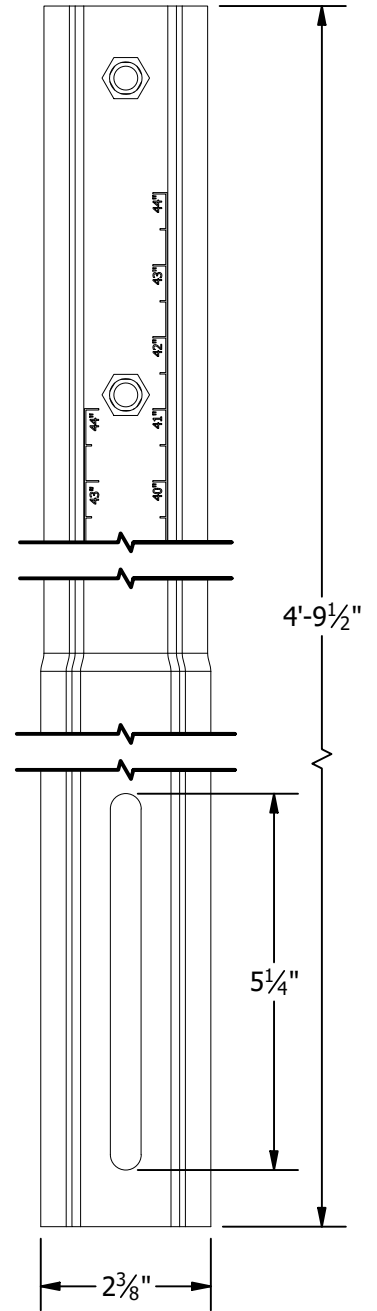
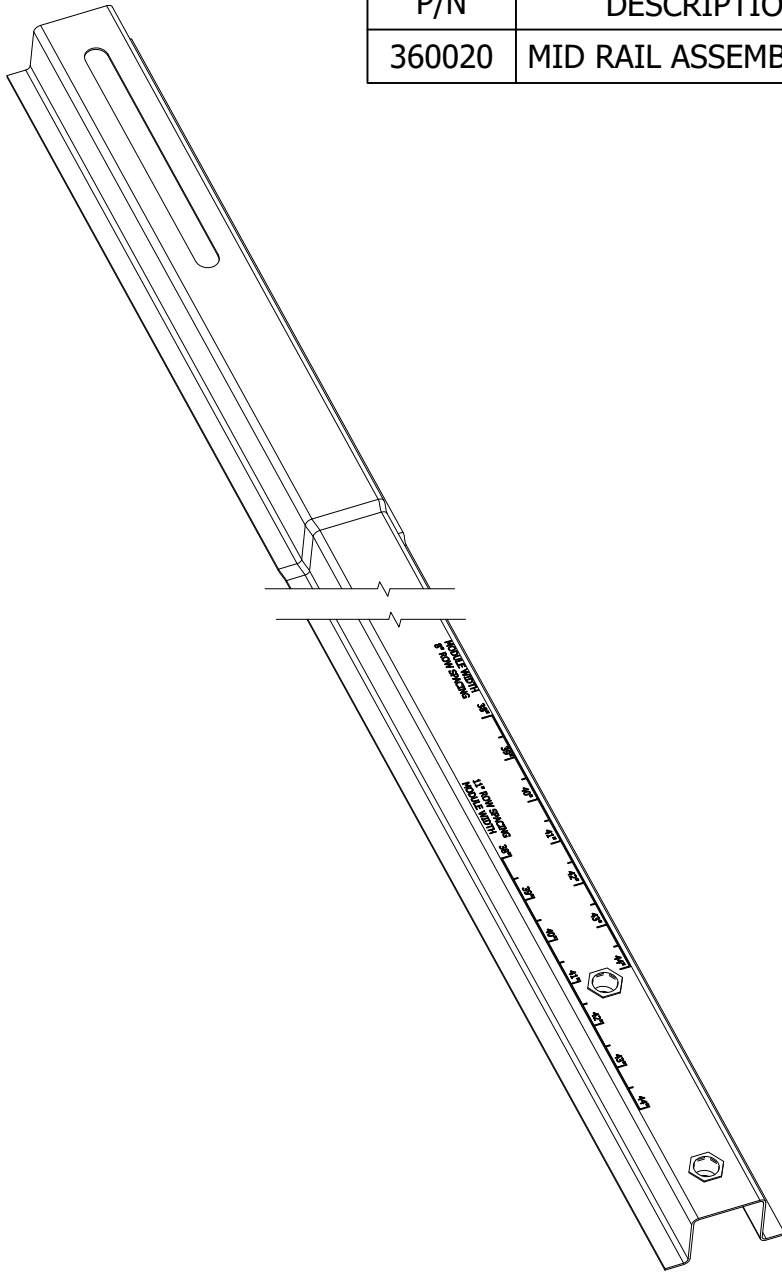
PRODUCT LINE:	GRIDFLEX
DRAWING TYPE:	ASSEMBLY
DESCRIPTION:	NORTH RAIL
REVISION DATE:	1/25/2021

DRAWING NOT TO SCALE  
 ALL DIMENSIONS ARE  
 NOMINAL

PRODUCT PROTECTED BY  
 ONE OR MORE US PATENTS  
 LEGAL NOTICE

GF-A05  
 SHEET

PART # TABLE	
P/N	DESCRIPTION
360020	MID RAIL ASSEMBLY



**UNIRAC**<sup>®</sup>  
 1411 BROADWAY BLVD. NE  
 ALBUQUERQUE, NM 87102 USA  
 PHONE: 505.242.6411  
 WWW.UNIRAC.COM

PRODUCT LINE:	GRIDFLEX
DRAWING TYPE:	ASSEMBLY
DESCRIPTION:	MID RAIL
REVISION DATE:	1/14/2021

DRAWING NOT TO SCALE  
 ALL DIMENSIONS ARE  
 NOMINAL

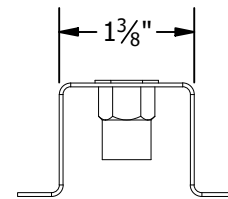
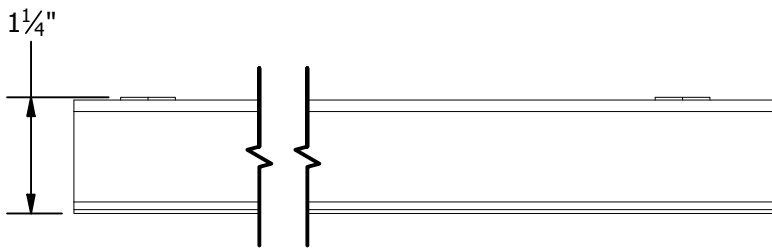
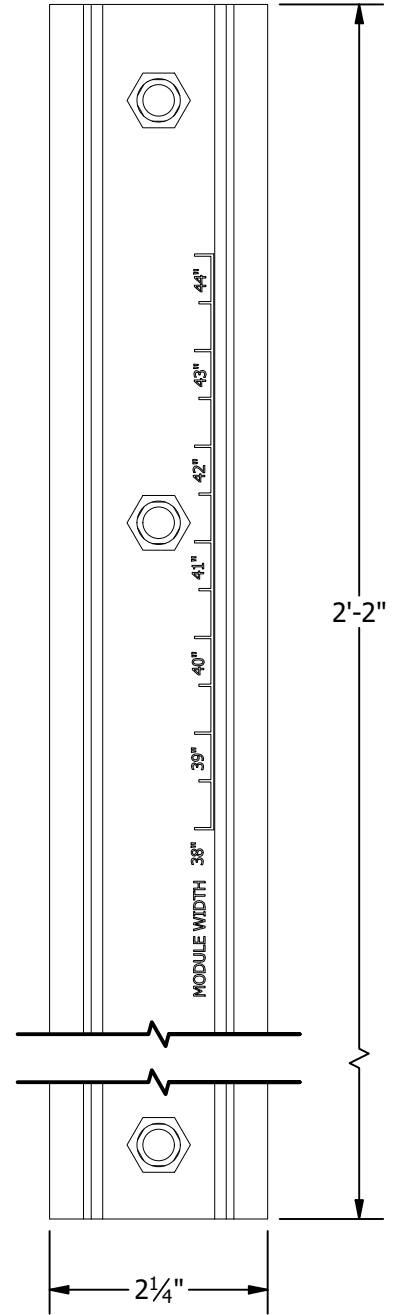
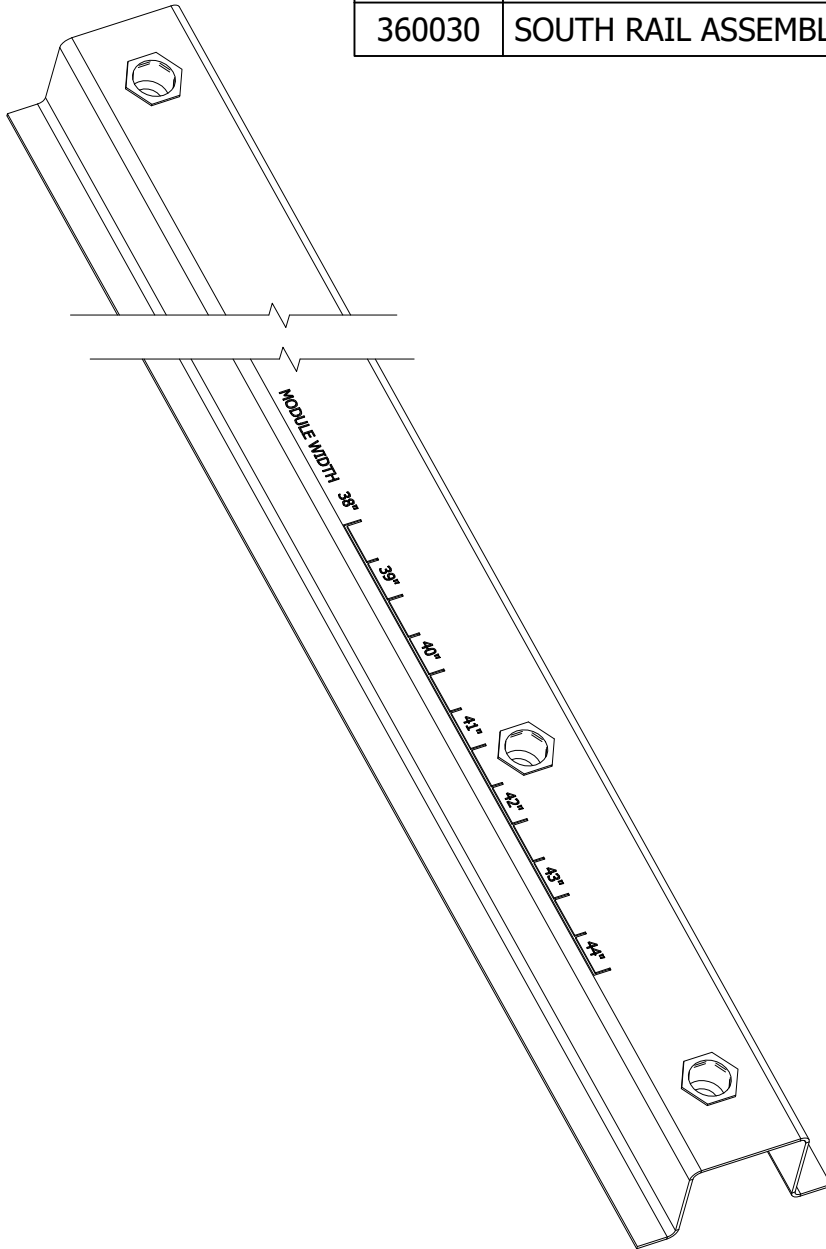
PRODUCT PROTECTED BY  
 ONE OR MORE US PATENTS

LEGAL NOTICE

GF-A06

SHEET

PART # TABLE	
P/N	DESCRIPTION
360030	SOUTH RAIL ASSEMBLY



1411 BROADWAY BLVD. NE  
 ALBUQUERQUE, NM 87102 USA  
 PHONE: 505.242.6411  
 WWW.UNIRAC.COM

PRODUCT LINE:	GRIDFLEX
DRAWING TYPE:	ASSEMBLY
DESCRIPTION:	SOUTH RAIL
REVISION DATE:	1/14/2021

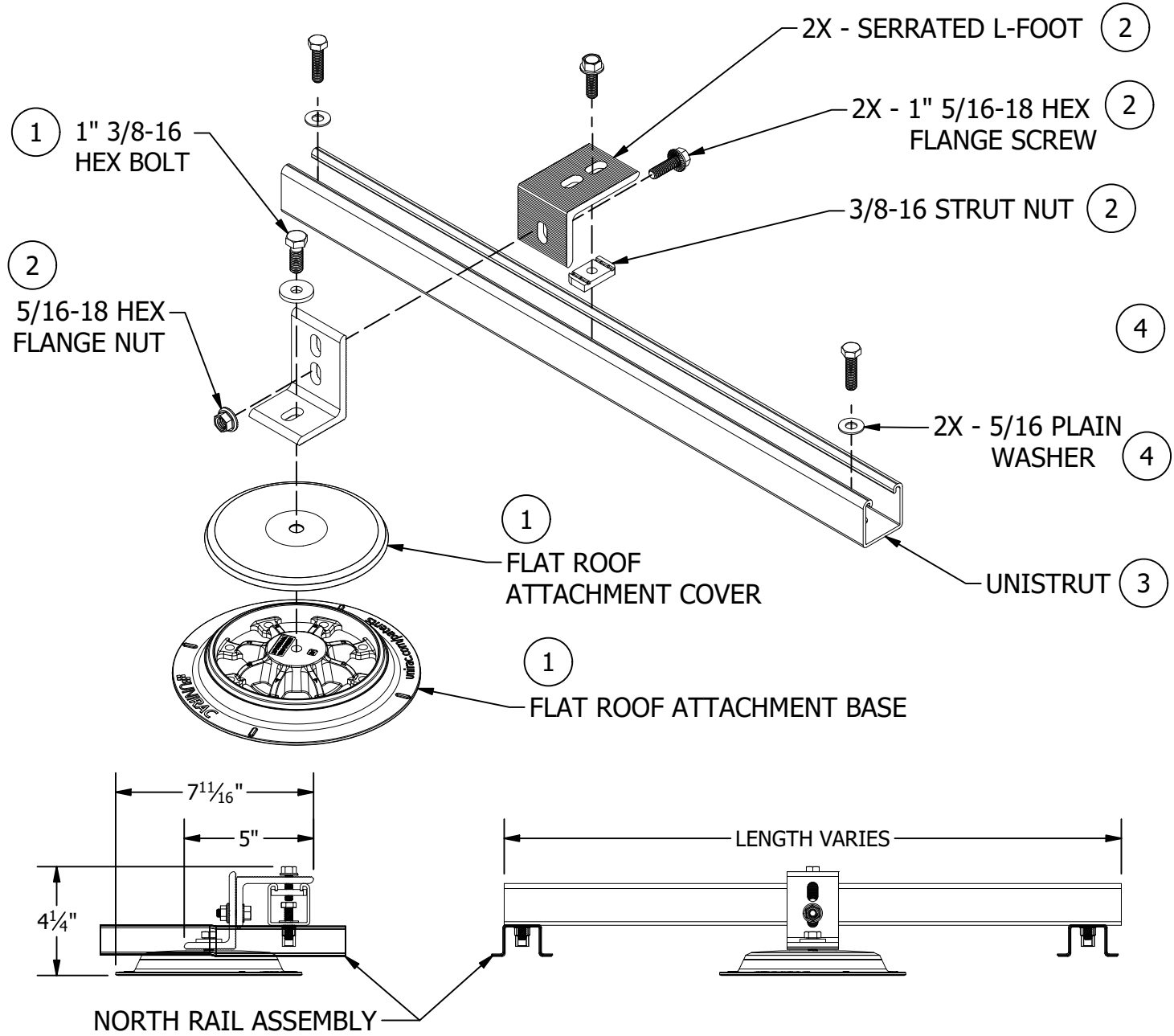
DRAWING NOT TO SCALE  
 ALL DIMENSIONS ARE  
 NOMINAL

PRODUCT PROTECTED BY  
 ONE OR MORE US PATENTS  
 LEGAL NOTICE

GF-A07

SHEET

ASSEMBLY # TABLE		
ITEM	P/N	DESCRIPTION
1	310999	FLASHLOC RM KIT
2	ES10843	ECOFOOT ROOF TO STRUT HDWR KIT
3	ES20501	B22 GALVANIZED STRUT, 10'
4	360061	GRIDFLEX HRDWR KIT



**UNIRAC**  
 1411 BROADWAY BLVD. NE  
 ALBUQUERQUE, NM 87102 USA  
 PHONE: 505.242.6411  
 WWW.UNIRAC.COM

PRODUCT LINE:	GRIDFLEX
DRAWING TYPE:	ASSEMBLY
DESCRIPTION:	ATTACHMENT KIT
REVISION DATE:	8/30/2021

DRAWING NOT TO SCALE  
 ALL DIMENSIONS ARE  
 NOMINAL

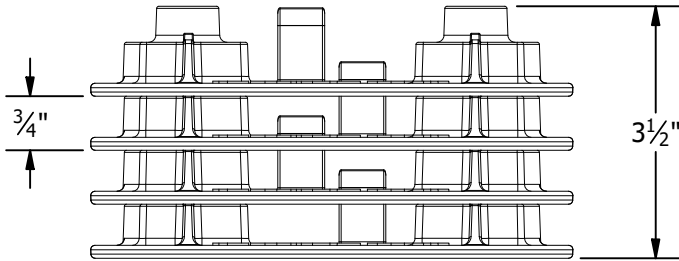
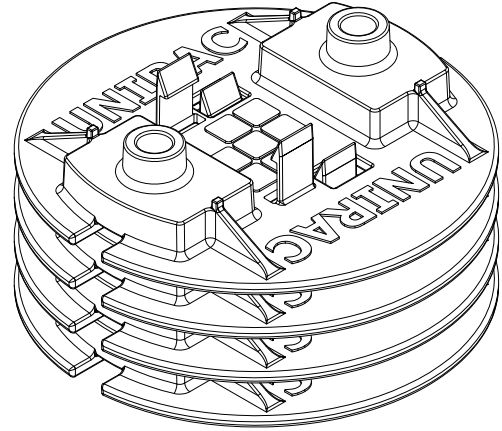
PRODUCT PROTECTED BY  
 ONE OR MORE US PATENTS

LEGAL NOTICE

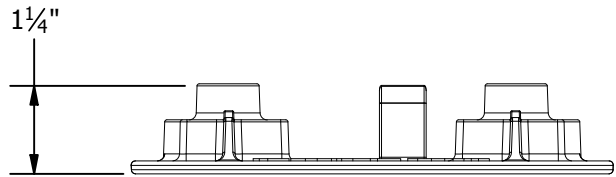
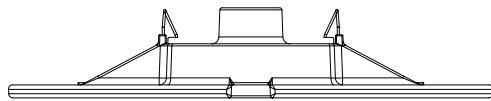
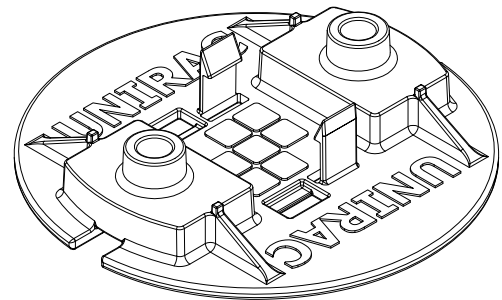
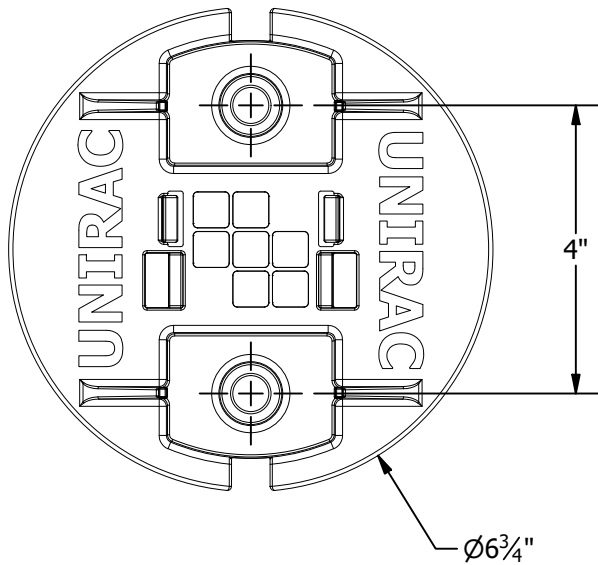
GF-A08

SHEET

PART # TABLE	
P/N	DESCRIPTION
360060	ROOFPAD



NOTE:  
 ROOFPADS MAY BE STACKED (UP TO 4) AS SHOWN  
 TO ACCOMMODATE ROOF UNDULATIONS.  
 ROOFPAD STACKING NOT ALLOWED ON SOUTH END OF THE ARRAY.



1411 BROADWAY BLVD. NE  
 ALBUQUERQUE, NM 87102 USA  
 PHONE: 505.242.6411  
 WWW.UNIRAC.COM

PRODUCT LINE:	GRIDFLEX
DRAWING TYPE:	PART
DESCRIPTION:	ROOFPAD
REVISION DATE:	9/15/2021

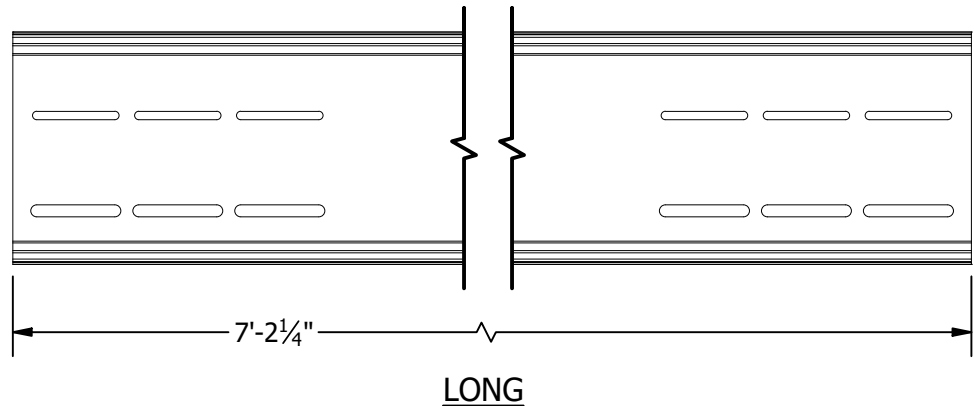
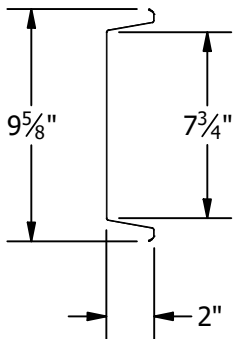
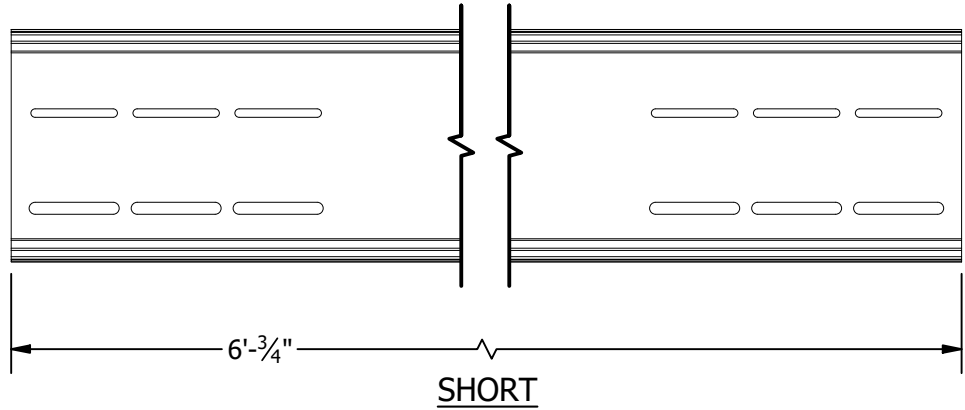
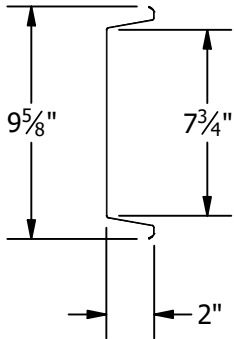
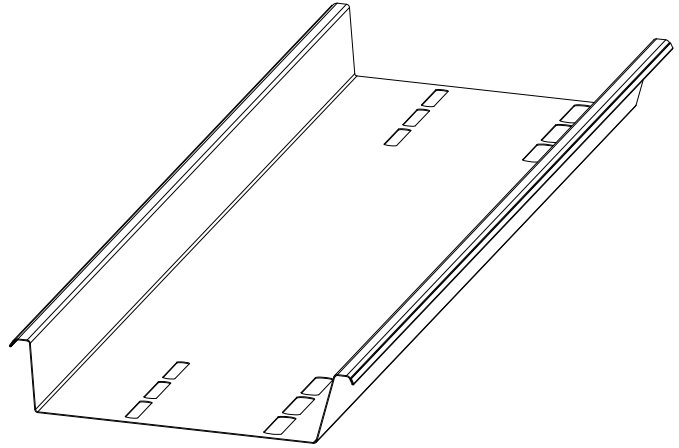
DRAWING NOT TO SCALE  
 ALL DIMENSIONS ARE  
 NOMINAL

PRODUCT PROTECTED BY  
 ONE OR MORE US PATENTS  
 LEGAL NOTICE

GF-P01

SHEET

PART # TABLE	
P/N	DESCRIPTION
360071	SHORT BALLAST TRAY 62" - 69"
360081	LONG BALLAST TRAY 77" - 83"



1411 BROADWAY BLVD. NE  
 ALBUQUERQUE, NM 87102 USA  
 PHONE: 505.242.6411  
 WWW.UNIRAC.COM

PRODUCT LINE:	GRIDFLEX
DRAWING TYPE:	PART
DESCRIPTION:	BALLAST TRAYS
REVISION DATE:	9/15/2021

DRAWING NOT TO SCALE  
 ALL DIMENSIONS ARE  
 NOMINAL

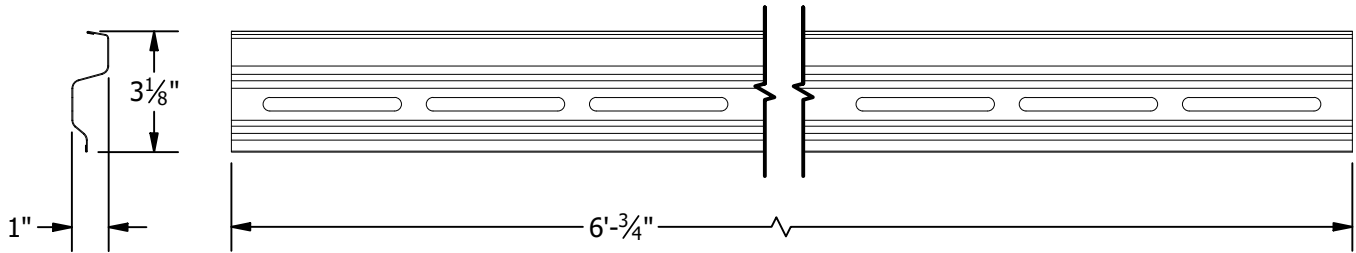
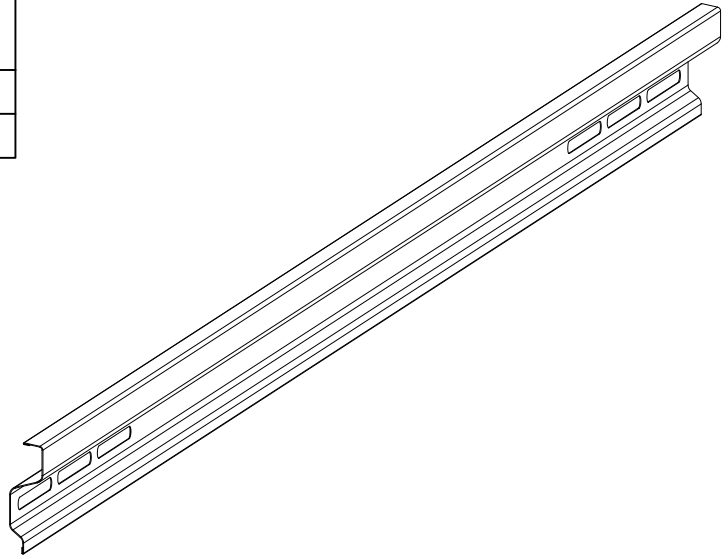
PRODUCT PROTECTED BY  
 ONE OR MORE US PATENTS

LEGAL NOTICE

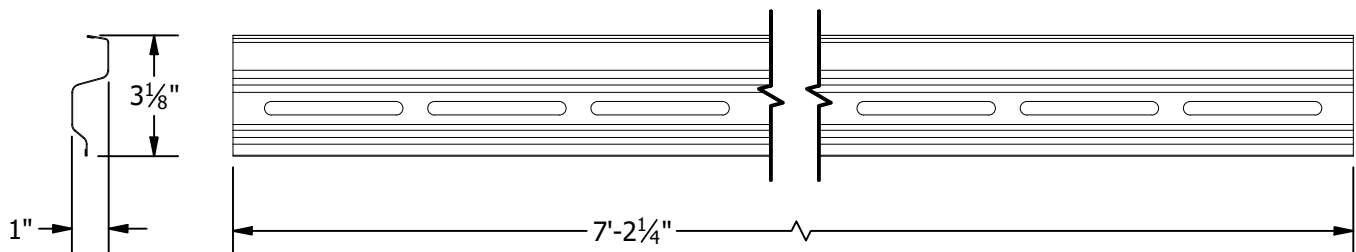
GF-P02

SHEET

PART # TABLE	
P/N	DESCRIPTION
360090	GRIDFLEX DEFLECTOR 62-69"
360100	GRIDLFEX DEFLECTOR 77-83"



SHORT



LONG



1411 BROADWAY BLVD. NE  
 ALBUQUERQUE, NM 87102 USA  
 PHONE: 505.242.6411  
 WWW.UNIRAC.COM

PRODUCT LINE:	GRIDFLEX
DRAWING TYPE:	PART
DESCRIPTION:	WIND DEFLECTORS
REVISION DATE:	1/14/2021

DRAWING NOT TO SCALE  
 ALL DIMENSIONS ARE  
 NOMINAL

PRODUCT PROTECTED BY  
 ONE OR MORE US PATENTS  
 LEGAL NOTICE

GF-P03  
 SHEET