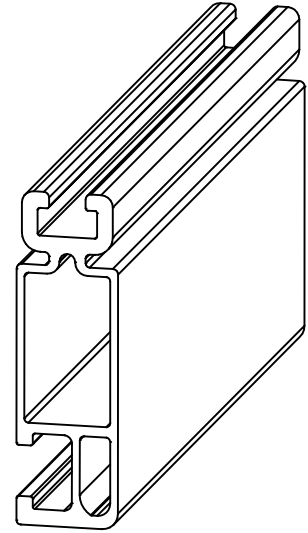


1/4" BOLT LOCATION



2 9/16"

3/8" BOLT LOCATION

3/4"



1411 BROADWAY BLVD NE  
ALBUQUERQUE, NM 87102 USA

WWW.UNIRAC.COM

**PRODUCT LINE:** SOLARMOUNT

**DRAWING TYPE:** PART DETAIL

**DESCRIPTION:** RAIL

**REVISION DATE:** APRIL 2016

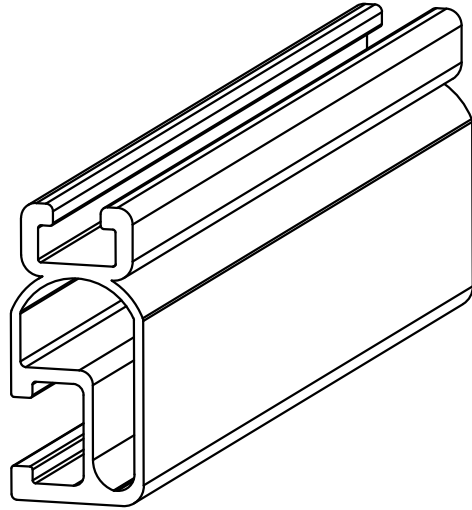
DRAWING NOT TO SCALE  
ALL DIMENSIONS ARE NOMINAL

PRODUCT PROTECTED BY ONE  
OR MORE US PATENTS.

**LEGAL NOTICE**

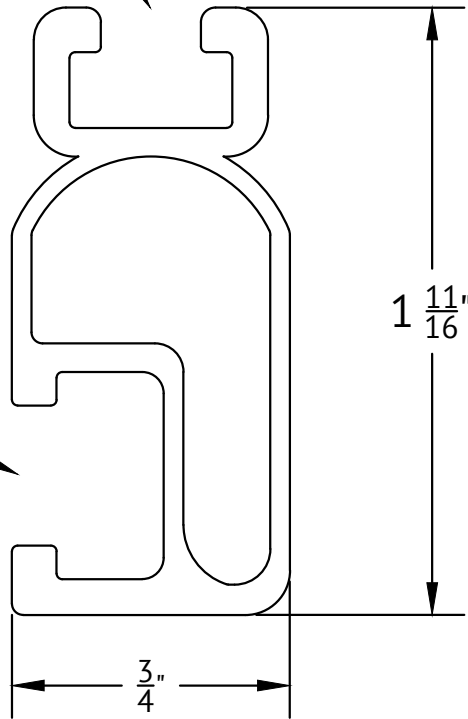
**SM-P01**

**SHEET**



1/4" BOLT LOCATION

3/8" BOLT LOCATION



1411 BROADWAY BLVD NE  
ALBUQUERQUE, NM 87102 USA

WWW.UNIRAC.COM

**PRODUCT LINE:** SOLARMOUNT

**DRAWING TYPE:** PART DETAIL

**DESCRIPTION:** LIGHT RAIL

**REVISION DATE:** APRIL 2016

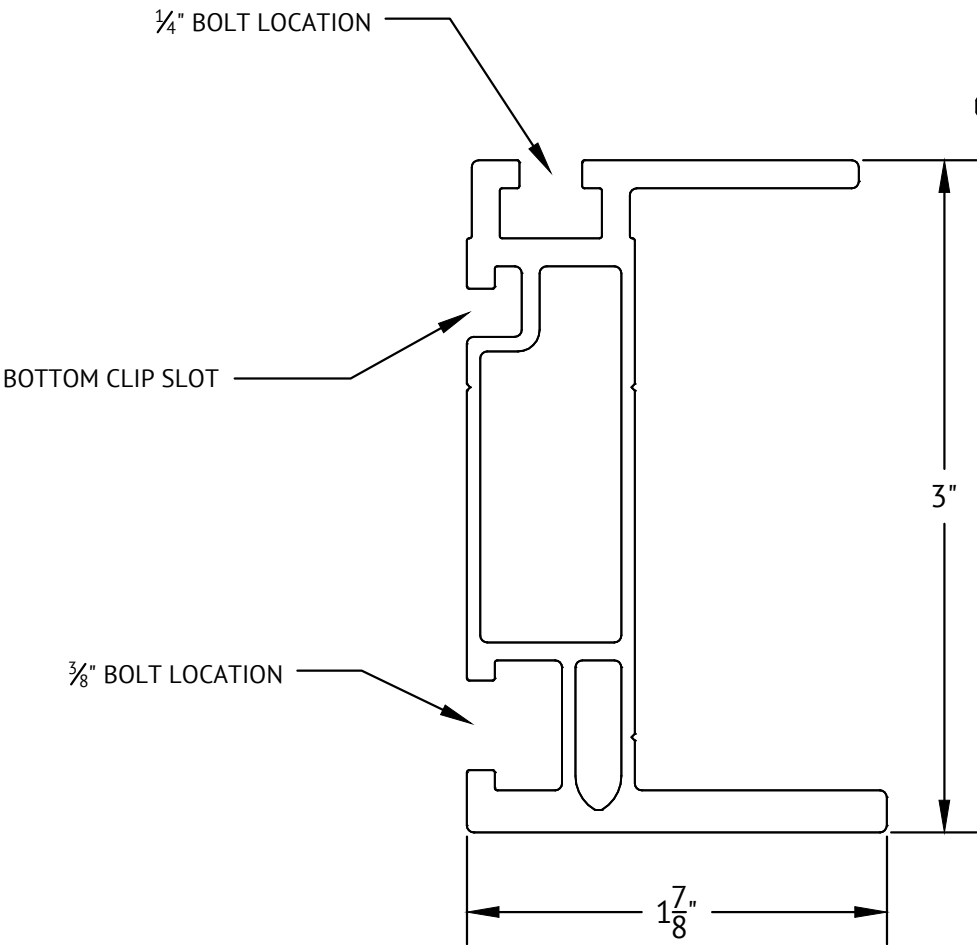
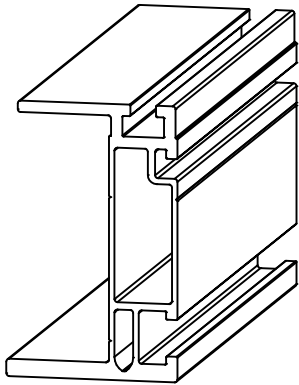
DRAWING NOT TO SCALE  
ALL DIMENSIONS ARE NOMINAL

PRODUCT PROTECTED BY ONE  
OR MORE US PATENTS

**LEGAL NOTICE**

**SM-P02**

**SHEET**



1411 BROADWAY BLVD NE  
ALBUQUERQUE, NM 87102 USA

WWW.UNIRAC.COM

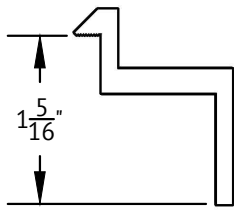
<b>PRODUCT LINE:</b>	SOLARMOUNT
<b>DRAWING TYPE:</b>	PART DETAIL
<b>DESCRIPTION:</b>	HD RAIL
<b>REVISION DATE:</b>	APRIL 2016

DRAWING NOT TO SCALE  
ALL DIMENSIONS ARE NOMINAL

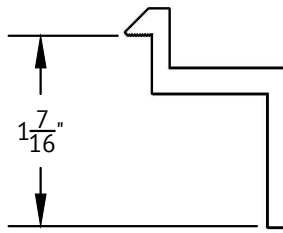
PRODUCT PROTECTED BY ONE  
OR MORE US PATENTS

**LEGAL NOTICE**

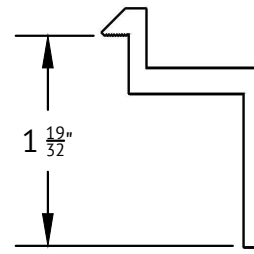
**SM-P03**  
**SHEET**



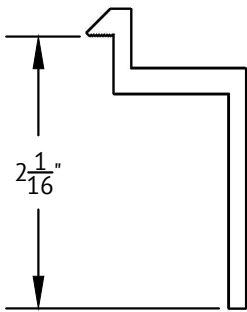
**B CLAMP**  
30mm to 32mm Module Thickness  
(1.18" to 1.26")



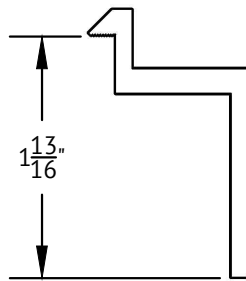
**C CLAMP**  
33mm to 36mm Module Thickness  
(1.30" to 1.42")



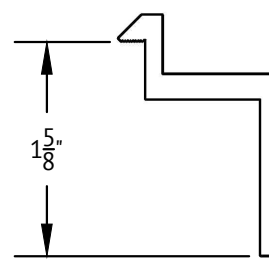
**D CLAMP**  
38mm to 40mm Module Thickness  
(1.50" to 1.57")



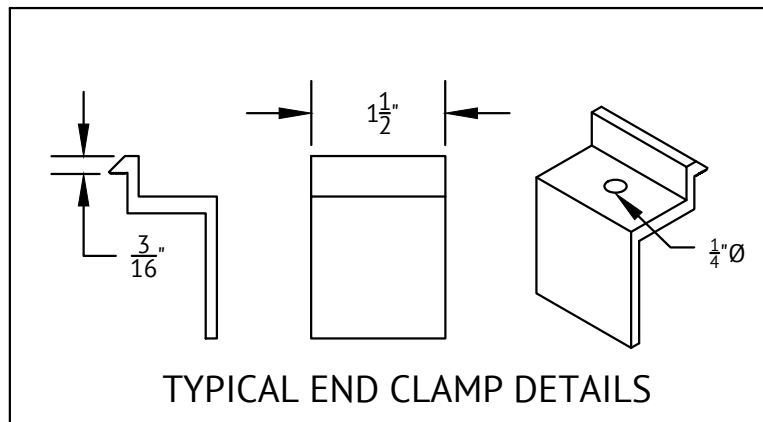
**E CLAMP**  
50mm to 52mm Module Thickness  
(1.97" to 2.05")



**F CLAMP**  
45mm to 47mm Module Thickness  
(1.77" to 1.85")



**K CLAMP**  
39mm to 41mm Module Thickness  
(1.54" to 1.61")



TYPICAL END CLAMP DETAILS



1411 BROADWAY BLVD NE  
ALBUQUERQUE, NM 87102 USA

WWW.UNIRAC.COM

**PRODUCT LINE:** SOLARMOUNT

**DRAWING TYPE:** PART

**DESCRIPTION:** END CLAMPS

**REVISION DATE:** APRIL 2016

DRAWING NOT TO SCALE  
ALL DIMENSIONS ARE NOMINAL

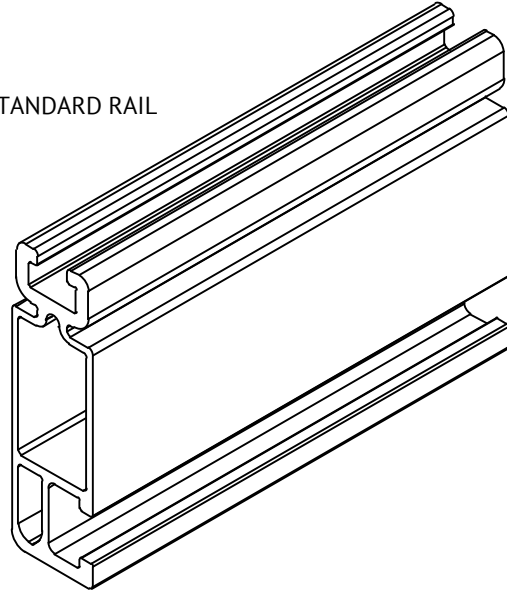
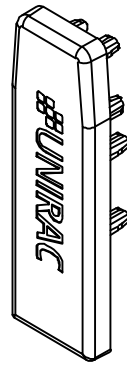
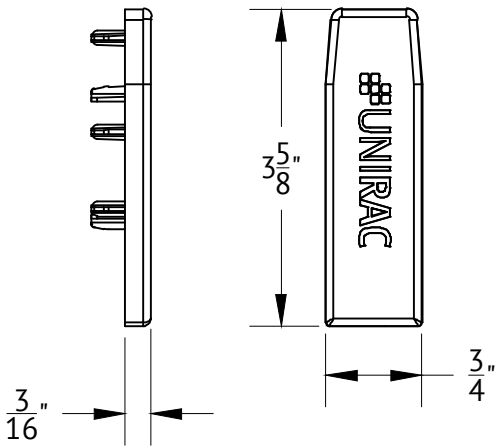
PRODUCT PROTECTED BY ONE  
OR MORE US PATENTS

LEGAL NOTICE

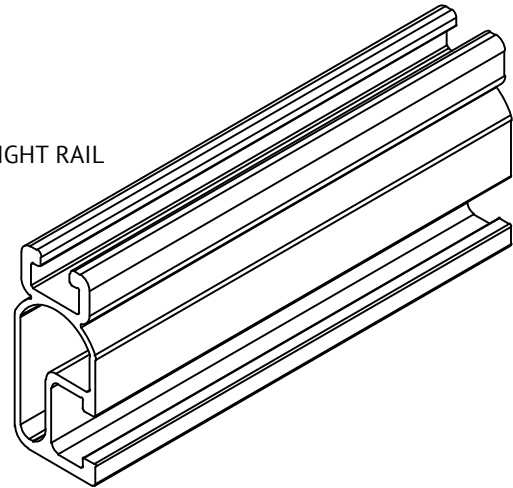
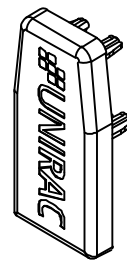
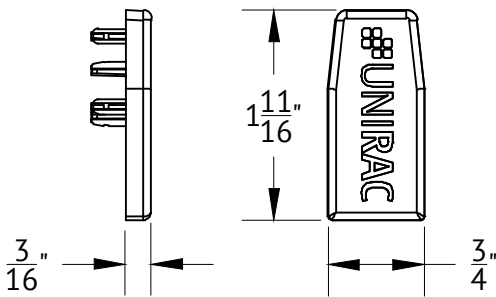
SM-P04

SHEET

SOLARMOUNT STANDARD RAIL



SOLARMOUNT LIGHT RAIL



1411 BROADWAY BLVD NE  
ALBUQUERQUE, NM 87102 USA

WWW.UNIRAC.COM

**PRODUCT LINE:** SOLARMOUNT

**DRAWING TYPE:** PARTS DETAIL

**DESCRIPTION:** END CAPS

**REVISION DATE:** MAY 2016

DRAWING NOT TO SCALE  
ALL DIMENSIONS ARE NOMINAL

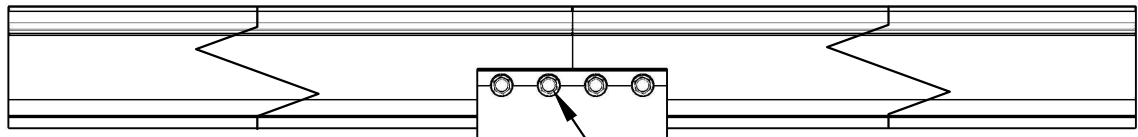
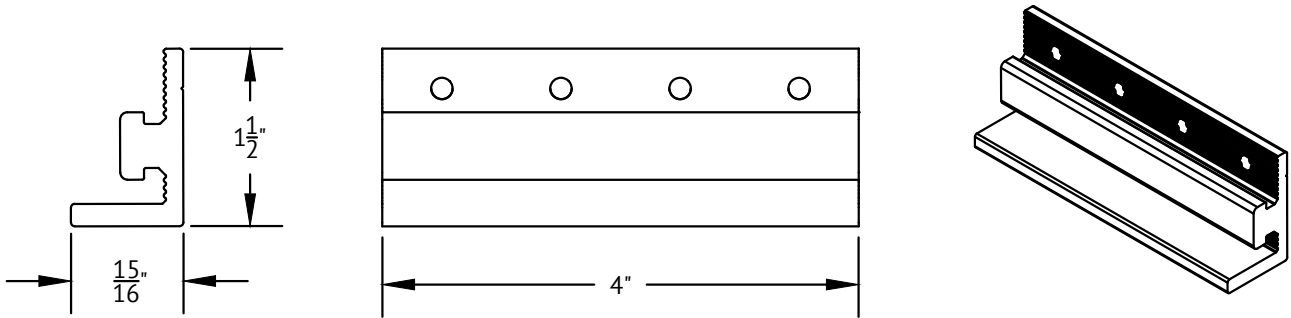
PRODUCT PROTECTED BY ONE  
OR MORE US PATENTS

LEGAL NOTICE

SM-P05

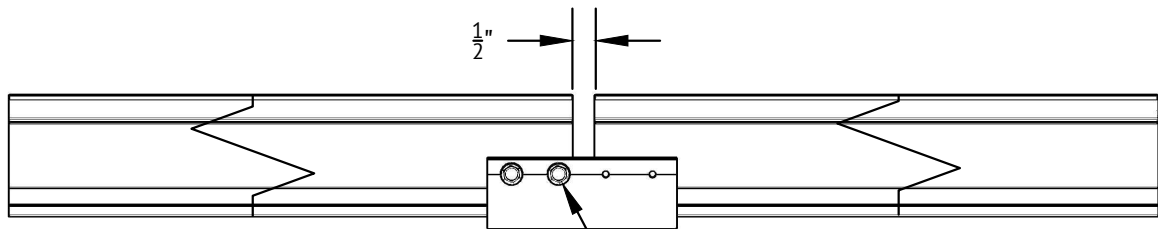
SHEET

# BONDING SPLICE BAR



#12 X  $\frac{3}{4}$  SELF DRILLING SS SCREWS INCLUDED

TYPICAL SPLICE BAR DETAIL



TYPICAL EXPANSION JOINT DETAIL

NOTE THAT ONLY 2 SCREWS ARE USED AT AN EXPANSION JOINT. THE SPLICE BAR DOES NOT BOND ACROSS AN EXPANSION JOINT.



1411 BROADWAY BLVD NE  
ALBUQUERQUE, NM 87102 USA

WWW.UNIRAC.COM

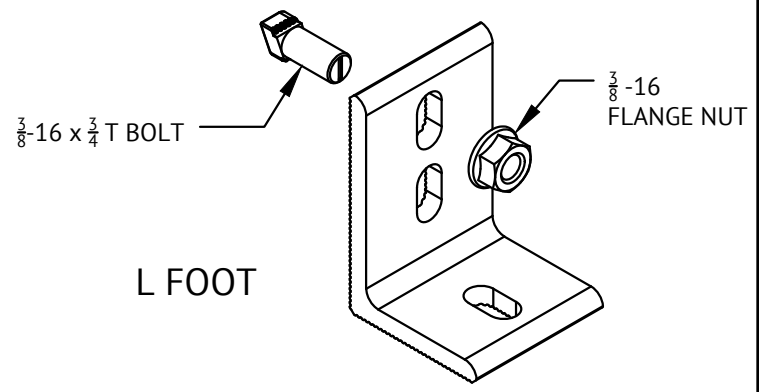
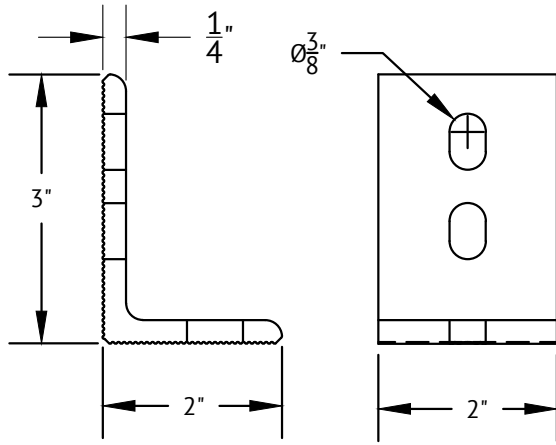
PRODUCT LINE:	SOLARMOUNT
DRAWING TYPE:	PART & ASSEMBLY
DESCRIPTION:	BONDING SPLICE BAR
REVISION DATE:	APRIL 2016

DRAWING NOT TO SCALE  
ALL DIMENSIONS ARE NOMINAL

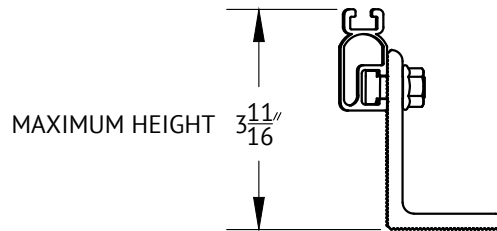
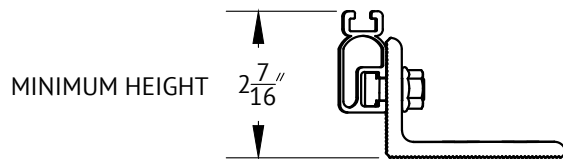
PRODUCT PROTECTED BY ONE OR MORE  
US PATENTS

LEGAL NOTICE

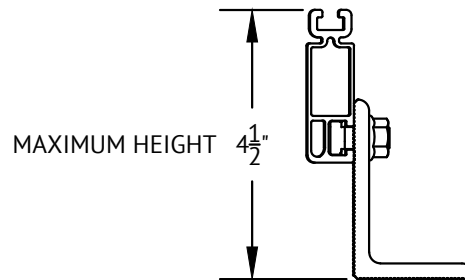
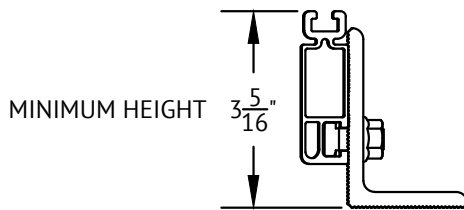
**SM-A01**  
SHEET



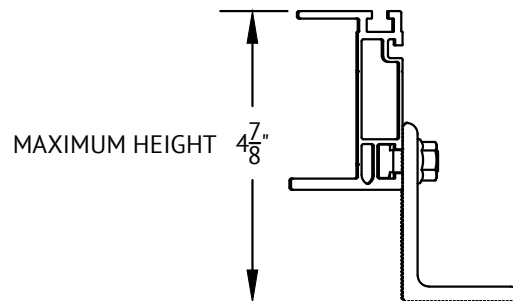
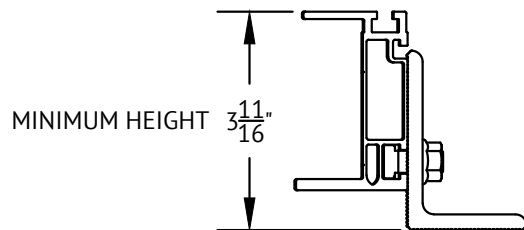
SOLARMOUNT LIGHT ON L-FOOT



SOLARMOUNT STANDARD ON L-FOOT



SOLARMOUNT HD ON L-FOOT



NOTE: L-FOOT CAN BE INSTALLED IN TWO ORIENTATIONS. PLEASE REFER TO INSTRUCTIONS IN THE QUICK START GUIDE.



1411 BROADWAY BLVD NE  
ALBUQUERQUE, NM 87102 USA

WWW.UNIRAC.COM

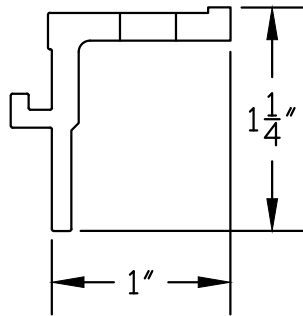
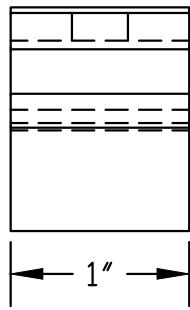
PRODUCT LINE:	SOLARMOUNT
DRAWING TYPE:	PART & ASSEMBLY
DESCRIPTION:	L-FOOT
REVISION DATE:	APRIL 2016

DRAWING NOT TO SCALE  
ALL DIMENSIONS ARE NOMINAL

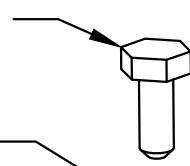
PRODUCT PROTECTED BY ONE OR MORE  
US PATENTS

LEGAL NOTICE

**SM-A02**  
SHEET



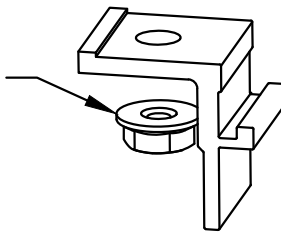
$\frac{1}{4}$ -20 x  $\frac{3}{4}$  SS HEX HEAD BOLT



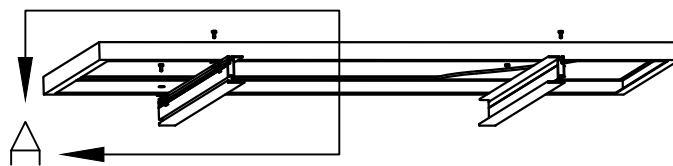
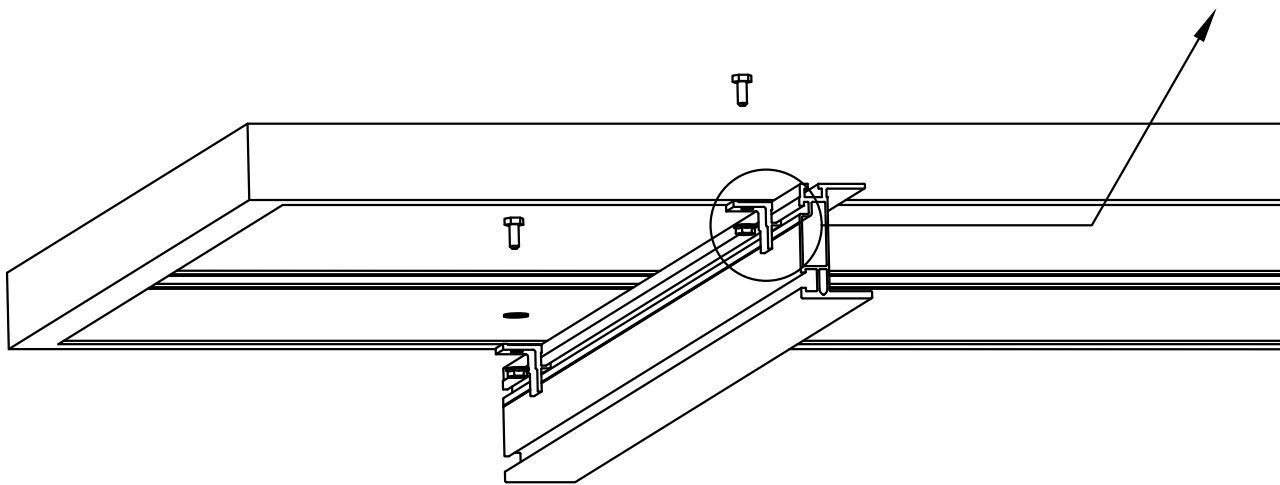
$\frac{1}{4}$ " FLAT WASHER



$\frac{1}{4}$ -20 SS FLANGE NUT



BOTTOM CLIP



**UNIRAC**

1411 BROADWAY BLVD NE  
ALBUQUERQUE, NM 87102 USA

WWW.UNIRAC.COM

PRODUCT LINE: SOLARMOUNT HD

DRAWING TYPE: PART & ASSEMBLY

DESCRIPTION: BOTTOM CLIP

REVISION DATE: APRIL 2016

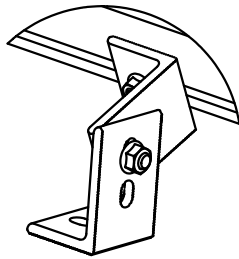
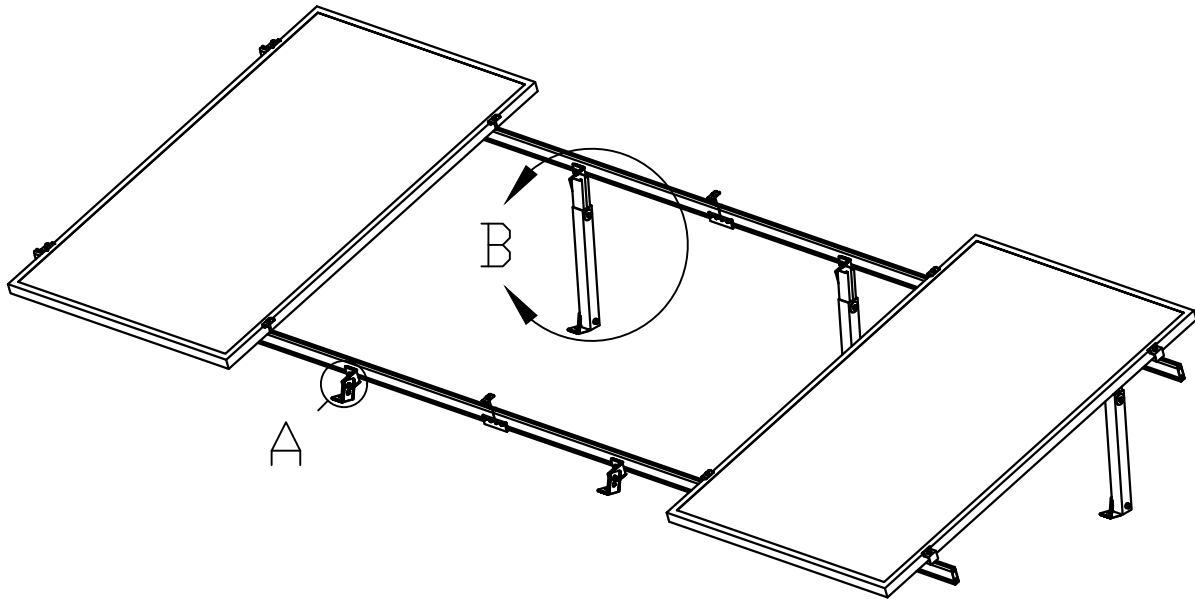
DRAWING NOT TO SCALE  
ALL DIMENSIONS ARE NOMINAL

PRODUCT PROTECTED BY ONE OR MORE  
US PATENTS

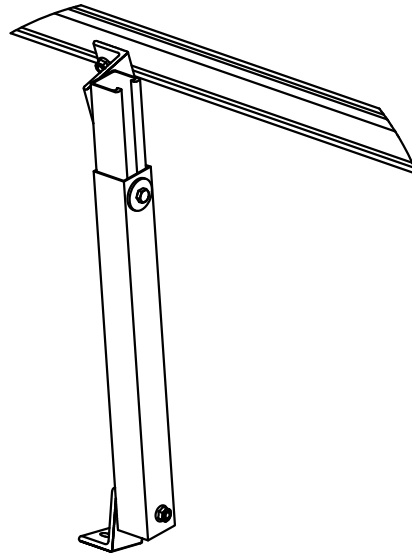
LEGAL NOTICE

**SM-A03**

SHEET



DETAIL A - FRONT L FOOT HINGE



DETAIL B - REAR TILT LEG



1411 BROADWAY BLVD NE  
ALBUQUERQUE, NM 87102 USA

WWW.UNIRAC.COM

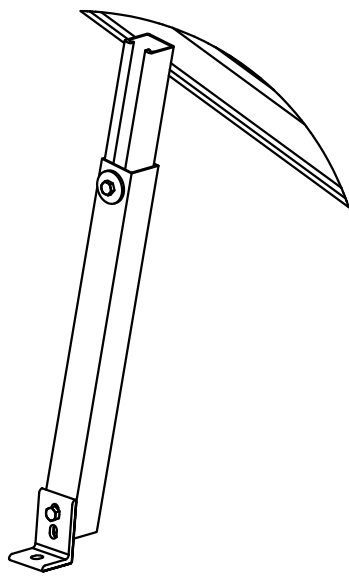
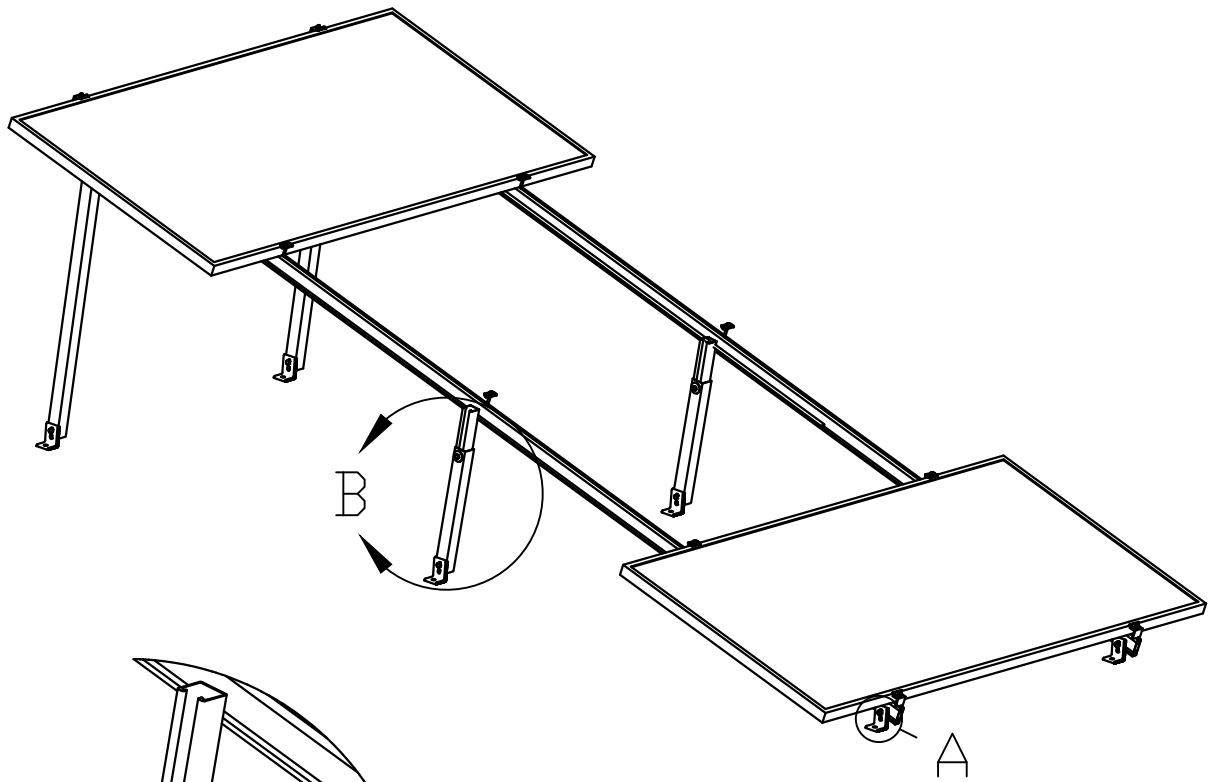
<b>PRODUCT LINE:</b>	SOLARMOUNT
<b>DRAWING TYPE:</b>	ASSEMBLY
<b>DESCRIPTION:</b>	LOW PROFILE TILT
<b>REVISION DATE:</b>	APRIL 2016

DRAWING NOT TO SCALE  
ALL DIMENSIONS ARE NOMINAL

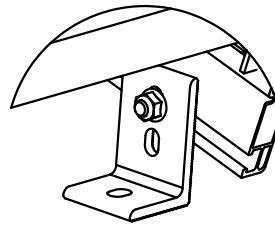
PRODUCT PROTECTED BY ONE  
OR MORE US PATENTS

**LEGAL NOTICE**

**SM-A04**  
**SHEET**



DETAIL B - REAR TILT LEG



DETAIL A - L FOOT



1411 BROADWAY BLVD NE  
ALBUQUERQUE, NM 87102 USA

WWW.UNIRAC.COM

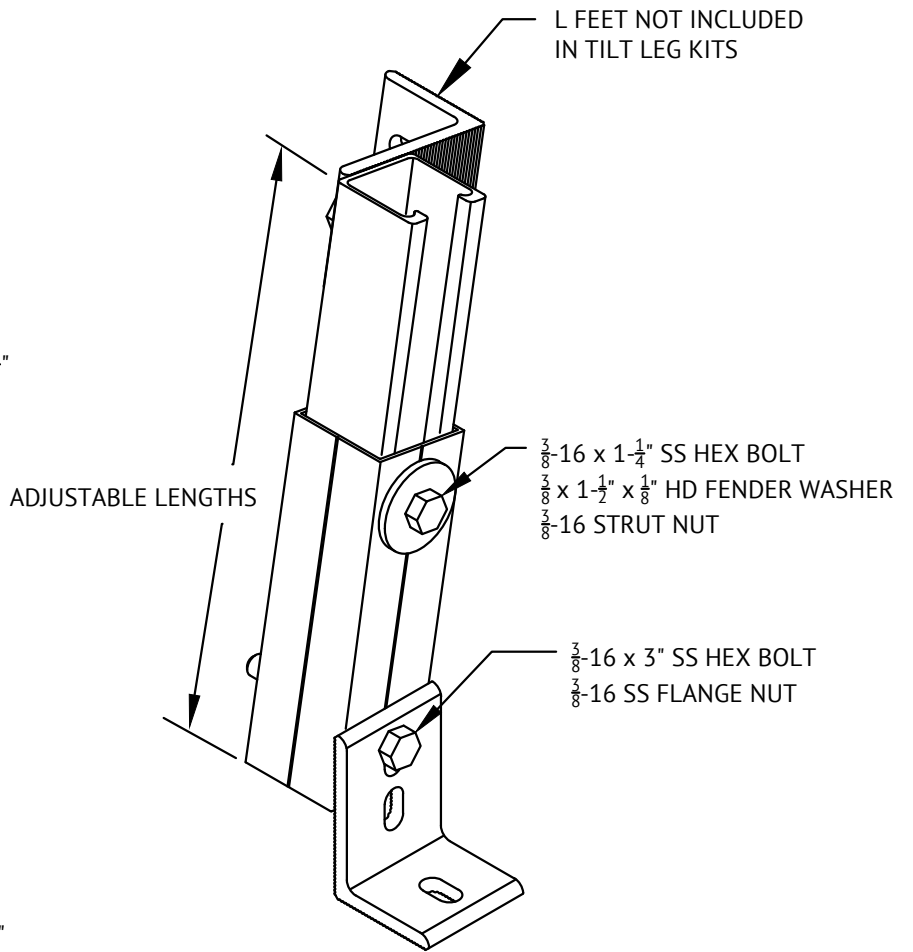
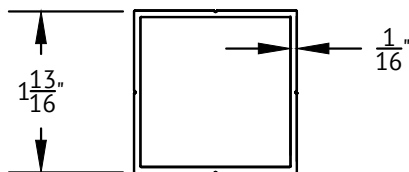
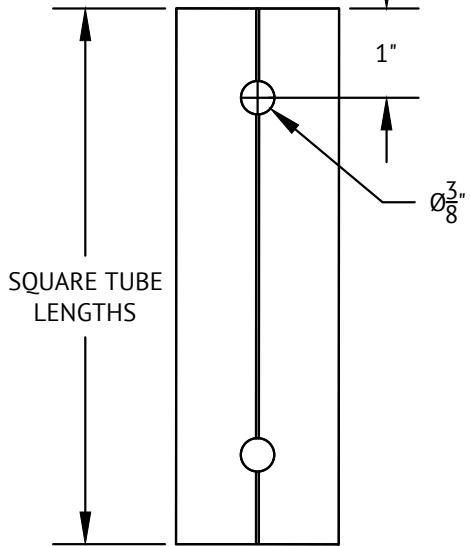
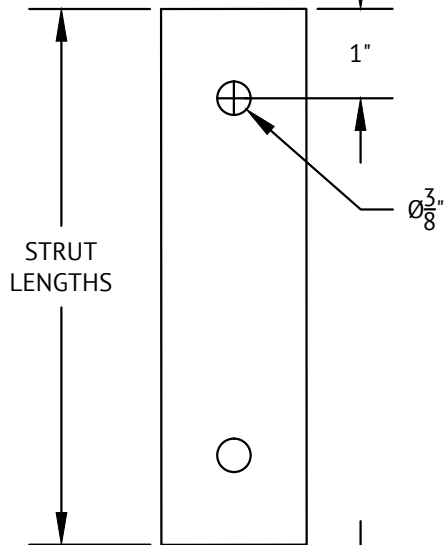
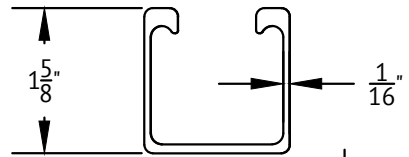
<b>PRODUCT LINE:</b>	SOLARMOUNT
<b>DRAWING TYPE:</b>	ASSEMBLY
<b>DESCRIPTION:</b>	HIGH PROFILE TILT
<b>REVISION DATE:</b>	APRIL 2016

DRAWING NOT TO SCALE  
ALL DIMENSIONS ARE NOMINAL

PRODUCT PROTECTED BY ONE  
OR MORE US PATENTS

**LEGAL NOTICE**

**SM-A05**  
**SHEET**



TILT LEG LENGTHS		
TOTAL ADJUSTABLE LENGTHS	SQUARE TUBE	STRUT
8" to 12"	8"	8"
18" to 30"	18"	18"
26" to 44"	26"	26"
40" to 72"	40"	40"



1411 BROADWAY BLVD NE  
ALBUQUERQUE, NM 87102 USA

WWW.UNIRAC.COM

**PRODUCT LINE:** SOLARMOUNT TILT

**DRAWING TYPE:** ASSEMBLY

**DESCRIPTION:** ADJUSTABLE TILT LEG

**REVISION DATE:** APRIL 2016

DRAWING NOT TO SCALE  
ALL DIMENSIONS ARE NOMINAL

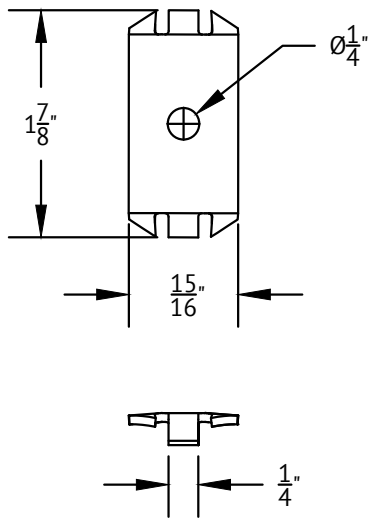
PRODUCT PROTECTED BY ONE  
OR MORE US PATENTS

**LEGAL NOTICE**

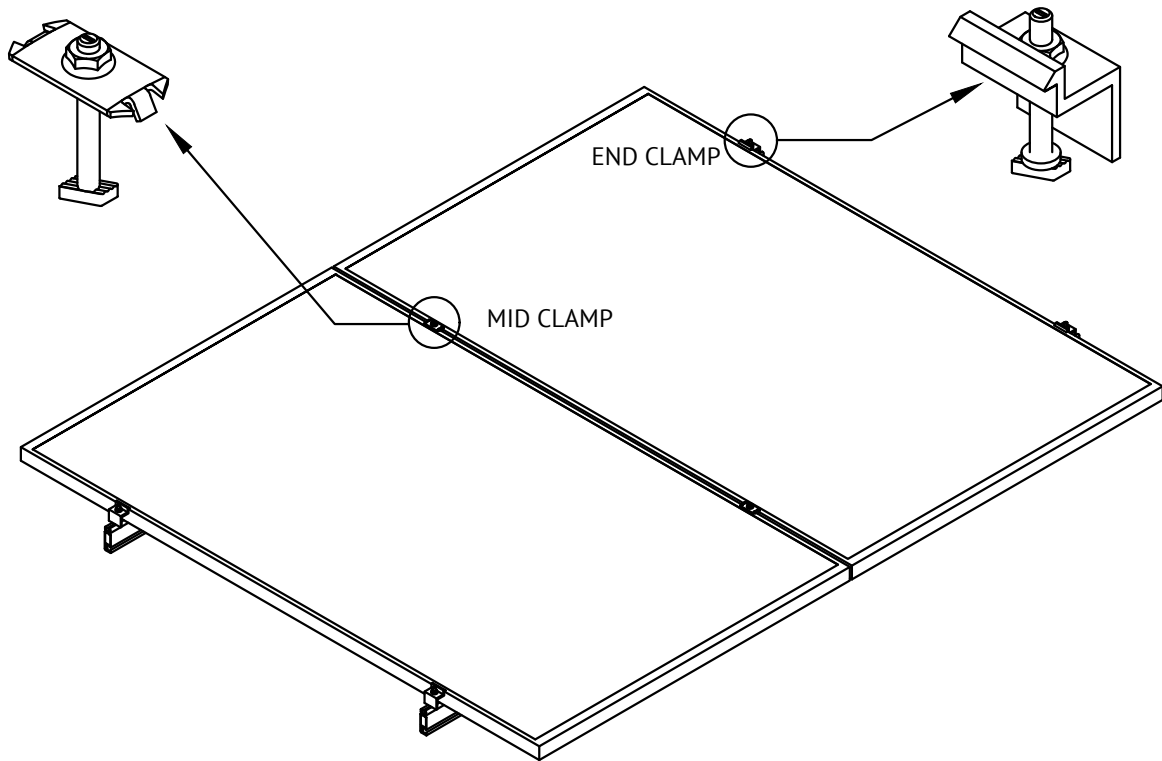
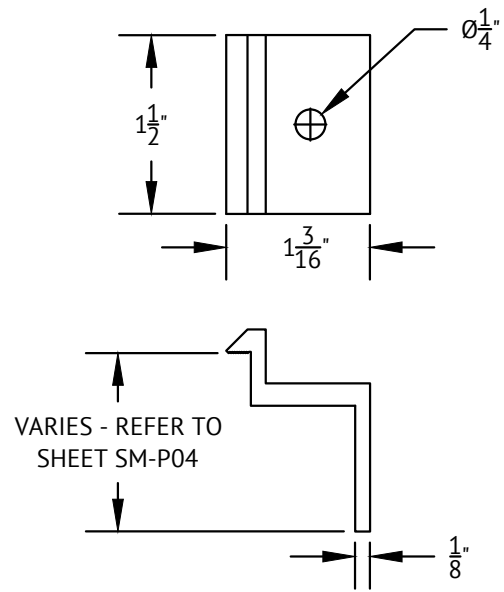
**SM-A06**

**SHEET**

### BONDING SM MID CLAMP



### BONDING SM END CLAMP



1411 BROADWAY BLVD NE  
ALBUQUERQUE, NM 87102 USA

WWW.UNIRAC.COM

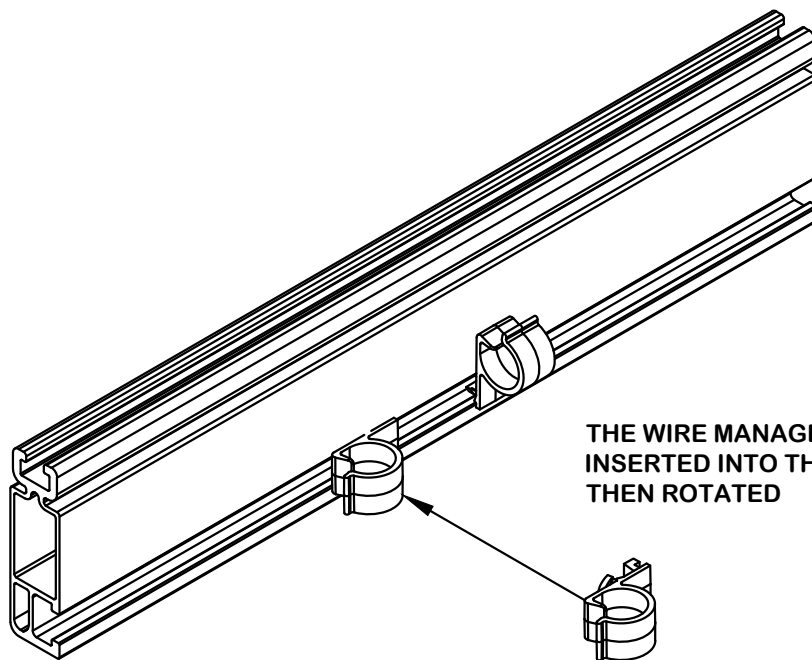
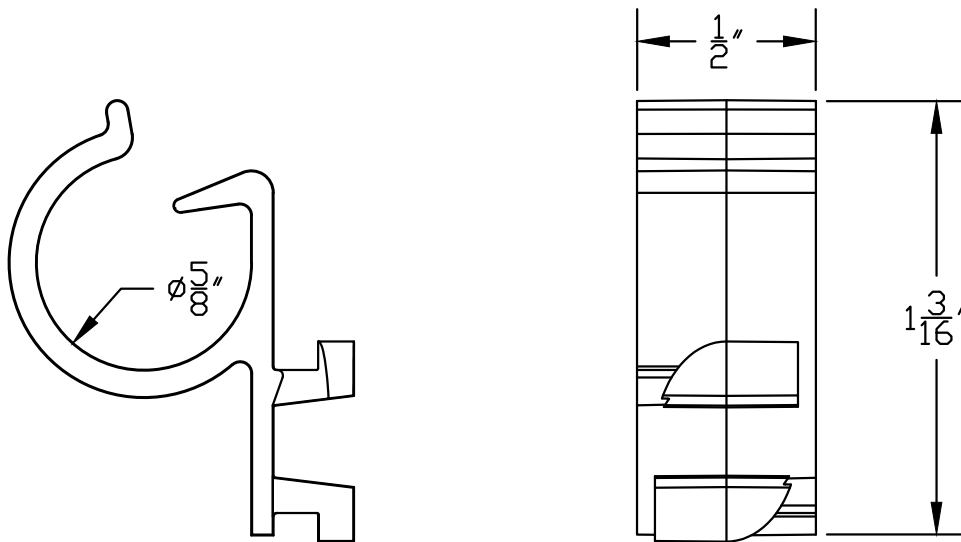
<b>PRODUCT LINE:</b>	SOLARMOUNT
<b>DRAWING TYPE:</b>	PART & ASSEMBLY
<b>DESCRIPTION:</b>	BONDING TOP CLAMPS
<b>REVISION DATE:</b>	APRIL 2016

DRAWING NOT TO SCALE  
ALL DIMENSIONS ARE NOMINAL

PRODUCT PROTECTED BY ONE  
OR MORE US PATENTS

**LEGAL NOTICE**

**SM-A07**  
**SHEET**



THE WIRE MANAGEMENT CLIP IS  
INSERTED INTO THE SIDE SLOT  
THEN ROTATED

**UNIRAC**

1411 BROADWAY BLVD NE  
ALBUQUERQUE, NM 87102 USA

WWW.UNIRAC.COM

**PRODUCT LINE:** SOLARMOUNT

**DRAWING TYPE:** ASSEMBLY

**DESCRIPTION:** SM WIRE MGMT CLIP

**REVISION DATE:** APRIL 2016

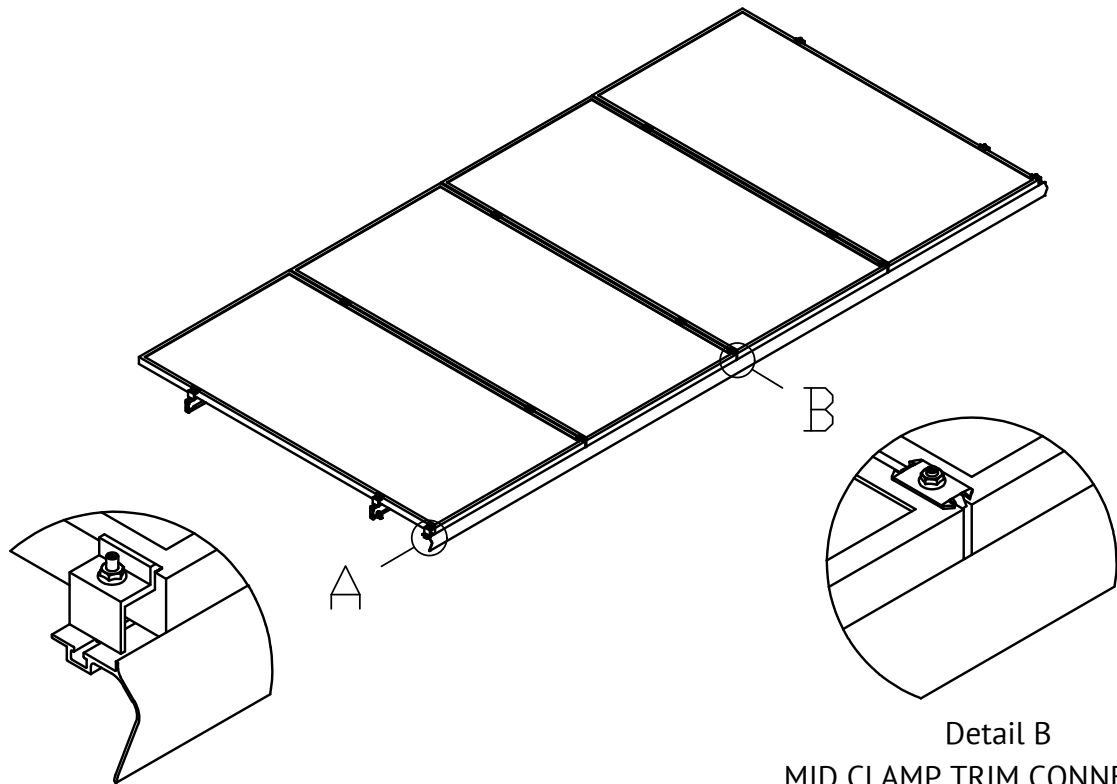
DRAWING NOT TO SCALE  
ALL DIMENSIONS ARE NOMINAL

PRODUCT PROTECTED BY ONE  
OR MORE US PATENTS

**LEGAL NOTICE**

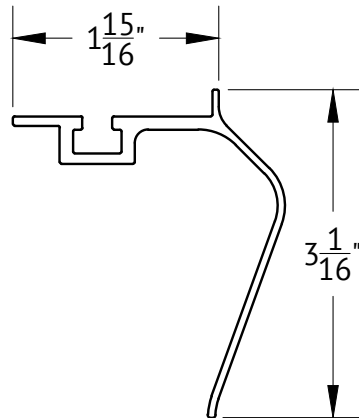
**SM-A08**

**SHEET**



Detail A  
END CLAMP TRIM CONNECTION

Detail B  
MID CLAMP TRIM CONNECTION



1411 BROADWAY BLVD NE  
ALBUQUERQUE, NM 87102 USA

WWW.UNIRAC.COM

<b>PRODUCT LINE:</b>	SOLARMOUNT
<b>DRAWING TYPE:</b>	ASSEMBLY
<b>DESCRIPTION:</b>	SM TRIM
<b>REVISION DATE:</b>	May 2016

DRAWING NOT TO SCALE  
ALL DIMENSIONS ARE NOMINAL

PRODUCT PROTECTED BY ONE  
OR MORE US PATENTS

**LEGAL NOTICE**

**SM-A09**  
**SHEET**