

# MIDNITE SOLAR INC.

## BATTERY ENCLOSURES

*MidNite Solar has the enclosures you need for your sealed AGM or Gel battery bank.*

MidNite Solar offers indoor gray steel powder coated battery enclosures in a number of sizes. All include locking doors. The MNBE-D3R and 8D2x2 outdoor enclosures are aluminum for long life.



**MNBE-A**  
29W x 14.5D x 28H  
2 8D  
Stack 2 cabinets vertical for 4 quantity 8 D's  
4 Group 31 end to end  
6 Group 32 side by side  
Type 1  
ETL Listed

**MNBE-C (3 shelf)**  
34W x 15.25D x 55H  
12 Golf Cart  
12 Group 31  
12 GVX3050 Concorde  
2 shelf for 8 L16's  
4 shelf for four 8D's  
Type 1  
ETL Listed



### MNBE-8D2x2

Battery Enclosure with locking door and one shelf. This outdoor enclosure has powder coated aluminum and stainless steel construction. Holds four 8D batteries. It has spaces for up to 4 MNDC panel mount breakers (1 to 100A) and a 250A battery disconnect breaker. Deluxe version comes with 250A breaker and four 4/0 interconnect cables. The MNBE-8D2x2 series of enclosures are type 1 built to 3R (outdoor) specifications.



MNBE-8D2x2 Standard and Deluxe Models:  
28 1/8W x 26 1/8D x 36H  
Wt. - Standard 90 LB.  
Wt. - Deluxe 91 LB.  
Type 1

### MNBE-C8D (4 shelf)

Battery Enclosure with locking door and four shelves. Holds four 8D batteries. Gray powder coated steel. Same dimensions as the MNBE-C. Type 1

### MNBE-CL16 (2 shelf)

Battery Enclosure with locking door and two shelves. Holds eight sealed L-16 batteries. Gray powder coated steel. Same dimensions as the MNBE-C. Type 1

**NOTE: The MNBE-C8D and MNBE-CL16 have the same dimensions with different shelf configurations.**

### MNBE-8D2x2 Deluxe

Same as the regular but also includes 250A battery breaker and 4/0 interconnecting cables. Type 1



**MNBE-D**  
8 GVX3050 (2 shelf)  
8 Golf Cart (2 shelf)  
8 Group 31 (2 shelf)  
12 Golf Cart (3 shelf)  
12 Group 31 (3 shelf)

Size: 34W x 15.25D x 41.14H  
Shown with 8 GVX3050. Will fit 8 sealed L16 batteries with 3" head room. Two shelves standard. Ships knocked down in two boxes. Type 1

### MNSHELF

Extra shelf for MNBE-C and MNBE-D  
Shelf size: 32L x 12.75W x 1D



### BATTERY ENCLOSURE KEY

Battery Enclosure Key works with all MidNite Solar battery enclosures.

### MNBE-D3R

Rain tight white powder coated aluminum battery enclosure with locking door and two shelves. This unit is vented. MNBE-D3R holds 8 PVX3050T or 8 golf cart or 8 group 31 batteries. The MNBE-D3R enclosure is type 1 built to 3R (outdoor) specifications.

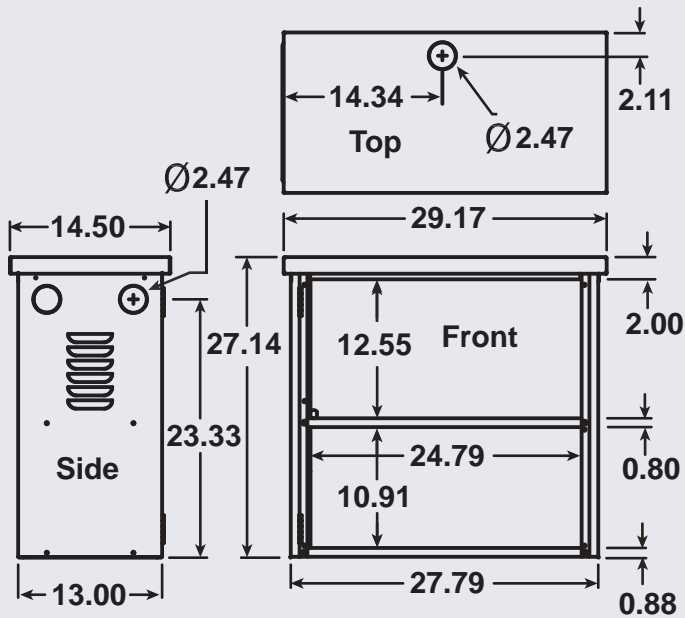
**NOTE: The MNBE-D3R has the same dimensions as the MNBE-D.**

[www.midnitesolar.com](http://www.midnitesolar.com)

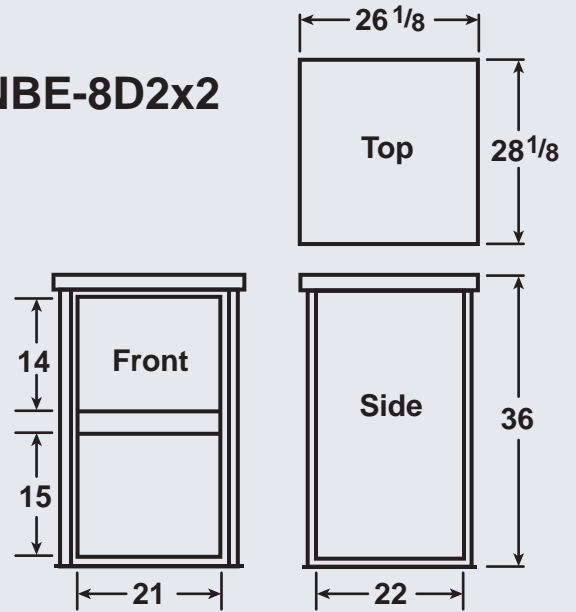
17722 67th Ave. NE., Arlington, WA. 360-403-7207 FAX: 360-691-6862

# Battery Enclosures

## MNBE-A

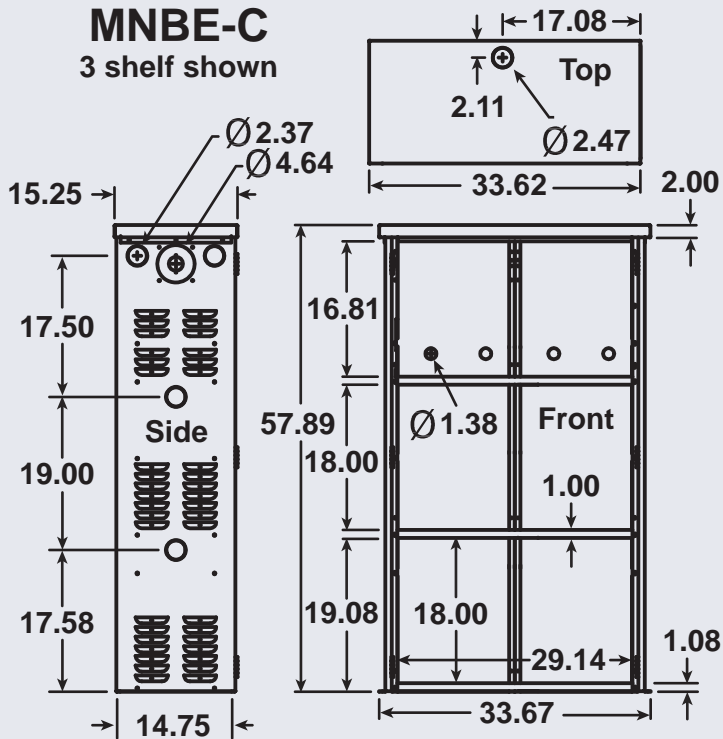


## MNBE-8D2x2

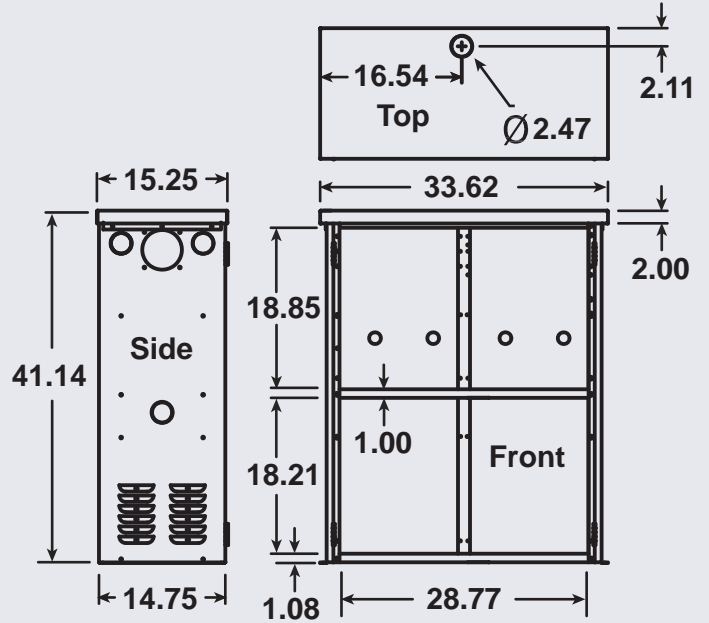


## MNBE-C

3 shelf shown



## MNBE-D 2 shelf shown



## SHELF SIZES

MNBE-A, MNBE-C & MNBE-D

32"L x 12.75"W

MNBE-8D2X2

26"L x 22"W



ETL Listed for US & Canada

17722—67th Ave NE, Unit C, Arlington WA 98223

Ph 360.403.7207 Fax 360.691.6862

<http://www.midnitesolar.com>

