



EndurEnergy Systems, Inc.

Battery Unit

ESP-BU10

Residential Storage Product
Up to 10.24 kWh Battery Packs with BMS



Sense the Difference.
Live the Power.

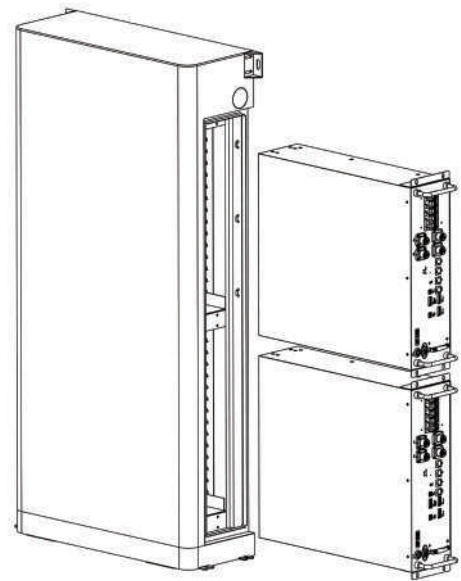
Model	ESP-BU10
Dimensions (H x W x D)	45 x 22.3 x 5.7 inches (1143 x 566.4 x 144.8 mm)
Enclosure Weight	62 lb (28 kg)
Equipment Mounting Capacity	2 ESP-5K HL / 2 ESP-5100
Material	Steel
Color and finish	Gray and Black / Powder Coated
Protection Level	IP55
Warranty	10-Year
Compliance	UL9540, UL1973, CEC and SGIP pending

Configurations (ESP-5100)

Battery Packs In Parallel	1	2
Storage Capacity	100 Ah	200 Ah
Working Voltage	48V - 56V	48V - 56V
Nominal Energy	5.12 kWh	10.24 kWh
Weight (lb)	163.14 lb	264.55 lb
Weight (kg)	74 kg	120 kg

Configurations (ESP-5K HL)

Battery Packs In Parallel	1	2
Storage Capacity	100 Ah	200 Ah
Working Voltage	48V - 56V	48V - 56V
Nominal Energy	5 kWh	10 kWh
Weight (lb)	163.14 lb	264.55 lb
Weight (kg)	74 kg	120 kg



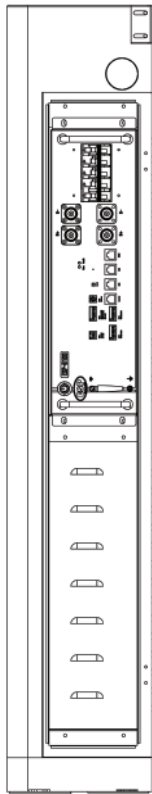
Exploded View

OUTLAST. OUTPERFORM. ENDUR™ IT ALL.

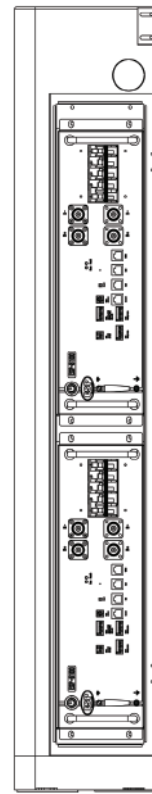


EndurEnergy Systems, Inc.

Mechanical Drawings



1 Battery Pack Configuration



2 Battery Packs Configuration

⚡ **OUTLAST. OUTPERFORM. ENDUR™ IT ALL.** ⚡