

RT-**APEX**TM

The Most Advanced PV Mounting Featuring Roof Tech's AlphaSealTM Technology



- ✓ Universal Clamping 30-46mm
- ✓ Slide-In Mounting
- ✓ One-Step Leveling
- ✓ Integrated Flexible Flashing



Installation Manual RT-APEX Span Calculator



Roof Tech
The Standard for Waterproof Flexible Flashing Since 1994
www.roof-tech.us info@roof-tech.us



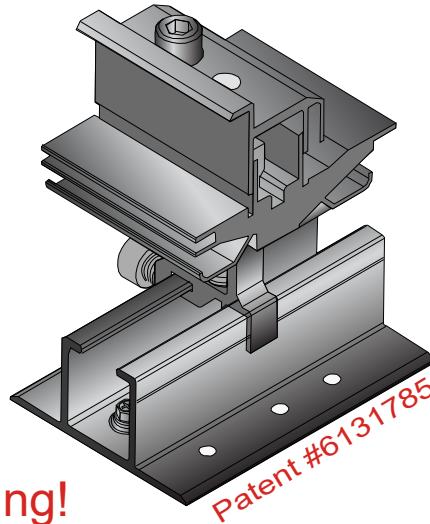
RT-APEX™

The RT-APEX Installs On Any Sloped Roofs (Metal, EPDM, TPO, Asphalt)



Material Description

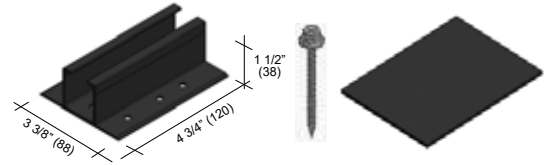
Base	
Clamps	Anodized Aluminum
Skirt	
Hardware	Stainless Steel
Flexible Flashing	RT Butyl (ICC ESR 3575)



Patent #6131785

Items & Part Numbers

RT-APEX Base (RT3-00-AXBK)



RT-APEX Base; 24 ea.

RT2-04-SD5-60 Screws; 100 ea.

Additional RT-Butyl (RT3-04-Butyl); 12 ea.

Middle Clamp (RT3-02-UM30); 12 ea.

Middle Clamp Splice (RT3-02-UMS30); 12 ea.

Middle Floating Splice (RT3-02-UMFS30); 16 ea.



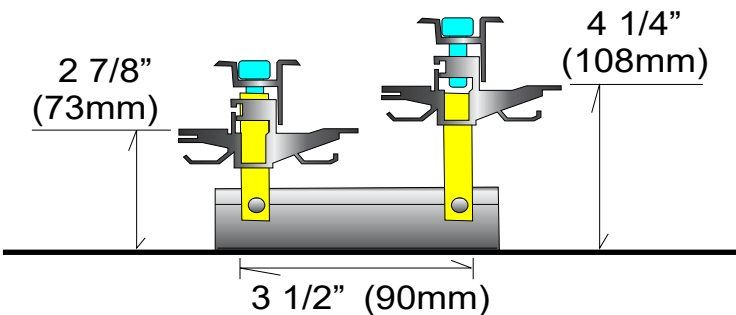
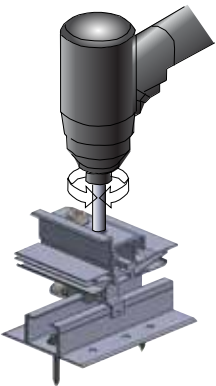
End Clamp (RT3-01-UE-30); 12 ea.

End Clamp Splice (RT3-01-UES30); 12 ea.

End Floating Splice (RT3-01-UEFS30); 16 ea.



One-Step Leveling!



Additional Options for the RT-APEX

RT-APEX Skirt (RT3-03-SK80BL)
80inch; 8 ea.



Skirt End Caps (RT3-04-SKCAP)
L+R & 2 screws/set; 120 bags/box



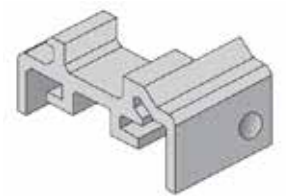
Skirt Bonding Splice (RT3-04-SKSSL-20); 24 ea.



Self-tapping Screw M4x16 (RT3-04-M4-16S); 100 ea.



SUMO Clip (RT3-04-SNCLSL); 30 ea.



Roof Tech US Inc.

www.roof-tech.us

info@roof-tech.us

10620 Treena St. Suite 230, San Diego, CA 92131

858.935.6064

January 2022